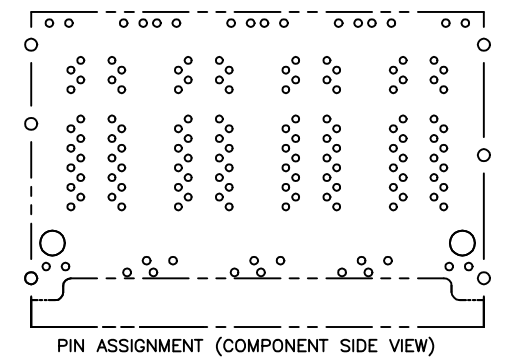
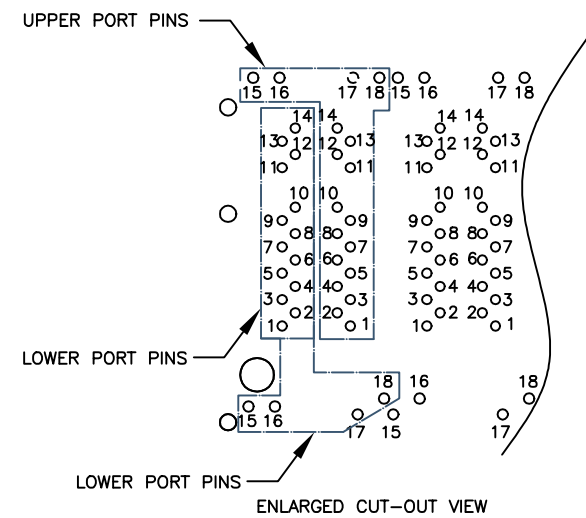
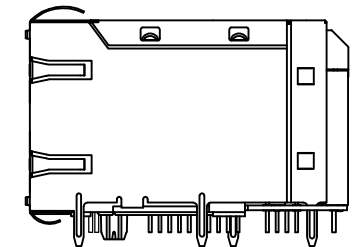
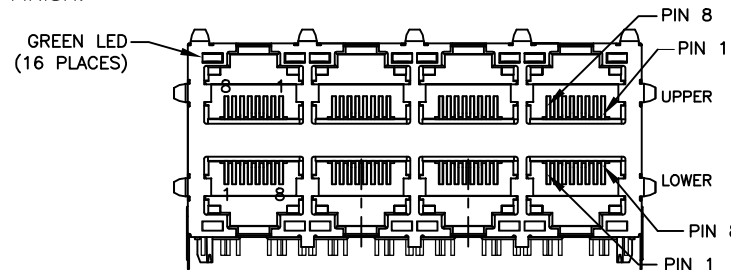
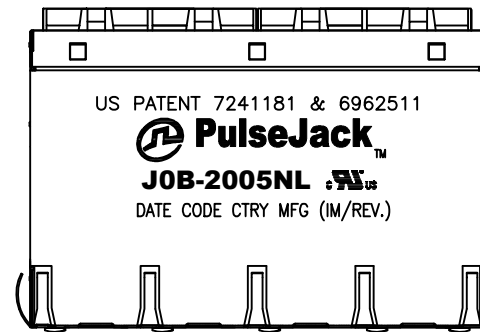


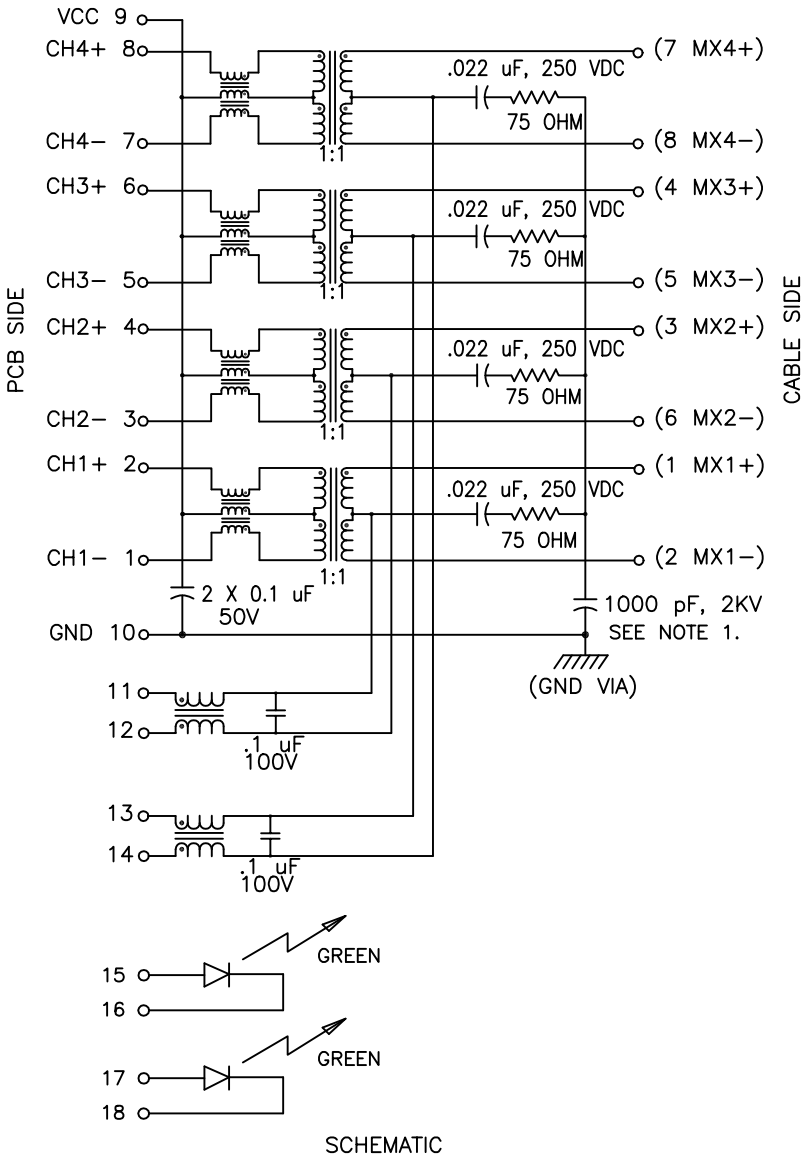
NOTES:

1. ROHS COMPLIANT
2. PLASTIC HOUSING: THERMOPLASTIC MATERIAL WITH FLAMMABILITY RATING UL 94V-0 OR BETTER.
3. CONTACTS PLATING: 30 MICROINCHES GOLD PLATING.
4. CONTACTS BASE MATERIAL: PHOSPHOR BRONZE
5. UNDER PLATING: 30-50 MICROINCHES DUCTILE NICKEL.
6. SOLDER TAIL PLATING : 200-500 MICROINCHES 100% TIN, MATTE FINISH.
7. METAL SHIELD: NICKEL PLATING ON COPPER ALLOY.
8. JACK CAVITY CONFORMS TO FCC PART 68 SUBPART.
9. PCB PLATING: HASL (TOP PCB), ENIG (BOTTOM PCB)
10. STORAGE TEMPERATURE: -20°C TO +125°C
11. COMPLIANCE TO J-STD:
 - A. J-STD-002: SOLDERABILITY AT 245°C DIP AND LOOK TEST
 - B. J-STD-020: LEVEL 1, NO MOISTURE SENSITIVE
 - C. J-STD-075: W2, 270°C MAXIMUM THROUGH WAVE SOLDER



© Copyright, 2015. Pulse Electronics Corp. All rights reserved. Pulse confidential & proprietary. (04/13/15)

PRODUCT DESCRIPTION	TLA DRAWING	PS DRAWING	SHEET	PART NO.	DATASHEET REV.
CONN,RJ45,2X4,2.5GPP,1:1,TY	JOB-2005NL-P1	PS-XXXX.XXX	1 OF 4	JOB-2005NL	A



ELECTRICAL CHARACTERISTICS AT +25°C UNLESS OTHER SPECIFIED
MEETS IEEE 802.3 SPECIFICATION

PARAMETER	SPECIFICATIONS	
OPERATING TEMPERATURE	0°C TO +70°C	
URNS RATIO	1.00 ± 2%	
POLARITY	PER SCHEMATIC	
INSERTION LOSS (SDD21&SDD12)	1-50 MHz	50-125 MHz
	-0.5 dB MAX	-1.0 dB MAX
PHY-SIDE RETURN LOSS (SDD11 - Zref = 100 OHMS ± 1%)	1 MHz-40 MHz	40 MHz-200 MHz
	-20 dB MIN	-20+15*LOG ₁₀ (f/40) dB MIN
LINE-SIDE RETURN LOSS (SDD22 - Zref = 100 OHMS ± 1%)	1 MHz-40 MHz	40 MHz-200 MHz
	-20 dB MIN	-20+15*LOG ₁₀ (f/40) dB MIN
INDUCTANCE (OCL)	120 uH MIN @ 100 kHz, 100 mV WITH 11 mA DC BIAS	
CROSSTALK, ADJACENT CHANNELS (SDD21 - ADJ.)	1-125 MHz	
	-30 dB MIN	
COMMON MODE REJECTION RATIO (SCC21)	30 MHz-200 MHz -30 dB MIN	
COMM. TO DIFF. REJECTION RATIO (SDC12)	10 MHz-125 MHz -45+f/35 dB MIN	
DC CURRENT/VOLTAGE RATING	720 mA MAX @ 54 V (CONTINUOUS)	
INPUT - OUTPUT ISOLATION	1500 VRMS MIN @ 60 SECONDS	

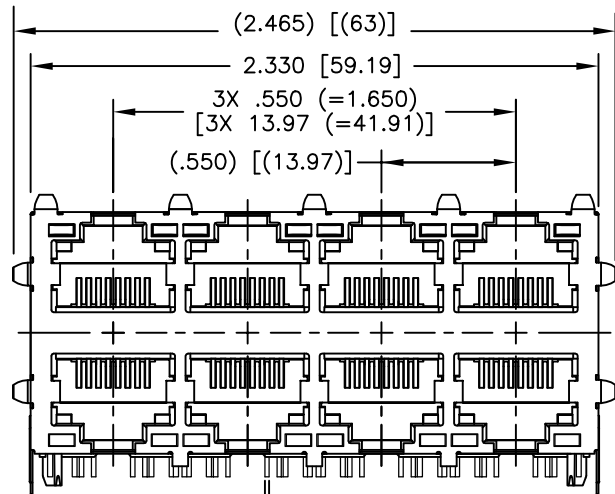
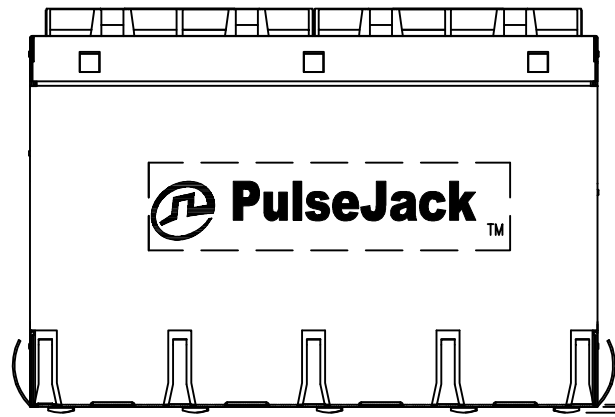
NOTE: f IS FREQUENCY IN MHZ.

EMMITTED COLOR	GREEN
WAVELENGTH (nm)	570 nm
BRIGHTNESS (mCD)	8.5 TYP. @ 20mA
VIEWING ANGLE	100°
POWER DISSIPATION (Pd)	85 mW MAX
DC FORWARD CURRENT	2.2 VOLTS TYP, 2.6 VOLTS MAX
REVERSE VOLTAGE (Vr)	5.0 V MAX

NOTE: PER VENDOR'S SPECIFICATIONS

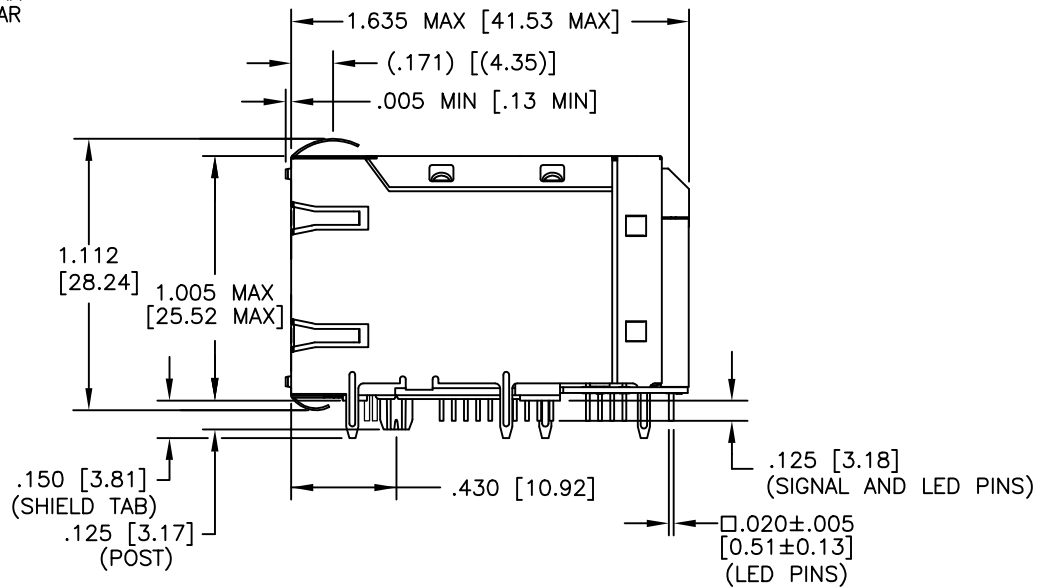
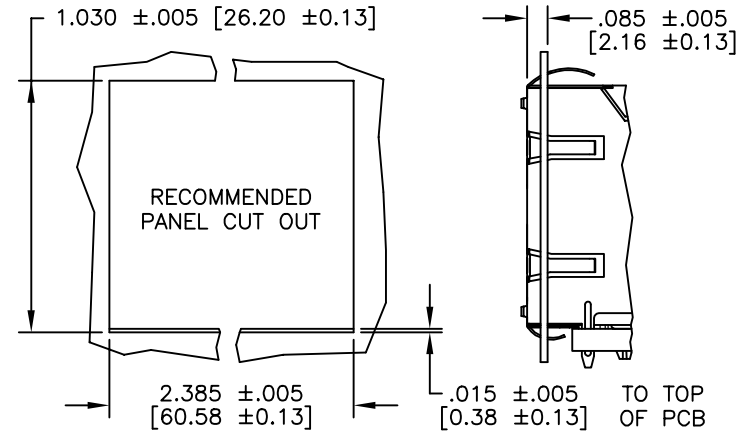
© Copyright, 2015. Pulse Electronics Corp. All rights reserved. Pulse confidential & proprietary. (04/13/15)

PRODUCT DESCRIPTION	TLA DRAWING	PS DRAWING	SHEET	PART NO.	DATASHEET REV.
CONN,RJ45,2X4,2.5GPP,1:1,TY	JOB-2005NL-P1	PS-XXXX.XXX	2 OF 4	JOB-2005NL	A



$\phi.018 \pm .005 [0.46 \pm 0.13]$
(SIGNAL PINS)

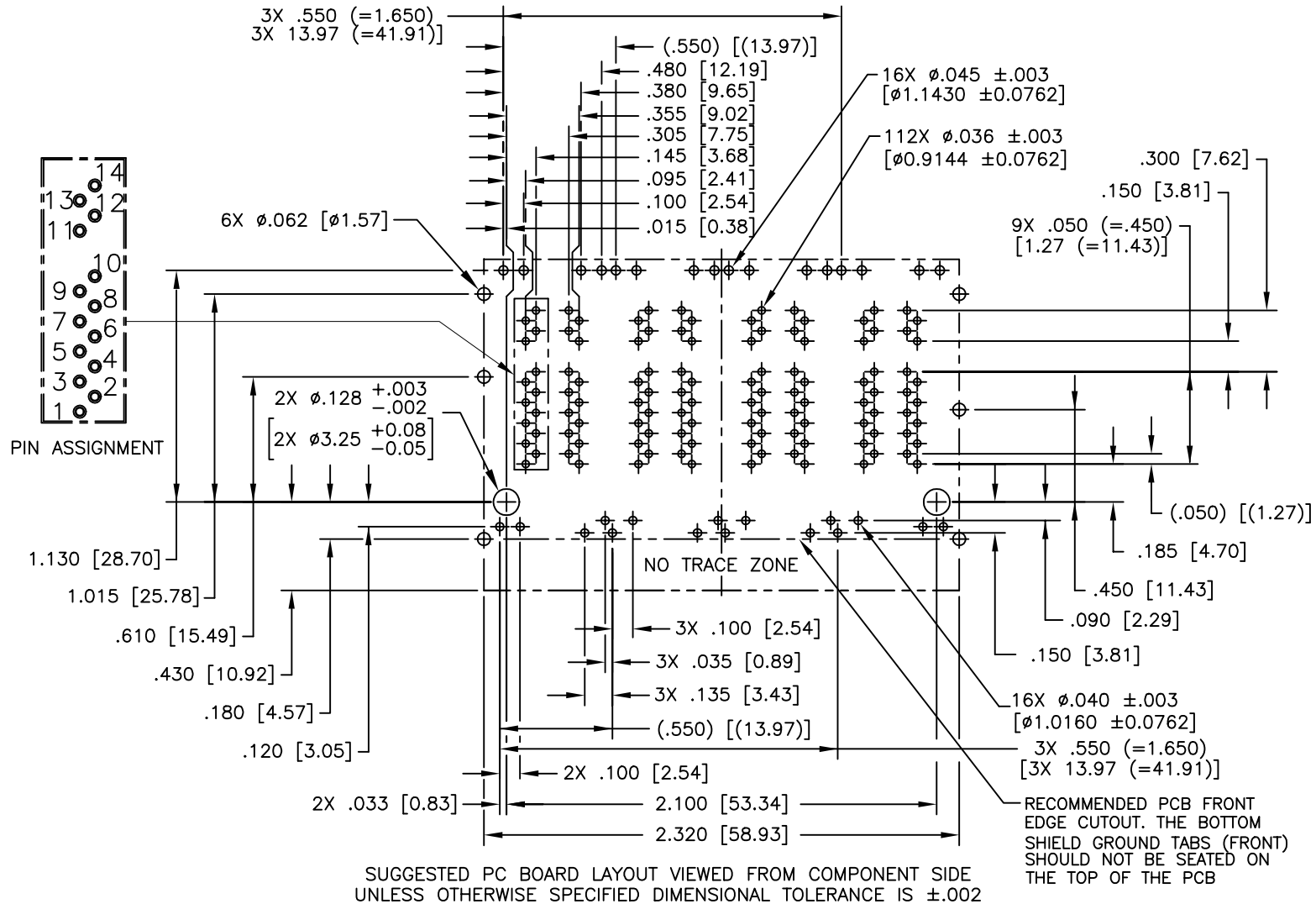
$.025 [0.63]$
8 SURFACES
 $.010 [0.25]$ MAX
SHIELD CROSSBAR
BULGING



DIMENSIONS ARE IN INCHES [MILLIMETERS] WITH THE FOLLOWING TOLERANCES: [MILLIMETERS] ARE FOR REFERENCE ONLY.
 .XX= $\pm .02 [\pm 0.5]$
 .XXX= $\pm .010 [\pm 0.25]$

© Copyright, 2015. Pulse Electronics Corp. All rights reserved. Pulse confidential & proprietary. (04/13/15)

PRODUCT DESCRIPTION	TLA DRAWING	PS DRAWING	SHEET	PART NO.	DATASHEET REV.
CONN,RJ45,2X4,2.5GPP,1:1,TY	JOB-2005NL-P1	PS-XXXX.XXX	3 OF 4	JOB-2005NL	A



DIMENSIONS ARE IN INCHES [MILLIMETERS] WITH THE FOLLOWING
TOLERANCES: [MILLIMETERS] ARE FOR REFERENCE ONLY.
.XX= \pm .02 [\pm 0.5]
.XXX= \pm .010 [\pm 0.25]

© Copyright, 2015. Pulse Electronics Corp. All rights reserved. Pulse confidential & proprietary. (04/13/15)

PRODUCT DESCRIPTION	TLA DRAWING	PS DRAWING	SHEET	PART NO.	DATASHEET REV.
CONN,RJ45,2X4,2.5GPP,1:1,TY	JOB-2005NL-P1	PS-XXXX.XXX	4 OF 4	JOB-2005NL	A