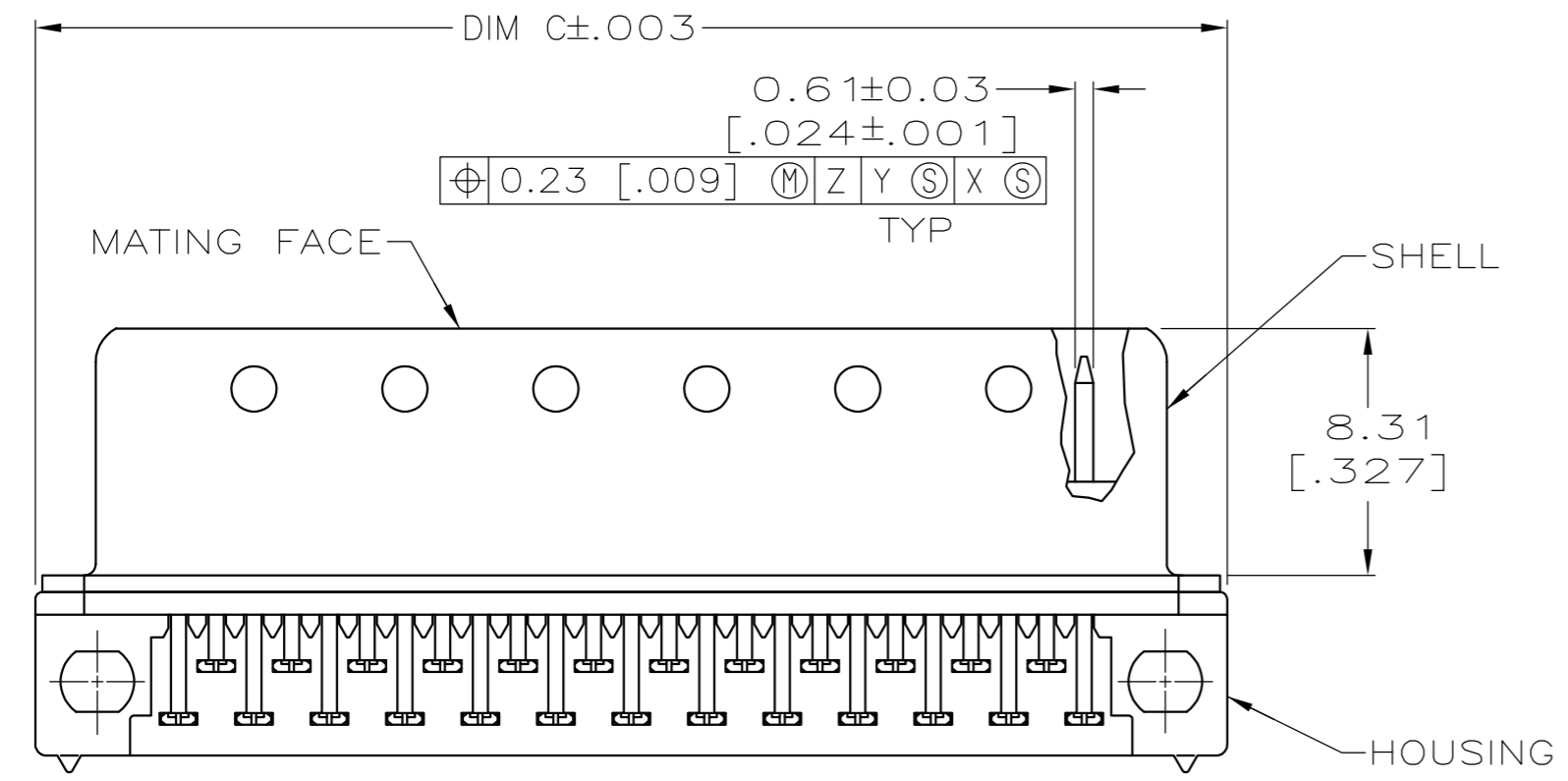
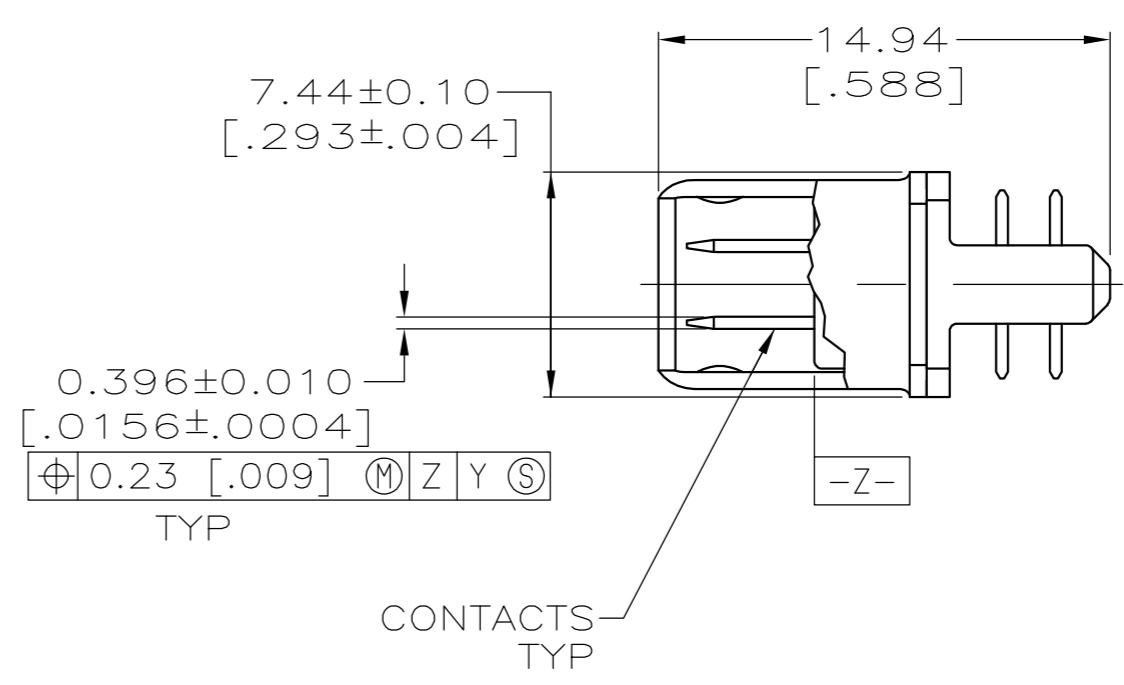
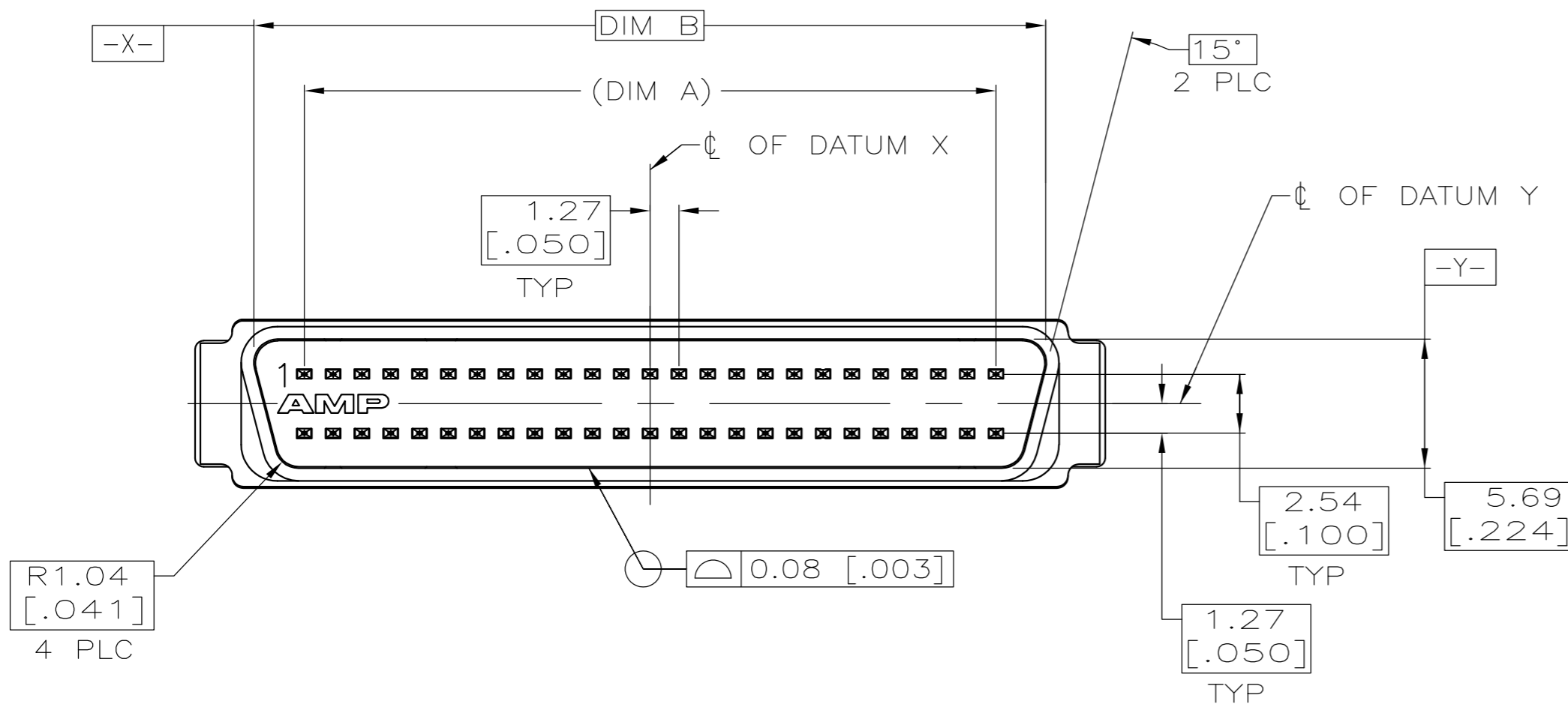


THIS DRAWING IS UNPUBLISHED. RELEASED FOR PUBLICATION
 © COPYRIGHT BY TYCO ELECTRONICS CORPORATION. ALL RIGHTS RESERVED.

LOC		DIST		REVISIONS			
P	LTR	DESCRIPTION		DATE	DWN	APVD	
GP	00	C		REVISED PER ECO-11-001216	08FEB2011	CJV	SLB



- 1 MATERIAL
HOUSING: NYLON OR POLYESTER, UL 94V-0 RATED, COLOR BLACK.
CONTACTS: PHOSPHOR BRONZE.
SHELL: CARBON STEEL.
- 2 FINISH
CONTACTS: 0.76µm [.000030] MIN GOLD PLATE OR GOLD FLASH OVER PALLADIUM NICKEL PLATE, 0.76µm [.000030] MIN TOTAL FOR A LENGTH OF 3.35 [.132] MIN FROM MATING END, 3.00µm [.000118] MIN TIN ON OPPOSITE END, ALL OVER 1.27µm [.000050] MIN NICKEL ON ENTIRE CONTACT.
SHELL: 0.00025 [.000010] MIN TIN-NICKEL OVER 0.00381 [.000150] MIN NICKEL OVER 0.00254 [.000100] MIN COPPER.
- 3. RECOMMENDED WIRE: 28 AWG OR 30 AWG, SOLID OR 7 STRAND, PVC INSULATION WITH A 0.74-0.91 [.029-.036] INSULATION DIAMETER.
- 4 OBSOLETE

31.22 [1.229]	25.96 [1.022]	21.59 [.850]	36	5749110-4
24.87 [.979]	19.61 [.772]	15.24 [.600]	26	5749110-2
40.11 [1.579]	34.85 [1.372]	30.48 [1.200]	50	5749110-1
DIM C	DIM B	DIM A	NO OF POS	PART NUMBER

THIS DRAWING IS A CONTROLLED DOCUMENT.		DWN J.GERACE 11APR05	Tyco Electronics Corporation Harrisburg, PA 17105-3608	
DIMENSIONS: mm [INCHES]		CHK S.SHUEY 11APR05	NAME	
TOLERANCES UNLESS OTHERWISE SPECIFIED:		APVD M.WALMSLEY 11APR05	PRODUCT SPEC	
0 PLC ± -		108-1228		
1 PLC ± -		APPLICATION SPEC		
2 PLC ± 0.13 [.005]		114-40029		
3 PLC ± -		SIZE A2		
4 PLC ± -		CAGE CODE 00779		
ANGLES ± -		DRAWING NO C=5749110		
FINISH		RESTRICTED TO		
1		SCALE 4:1 SHEET 1 OF 1 REV C		
2		CUSTOMER DRAWING		