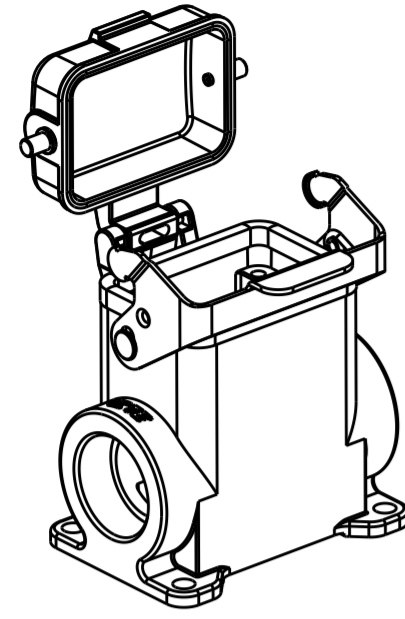
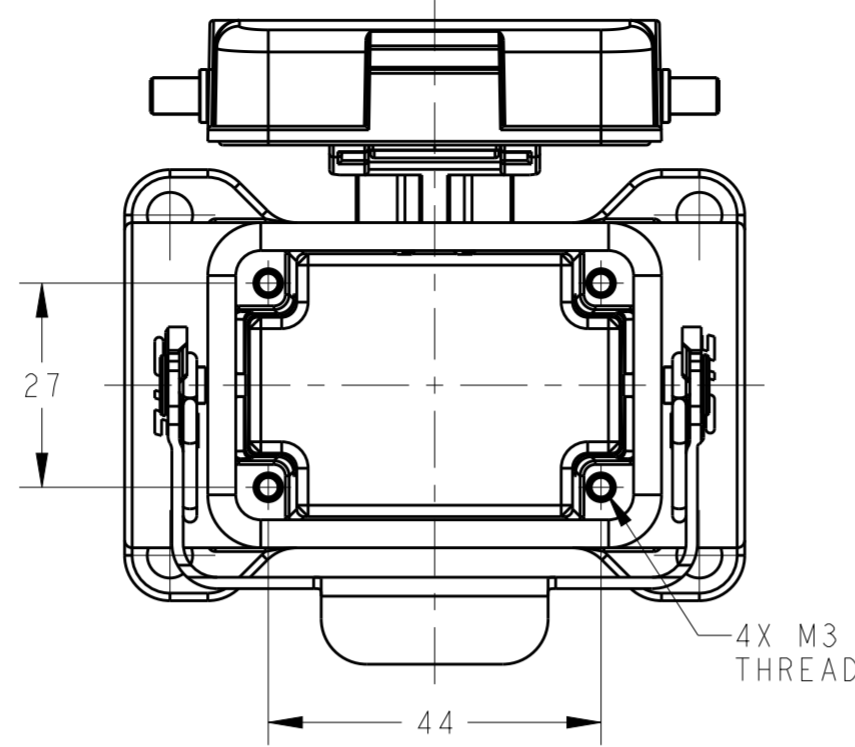


THIS DRAWING IS UNPUBLISHED. RELEASED FOR PUBLICATION 20
 © COPYRIGHT 20 BY - ALL RIGHTS RESERVED.

REVISIONS				
P	LTR	DESCRIPTION	DATE	APVD
	A	INITIAL	23JUN2015	DW CW

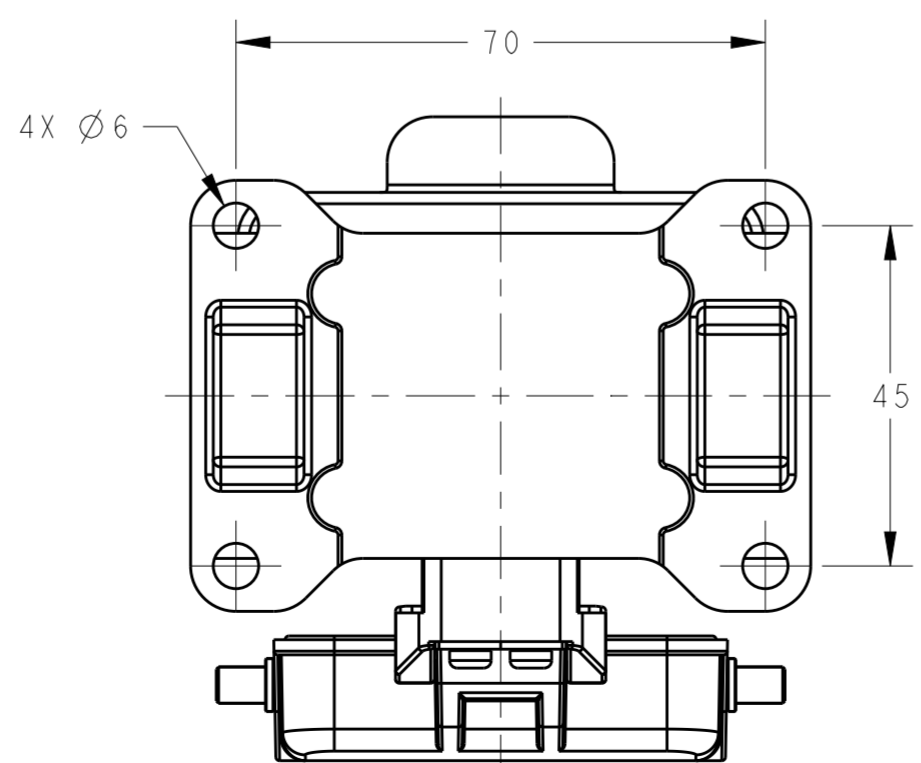
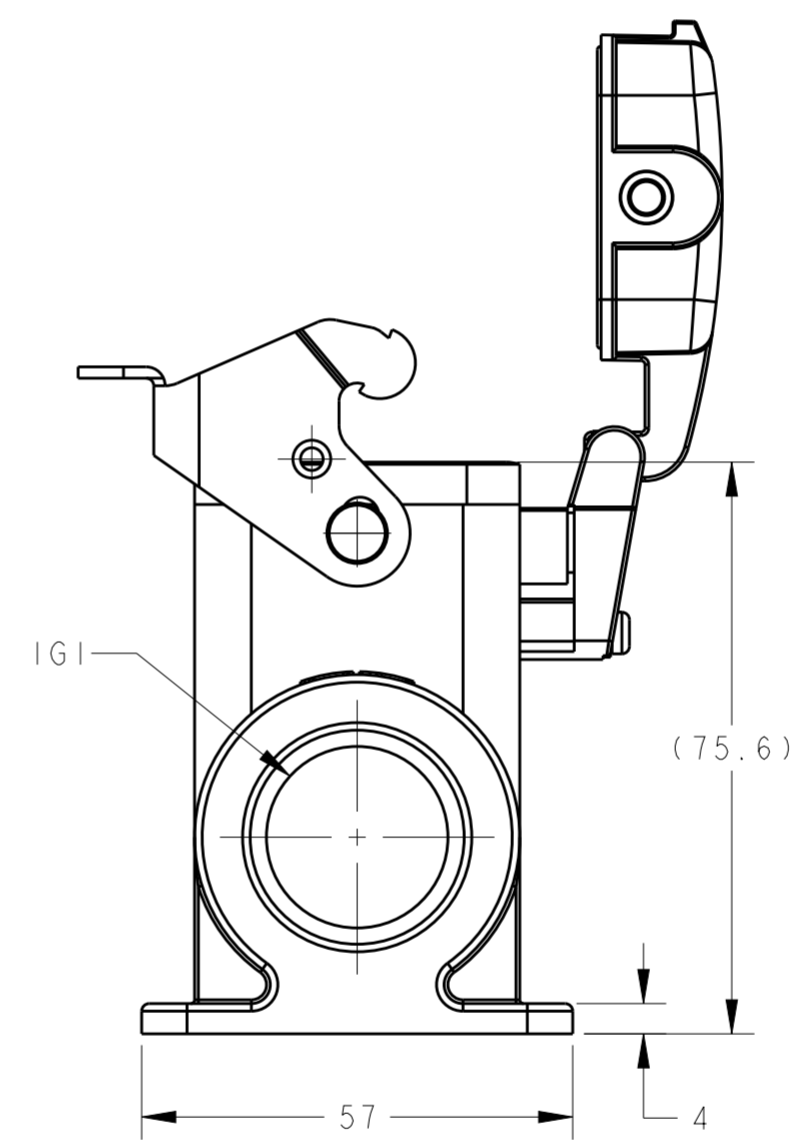
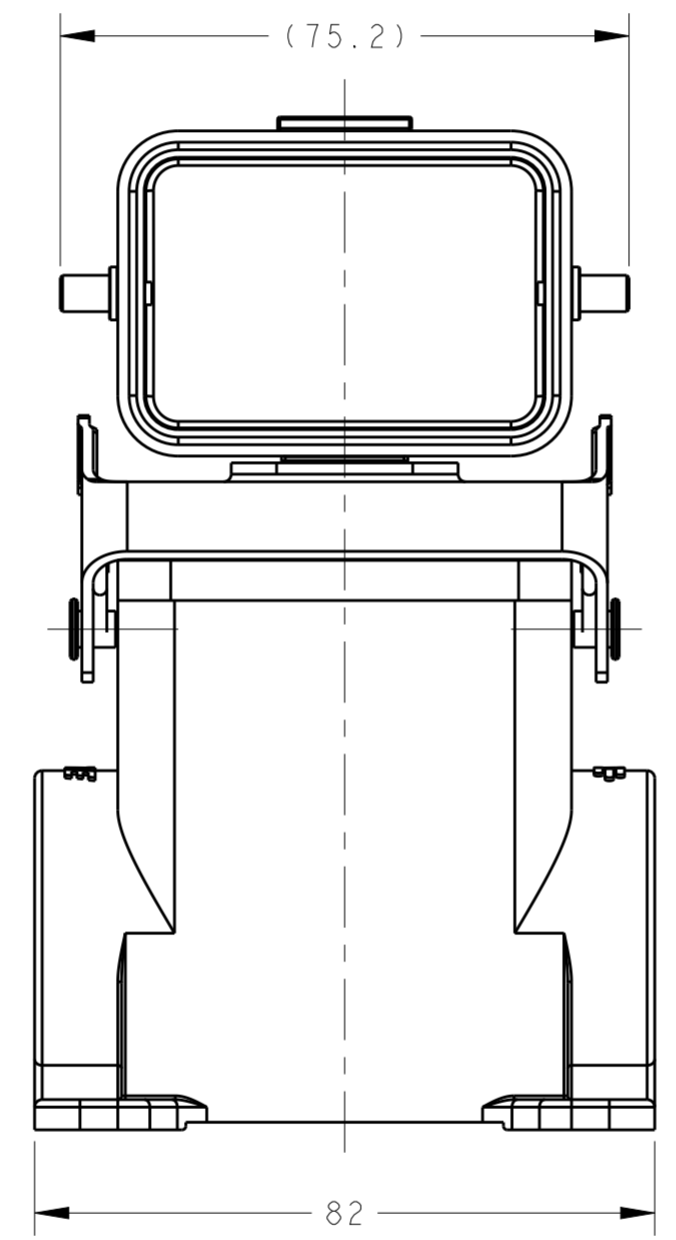
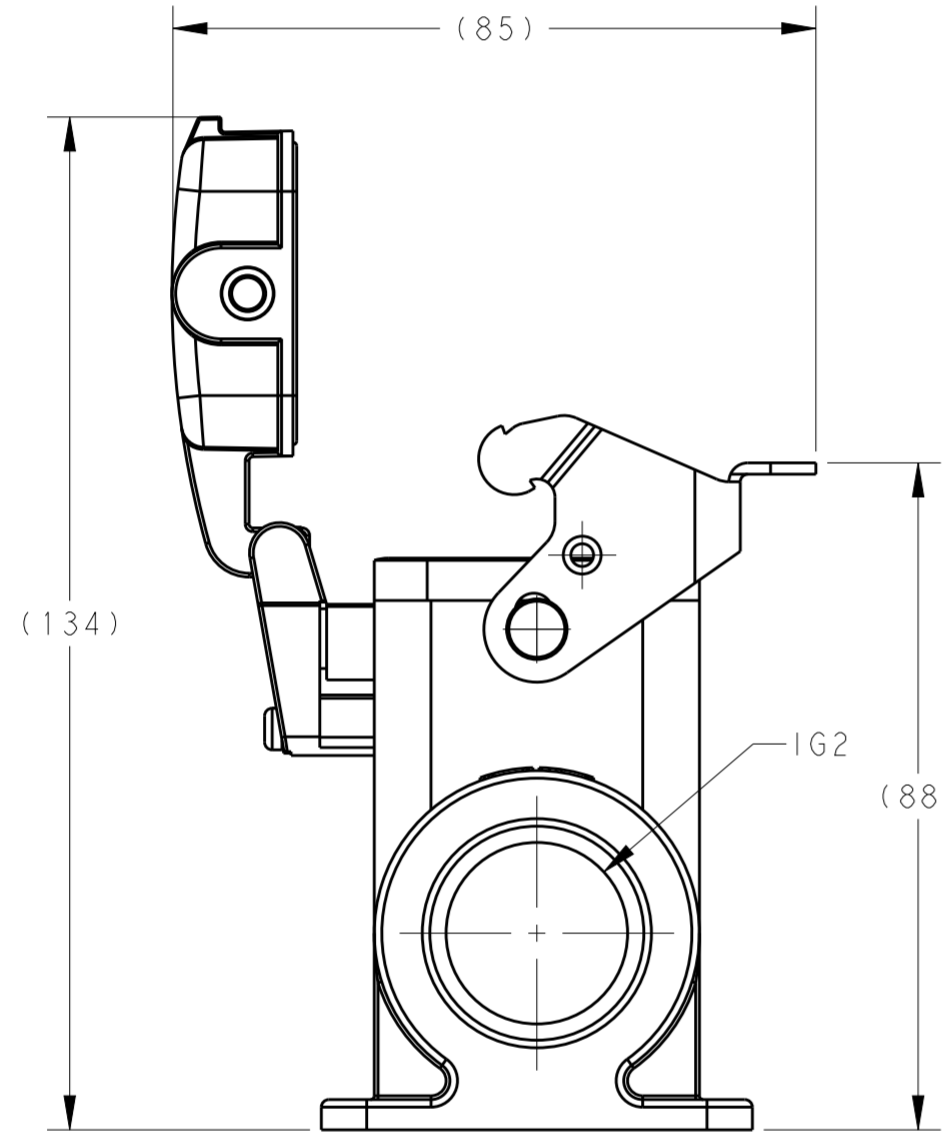


SCALE 1:2



NOTES:
 1. TECHNICAL CHARACTERISTICS:
 HOUSING MATERIAL: DIE CAST ALUMINIUM ALLOY
 SURFACE: POWDER COATED, GREY
 OPERATION TEMPERATURE: -40-+125°C
 DEGREE OF PROTECTION: IP65 (MATED)

注释:
 1. 技术参数:
 表面安装下壳材料: 铝合金
 表面处理: 粉末涂层, 灰色
 工作温度: -40-+125°C
 防护等级: IP65(配合)



PART NUMBER	DESCRIPTION	IG1	IG2
T1660063321-000	H6B-SDRHM-PG21	PG21	-
T1660063329-000	H6B-SDRHM-PG29	PG29	-
T1660063332-000	H6B-SDRHM-M32	M32	-
T1660060220-000	H6B-SDRHM-2M20	M20	M20
T1660063421-000	H6B-SDRHM-2PG21	PG21	PG21
T1660063429-000	H6B-SDRHM-2PG29	PG29	PG29
T1660063432-000	H6B-SDRHM-2M32	M32	M32

THIS DRAWING IS A CONTROLLED DOCUMENT.

DIMENSIONS: mm	TOLERANCES UNLESS OTHERWISE SPECIFIED: 0 PLC ± 1 PLC ± 2 PLC ± 3 PLC ± 4 PLC ± ANGLES ± FINISH	DWN 23JUN2015 David Wang	TE Connectivity
		CHK 23JUN2015 Chris Wang	
MATERIAL -	-	APVD 23JUN2015 Xiang Xu	PRODUCT SPEC 108-137013
		Customer Drawing	APPLICATION SPEC 114-137013
		WEIGHT -	SIZE CAGE CODE DRAWING NO RESTRICTED TO A200779 C-T166006XXXX000 -
		SCALE 1:1	SHEET 1 OF 1 REV A