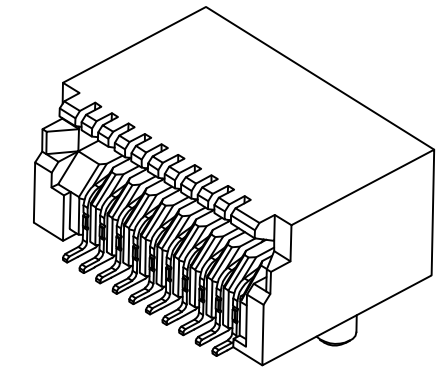
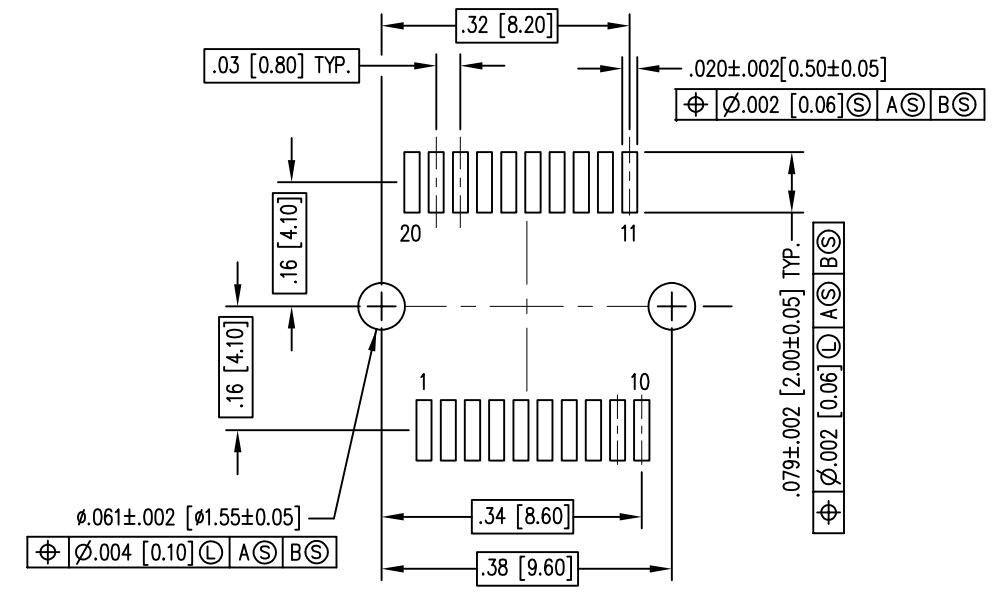
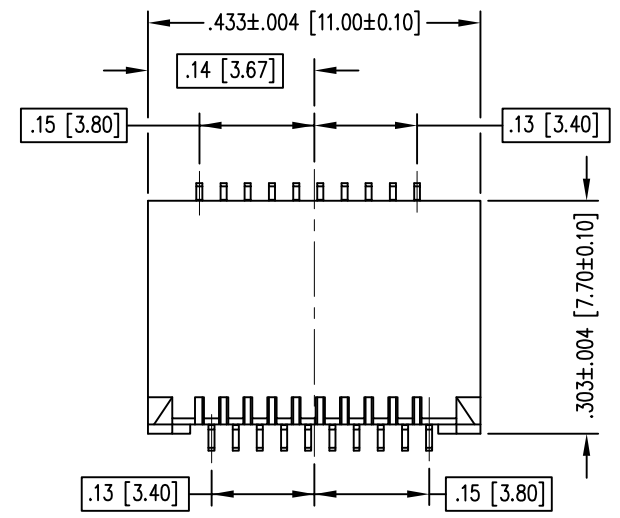
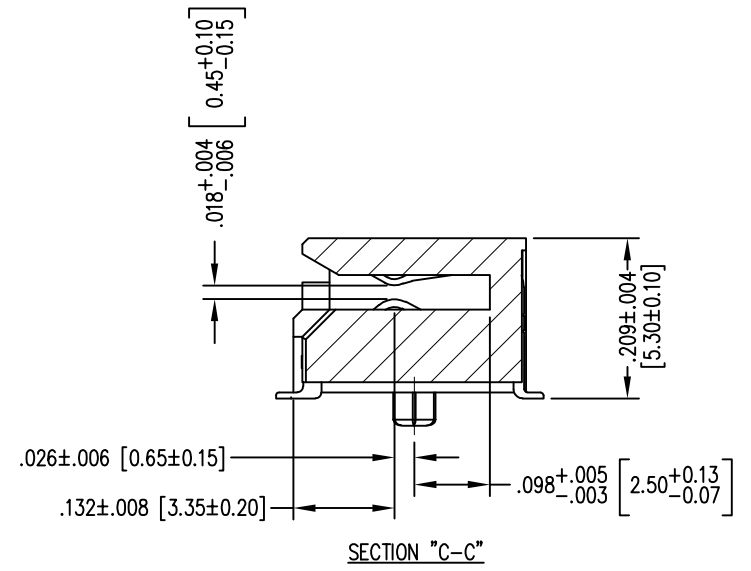
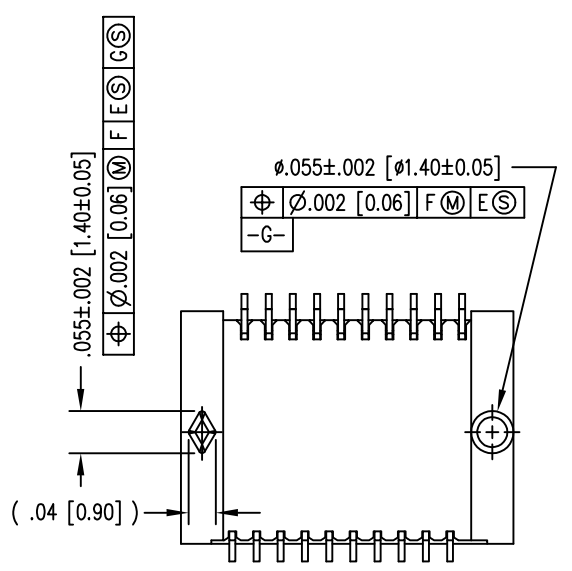
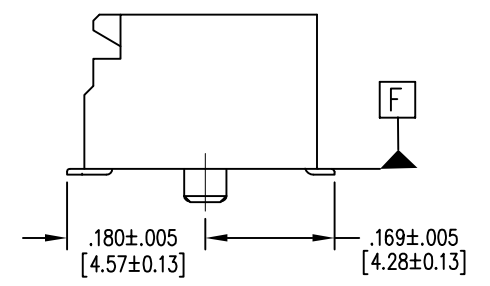
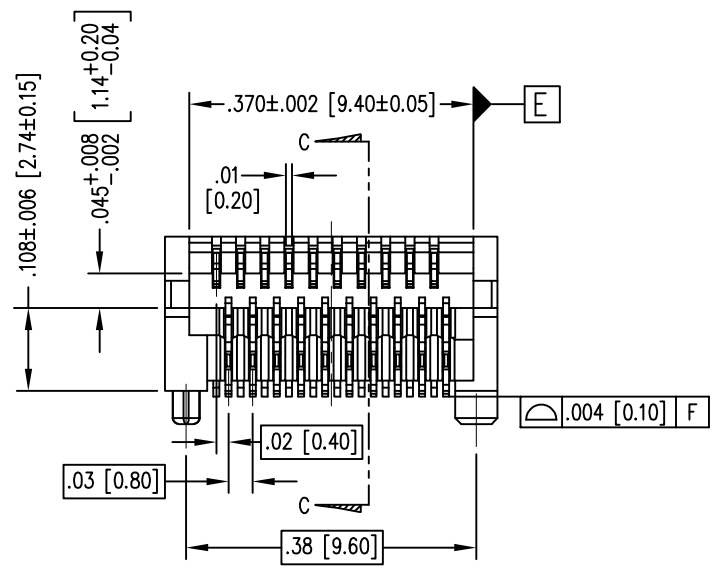


DATE	REV	ECN	APP'D. BY
7-24-17	A1	11049	TRM



- NOTES:
- MATERIALS:
TERMINAL: COPPER ALLOY
HOUSING: LCP UL 94 V-0. COLOR: BLACK
 - PLATING:
MATTE TIN PLATING ON SMT.
GOLD PLATING IN CONTACT AREA - SEE CHART
 - ENVIRONMENTAL:
OPERATIONAL: -40°C~+85°C
STORAGE: -55°C~+105°C
RATED AT MAX. 260°C FOR MAX. 10 SECS.
 - FOR PRODUCT SPECIFICATIONS SEE PR043-01.



15 MICRO-INCHES [0.38um]	SS-79100-013
30 MICRO-INCHES [0.76um]	SS-79100-004
CONTACT PLATING IN MATING AREA	PART NUMBER

THIRD ANGLE PROJECTION

DRAWING IS SUBJECT TO CHANGE WITHOUT NOTICE

UNLESS OTHERWISE SPECIFIED DIMENSIONS INCHES [METRIC] TOLERANCES ARE:

ANGLES ± 2°

1 PLC. DEC. ±.008" [±0.20]

2 PLC. DEC. ±.004" [±0.10]

3 PLC. DEC. ±.002" [±0.05]

DO NOT SCALE DRAWING

SHEET NO. 1 OF 2



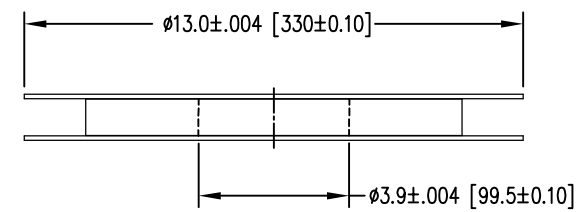
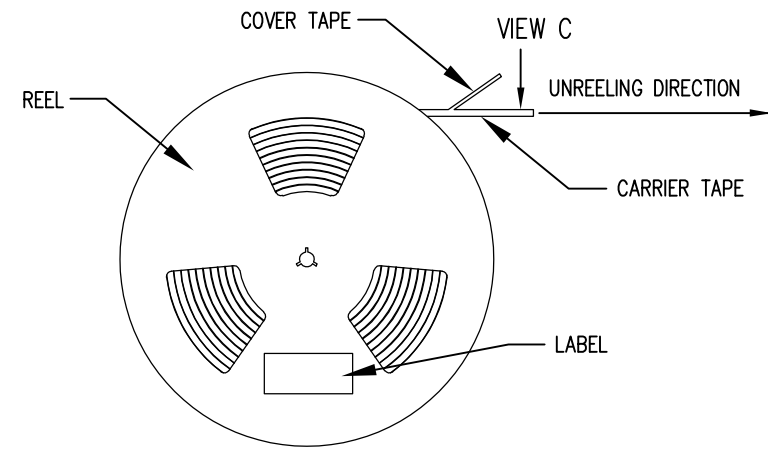
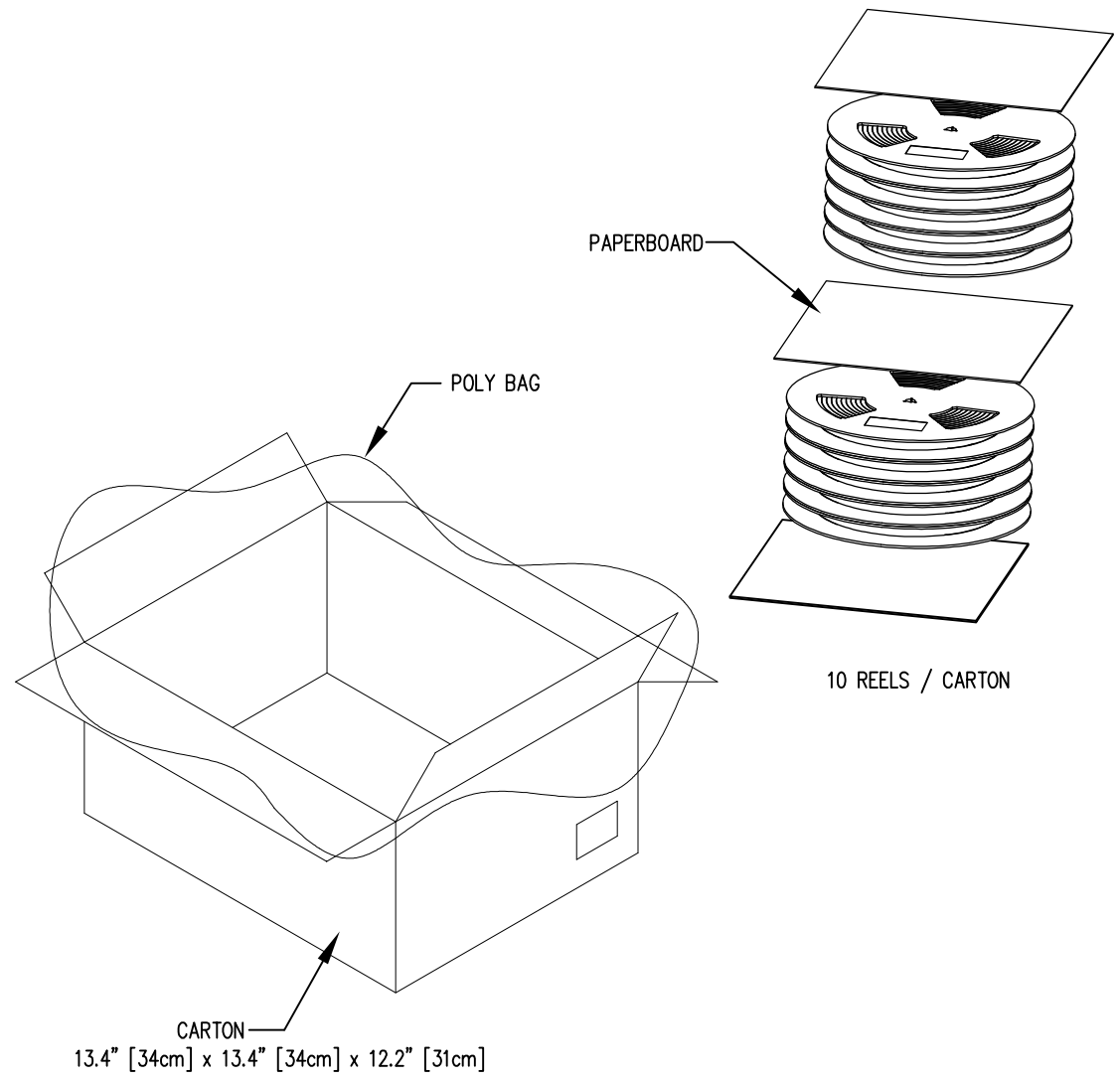
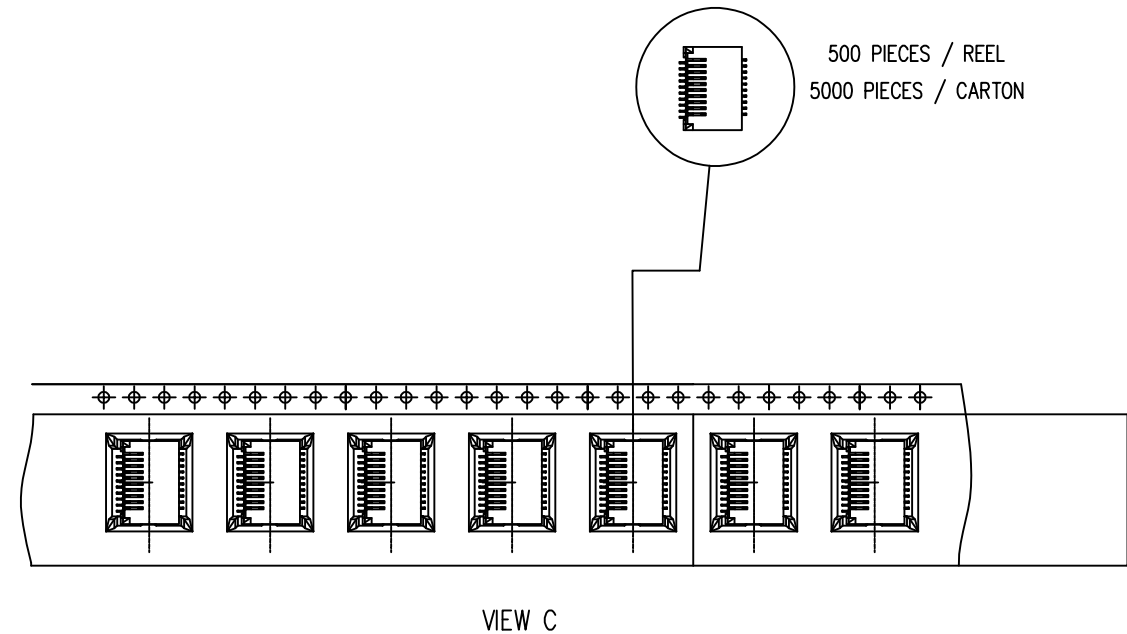
1118 Susquehanna Trail South
Glen Rock, PA 17327-9199
(717) 235-7512
<http://www.stewartconnector.com>

TITLE: SFP+ CONNECTOR ASSEMBLY, 20 POSITION, SURFACE MOUNT

THIS DRAWING AND THE SUBJECT MATTER SHOWN THEREON ARE CONFIDENTIAL AND THE PROPRIETARY PROPERTY OF STEWART CONNECTOR AND SHALL NOT BE REPRODUCED, COPIED, OR USED IN ANY MANNER WITHOUT PRIOR WRITTEN CONSENT OF STEWART CONNECTOR. ONE OR MORE U.S. PATENTS MAY APPLY TO THIS PRODUCT. FOR DETAILS, PLEASE VISIT: [HTTP://BELFUSE.COM/STEWART/STEWART_PATENTS/](http://BELFUSE.COM/STEWART/STEWART_PATENTS/)

DRN BY: TRM	DATE: 6-6-17
APPD BY: DHG	DATE: 6-30-17
DWG NO. CT790004	REV. A1





THIRD ANGLE PROJECTION	
DRAWING IS SUBJECT TO CHANGE WITHOUT NOTICE	
UNLESS OTHERWISE SPECIFIED DIMENSIONS INCHES [METRIC]	
TOLERANCES ARE:	
ANGLES ± 2°	
1 PLC. DEC. ±.008" [±0.20]	
2 PLC. DEC. ±.004" [±0.10]	
3 PLC. DEC. ±.002" [±0.05]	
DO NOT SCALE DRAWING	
SHEET NO.	2 OF 2

<p>1118 Susquehanna Trail South Glen Rock, PA 17327-9199 (717) 235-7512 http://www.stewartconnector.com</p>	TITLE: SFP+ CONNECTOR ASSEMBLY, 20 POSITION, SURFACE MOUNT												
	<p>THIS DRAWING AND THE SUBJECT MATTER SHOWN THEREON ARE CONFIDENTIAL AND THE PROPRIETARY PROPERTY OF STEWART CONNECTOR AND SHALL NOT BE REPRODUCED, COPIED, OR USED IN ANY MANNER WITHOUT PRIOR WRITTEN CONSENT OF STEWART CONNECTOR. ONE OR MORE U.S. PATENTS MAY APPLY TO THIS PRODUCT. FOR DETAILS, PLEASE VISIT: HTTP://BELFUSE.COM/STEWART/STEWART_PATENTS/</p>	<table border="1"> <tr> <td>DRN BY:</td> <td>TRM</td> <td>DATE</td> <td>6-6-17</td> </tr> <tr> <td>APPD BY:</td> <td>DHG</td> <td>DATE</td> <td>6-30-17</td> </tr> <tr> <td>DWG NO.</td> <td>CT790004</td> <td>REV.</td> <td>A1</td> </tr> </table>	DRN BY:	TRM	DATE	6-6-17	APPD BY:	DHG	DATE	6-30-17	DWG NO.	CT790004	REV.
DRN BY:	TRM	DATE	6-6-17										
APPD BY:	DHG	DATE	6-30-17										
DWG NO.	CT790004	REV.	A1										