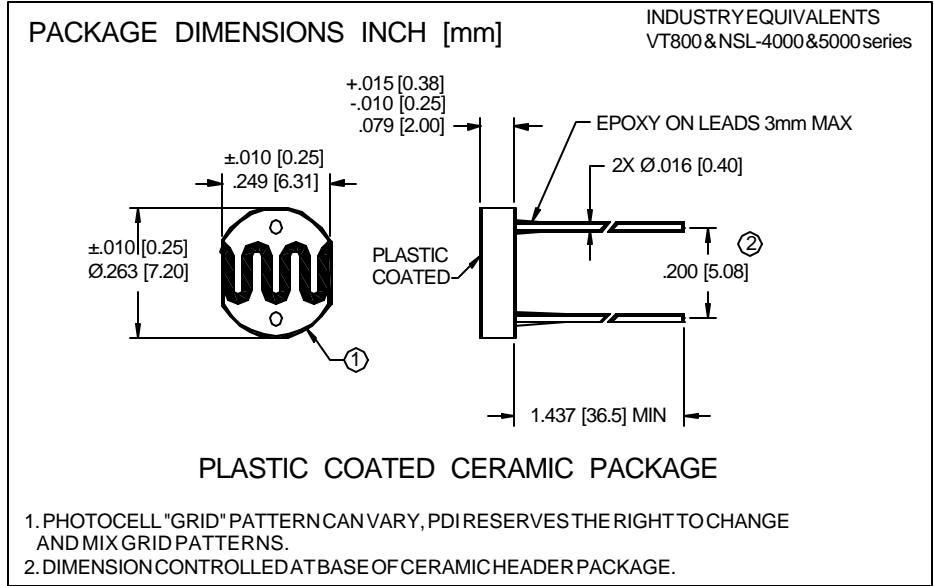


PHOTONIC DETECTORS INC. Cadmium Sulfoselenide (CdS) Photoconductive Photocells Type PDV-P700X



FEATURES

- Visible light response
- Sintered construction
- Low cost
- High Reliability

DESCRIPTION

PDV-P700X are (CdS) photoconductive photocells designed to sense light from 400 nm to 700 nm. As light dependent resistors, they are available in a wide range of resistance values. They are packaged in a two leaded plastic-coated ceramic header.

APPLICATIONS

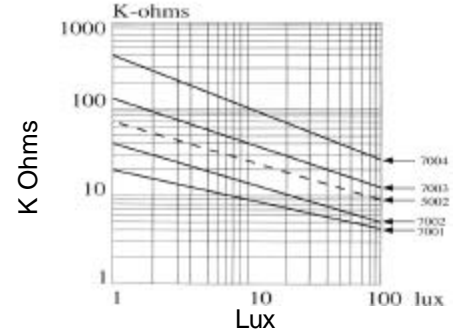
- Audio equipment
- Electronic Toys
- Modulation circuits
- Volume controls

ABSOLUTE MAXIMUM RATING (TA=25°C unless otherwise noted)

SYMBOL	PARAMETER	MIN	MAX	UNITS
V _{PK}	Applied Voltage		350	V dc
P _{dc point}	Continuous Power Dissipation		400	mW/°C
T _{stg} & T _o	Operating Temperature Range & Storage	-30	+75	°C
T _s	Soldering Temperature*		+260	°C

*.200 inch (5 mm) from bottom of header for 3 secs max with heat sink

CELL RESISTANCE VS. ILLUMINANCE



ELECTRO-OPTICAL CHARACTERISTICS TA=25°C (2 HOURS LIGHT ADAPT, MIN)***

MODEL NO.	CELL RESISTANCE** (Ohms)				SENSITIVITY $\frac{\text{LOG}(R_{100})-\text{LOG}(R_{10})}{\text{LOG}(E_{100})-\text{LOG}(E_{10})}$ (λ TYP)	SPECTRAL PEAK (nm) TYP	RESPONSE TIME @10 Lux	
	10 Lux @2856K		DARK				RISE TIME (ms) TYP	FALL TIME (ms) TYP
	MIN (KΩ)	MAX (KΩ)	MIN (MΩ)	SEC				
PDV-P7001	3.6	14.4	0.3	10	0.6	520	50	20
PDV-P7002	4	20	0.5	10	0.65	520	55	20
PDV-P7003	8	24	0.5	10	0.7	520	55	20
PDV-P7004	15	60	0.5	10	0.7	520	60	25
PDV-P7005	50	150	20	10	0.85	520	60	25

Information in this technical data sheet is believed to be correct and reliable. However, no responsibility is assumed for possible inaccuracies or omission. Specifications are subject to change without notice. ** Photocells are light adapted at 100 to 500 Lux. *** Photocells are tested at 2856°K at a 10 Lux [FORM NO. 100-PDV-P7001 REV/N/C] light level. Resistance values are for reference only.