

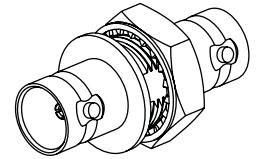
NOTES:

1. MATERIALS AND FINISHES:
 BODY, HEX NUT & LOCK WASHER - BRASS, NICKEL PLATING
 CONTACT - BeCu, GOLD PLATING
 INSULATOR - NORYL
2. ELECTRICAL:
 A. IMPEDANCE: 75 OHM
 B. FREQUENCY RANGE: DC - 2 GHz
 C. DIELECTRIC WITHSTANDING VOLTAGE: 1500 VRMS, MIN.
3. MECHANICAL:
 A. DURABILITY: 500 CYCLES MIN.
 B. TEMPERATURE RANGE: -65° C TO +165° C
4. PACKAGING:
 A. QUANTITY: SINGLE PACK
 B. MARKING: BAG TO BE MARKED
 "AMPHENOL RF, 31-4803-75, AND DATE CODE"

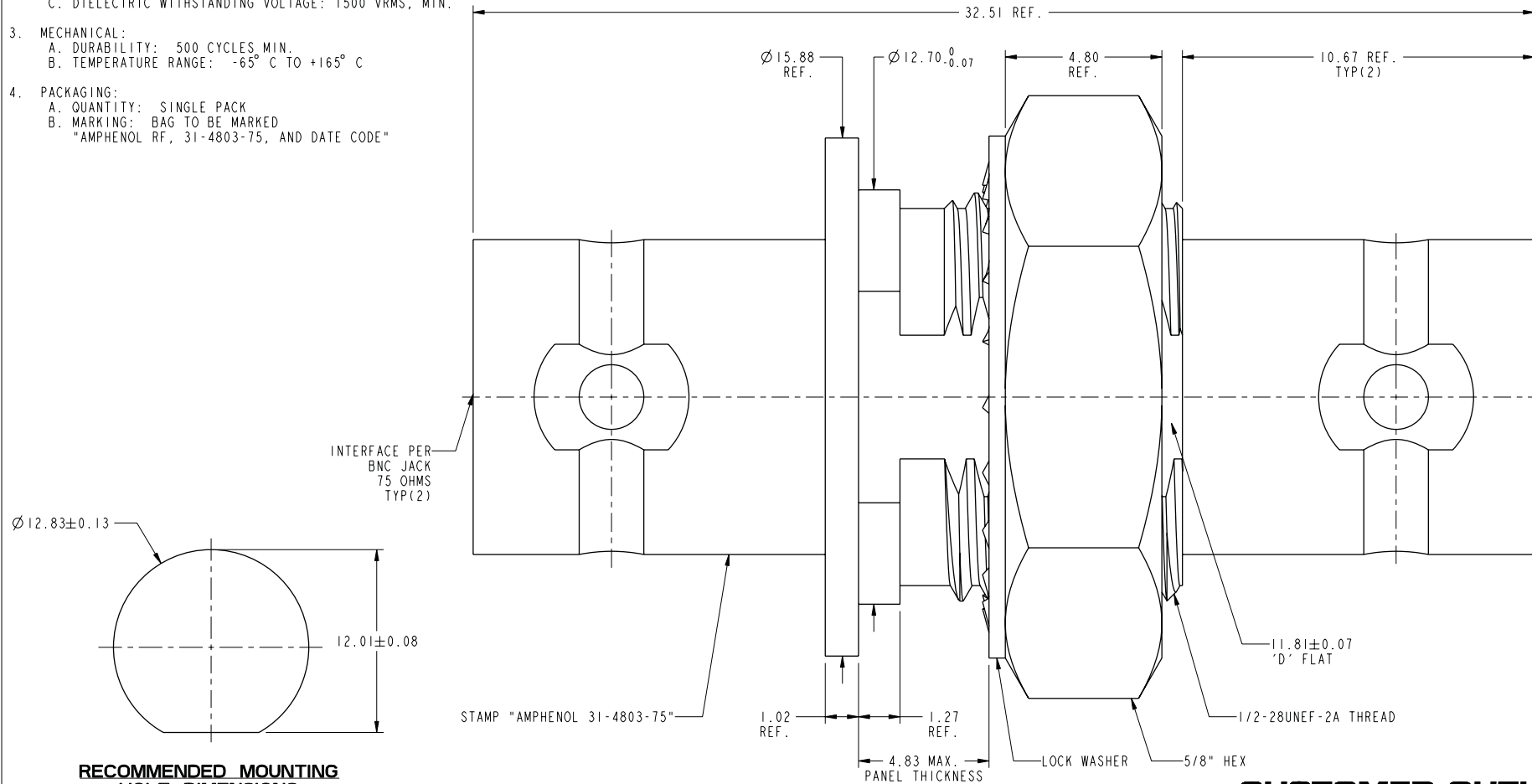
THIRD ANGLE PROJ.

REVISIONS

REV	DESCRIPTION	DATE	ECO	APPR
A3	TITLE WAS CHANGED\ N/A	13-Feb-03	--	TONY
C	REDRAWN TO UPDATE FORMAT	23-Dec-08	47239	--
D	REDRAWN IN PRO-E	22-May-15	49810	MD



SCALE 1.500



RECOMMENDED MOUNTING HOLE DIMENSIONS

CUSTOMER OUTLINE DRAWING

ALL OTHER SHEETS ARE FOR INTERNAL USE ONLY

UNLESS OTHERWISE SPECIFIED, DIMENSIONS ARE IN METRIC AND TOLERANCES ARE:
 <0.5mm ±0.05mm 0.5 - 6mm ±0.1mm 6 - 30mm ±0.2mm 30 - 120mm ±0.3mm ANGLES ±1°

NOTICE - These drawings, specifications, or other data (1) are, and remain the property of Amphenol Corp. (2) must be returned upon request; and (3) are confidential and not to be disclosed to any person other than those to whom they are given by Amphenol Corp. the furnishing of these drawings, specifications, or other data by Amphenol Corp., or to any other person to anyone for any purpose is not to be regarded by implication or otherwise in any manner licensing, granting rights to permitting such holder or any other person to manufacture, use or sell any product, process or design, patented or otherwise, that may in any way be related to or disclosed by said drawings, specifications, or other data.

MATERIAL	SEE NOTES	DRAWN	M. DONG	DATE	14-May-15	TITLE		Amphenol RF www.amphenolrf.com	
REFERENCE	EAR #	ENGINEER	RICHER	DATE	14-Feb-03	BNC STR JACK TO JACK BHD ISOLATED ADAPTER			
CONFIGURATION LEVEL:	In Work	APPROVED	S. HSIEH	DATE	18-May-15	SCALE:	7.5:1.0	SHEET	2 OF 2
FINISH		CAD FILE				DWG SIZE	B	REV	D
						DRAWING NO. 31-4803-75		ITEM NO. 31-4803-75	
						PART NO. 31-4803-75			