

# W7100A Datasheet

Version 1.2.5



© 2013~2014 WIZnet Co.,Ltd. All Rights Reserved.

For more information, visit our website at <http://www.wiznet.co.kr>

# Table of Contents

|         |                                               |    |
|---------|-----------------------------------------------|----|
| 1       | Overview.....                                 | 11 |
| 1.1     | Introduction.....                             | 11 |
| 1.2     | W7100A Features.....                          | 11 |
| 1.3     | W7100A Block Diagram & Features.....          | 12 |
| 1.3.1   | ALU (Arithmetic Logic Unit).....              | 12 |
| 1.3.2   | TCPIPCore.....                                | 14 |
| 1.4     | Pin Description.....                          | 16 |
| 1.4.1   | Pin Layout.....                               | 16 |
| 1.4.2   | Pin Description.....                          | 17 |
| 1.4.2.1 | Configuration.....                            | 18 |
| 1.4.2.2 | Timer.....                                    | 19 |
| 1.4.2.3 | UART.....                                     | 19 |
| 1.4.2.4 | DoCD™ Compatible Debugger.....                | 19 |
| 1.4.2.5 | Interrupt / Clock.....                        | 19 |
| 1.4.2.6 | GPIO.....                                     | 20 |
| 1.4.2.7 | Media Interface.....                          | 21 |
| 1.4.2.8 | Network Indicator LED.....                    | 22 |
| 1.4.2.9 | Power Supply Signal.....                      | 22 |
| 1.5     | 64pin package description.....                | 24 |
| 1.5.1   | Difference between 100 and 64pin package..... | 24 |
| 2       | Memory.....                                   | 26 |
| 2.1     | Code Memory.....                              | 27 |
| 2.1.1   | Code Memory Wait States.....                  | 29 |
| 2.2     | Data Memory.....                              | 29 |
| 2.2.1   | Data Memory Wait States.....                  | 30 |
| 2.3     | External Data Memory Access.....              | 30 |
| 2.3.1   | Standard 8051 Interface.....                  | 30 |
| 2.3.2   | Direct Interface.....                         | 32 |
| 2.4     | Internal Data Memory and SFR.....             | 33 |
| 2.5     | SFR definition.....                           | 34 |
| 2.5.1   | Program Code Memory Write Enable Bit.....     | 34 |
| 2.5.2   | Program Code Memory Wait States Register..... | 34 |
| 2.5.3   | Data Pointer Extended Registers.....          | 36 |
| 2.5.4   | Data Pointer Registers.....                   | 36 |
| 2.5.5   | Clock Control Register.....                   | 37 |

|        |                                                                        |    |
|--------|------------------------------------------------------------------------|----|
| 2.5.6  | Internal Memory Wait States Register .....                             | 38 |
| 2.5.7  | Address Latch Enable Register .....                                    | 39 |
| 2.5.8  | External Memory Wait States Register .....                             | 39 |
| 2.5.9  | Stack Pointer .....                                                    | 40 |
| 2.5.10 | New & Extended SFR .....                                               | 40 |
| 2.5.11 | Peripheral Registers.....                                              | 42 |
| 3      | Interrupt .....                                                        | 44 |
| 4      | I/O Ports .....                                                        | 48 |
| 5      | Timers.....                                                            | 52 |
| 5.1    | Timers 0, 1 .....                                                      | 52 |
| 5.1.1  | Overview .....                                                         | 52 |
| 5.1.2  | Interrupts .....                                                       | 53 |
| 5.1.3  | Timer0 - Mode0 .....                                                   | 54 |
| 5.1.4  | Timer0 - Mode1 .....                                                   | 55 |
| 5.1.5  | Timer0 - Mode2 .....                                                   | 55 |
| 5.1.6  | Timer0 - Mode3 .....                                                   | 56 |
| 5.1.7  | Timer1 - Mode0 .....                                                   | 57 |
| 5.1.8  | Timer1 - Mode1 .....                                                   | 57 |
| 5.1.9  | Timer1 - Mode2 .....                                                   | 58 |
| 5.1.10 | Timer1 - Mode3 .....                                                   | 58 |
| 5.2    | Timer2.....                                                            | 59 |
| 5.2.1  | Overview .....                                                         | 59 |
| 5.2.2  | Interrupts .....                                                       | 60 |
| 6      | UART .....                                                             | 63 |
| 6.1    | Interrupts .....                                                       | 64 |
| 6.2    | Mode0, Synchronous .....                                               | 65 |
| 6.3    | Mode1, 8-Bit UART, Variable Baud Rate, Timer 1 or 2 Clock Source ..... | 66 |
| 6.4    | Mode2, 9-Bit UART, Fixed Baud Rate .....                               | 66 |
| 6.5    | Mode3, 9-Bit UART, Variable Baud Rate, Timer1 or 2 Clock Source .....  | 67 |
| 6.6    | Examples of Baud Rate Setting .....                                    | 67 |
| 7      | Watchdog Timer .....                                                   | 68 |
| 7.1    | Overview .....                                                         | 68 |
| 7.2    | Interrupts .....                                                       | 68 |
| 7.3    | Watchdog Timer Reset .....                                             | 69 |
| 7.4    | Simple Timer .....                                                     | 70 |
| 7.5    | System Monitor .....                                                   | 70 |
| 7.6    | Watchdog Related Registers .....                                       | 70 |
| 7.7    | Watchdog Control .....                                                 | 71 |

|         |                                                     |     |
|---------|-----------------------------------------------------|-----|
| 7.7.1   | Clock Control.....                                  | 72  |
| 7.8     | Timed Access Registers.....                         | 72  |
| 8       | TCPIPCore .....                                     | 73  |
| 8.1     | Memory Map.....                                     | 73  |
| 8.2     | Registers list .....                                | 73  |
| 8.2.1   | Common Registers.....                               | 73  |
| 8.2.2   | SOCKET Registers .....                              | 75  |
| 8.3     | Register Description .....                          | 86  |
| 8.3.1   | Mode Register .....                                 | 86  |
| 8.3.2   | SOCKET Registers .....                              | 92  |
| 9       | Functional Description .....                        | 110 |
| 9.1     | Initialization .....                                | 110 |
| 9.2     | Data Communication .....                            | 115 |
| 9.2.1   | TCP .....                                           | 115 |
| 9.2.1.1 | TCP SERVER.....                                     | 116 |
| 9.2.1.2 | TCP CLIENT .....                                    | 123 |
| 9.2.2   | UDP .....                                           | 124 |
| 9.2.2.1 | Unicast & Broadcast .....                           | 124 |
| 9.2.2.2 | Multicast .....                                     | 129 |
| 9.2.3   | IPRAW.....                                          | 132 |
| 9.2.4   | MACRAW.....                                         | 134 |
| 10      | Electrical Specification .....                      | 141 |
| 10.1    | Absolute Maximum Ratings.....                       | 141 |
| 10.2    | DC Characteristics .....                            | 141 |
| 10.3    | Power consumption(Driving voltage 3.3V).....        | 142 |
| 10.4    | AC Characteristics .....                            | 142 |
| 10.5    | Crystal Characteristics .....                       | 143 |
| 10.6    | Transformer Characteristics.....                    | 143 |
| 11      | IR Reflow Temperature Profile (Lead-Free) .....     | 144 |
| 12      | Package Descriptions .....                          | 145 |
| 12.1    | Package type: LQFP 100 .....                        | 145 |
| 12.2    | Package type: QFN 64 .....                          | 147 |
| 13      | Appendix:Performance Improvement about W7100A ..... | 149 |
| 13.1    | Summary .....                                       | 149 |
| 13.2    | 8-Bit Arithmetic Functions.....                     | 149 |
| 13.2.1  | Addition.....                                       | 149 |
| 13.2.2  | Subtraction .....                                   | 151 |
| 13.2.3  | Multiplication .....                                | 152 |

|        |                                   |     |
|--------|-----------------------------------|-----|
| 13.2.4 | Division.....                     | 152 |
| 13.3   | 16-Bit Arithmetic Functions ..... | 152 |
| 13.3.1 | Addition.....                     | 152 |
| 13.3.2 | Subtraction .....                 | 153 |
| 13.3.3 | Multiplication .....              | 153 |
| 13.4   | 32-bit Arithmetic Functions ..... | 154 |
| 13.4.1 | Addition.....                     | 154 |
| 13.4.2 | Subtraction .....                 | 155 |
| 13.4.3 | Multiplication .....              | 155 |

# List of Figures

|                                                                                                            |    |
|------------------------------------------------------------------------------------------------------------|----|
| Figure 1.1 W7100A Block Diagram .....                                                                      | 12 |
| Figure 1.2 Accumulator A Register .....                                                                    | 13 |
| Figure 1.3 B Register .....                                                                                | 13 |
| Figure 1.4 Program Status Word Register .....                                                              | 13 |
| Figure 1.5 PSW Register .....                                                                              | 13 |
| Figure 1.6 TCIPCore Block Diagram .....                                                                    | 14 |
| Figure 1.7 W7100A Pin Layout .....                                                                         | 16 |
| Figure 1.8 W7100A QFN 64 Pin Layout .....                                                                  | 17 |
| Figure 1.9 Power Design .....                                                                              | 24 |
| Figure 2.1 Code / Data Memory Connections .....                                                            | 26 |
| (Example ICs : MAX811, MIC811, DS1811) .....                                                               | 26 |
| Figure 2.2. Boot Sequence Flowchart .....                                                                  | 27 |
| Figure 2.3 APP Entry Process.....                                                                          | 28 |
| Figure 2.4 Changing the code memory Status at <b>RB</b> = '0' .....                                        | 28 |
| Figure 2.5 Data Memory Map .....                                                                           | 29 |
| Figure 2.6 Standard 8051 External Pin Access Mode (EM[2:0] = "001") .....                                  | 31 |
| Figure 2.7 Standard 8051 External Pin Access Mode (EM[2:0] = "011") .....                                  | 31 |
| Figure 2.8 Direct 8051 External Pin Access Mode (EM[2:0] = "101").....                                     | 32 |
| Figure 2.9 Direct 8051 External Pin Access Mode (EM[2:0] = "111").....                                     | 32 |
| Figure 2.10 Internal Memory Map .....                                                                      | 33 |
| Figure 2.11 SFR Memory Map .....                                                                           | 33 |
| Figure 2.12 PWE bit of PCON Register .....                                                                 | 34 |
| Figure 2.13 Code memory Wait States Register .....                                                         | 34 |
| Figure 2.14 Waveform for code memory Synchronous Read Cycle with Minimal Wait States<br>(WTST = '4').....  | 35 |
| Figure 2.15 Waveform for code memory Synchronous Write Cycle with Minimal Wait<br>States(WTST = '4') ..... | 35 |
| Figure 2.16 Data Pointer Extended Register .....                                                           | 36 |
| Figure 2.17 Data Pointer Extended Register .....                                                           | 36 |
| Figure 2.18 MOVX @RI Extended Register .....                                                               | 36 |
| Figure 2.19 Data Pointer Register DPTR0 .....                                                              | 36 |
| Figure 2.20 Data Pointer 1 Register DPTR1 .....                                                            | 36 |
| Figure 2.21 Data Pointer Select Register .....                                                             | 37 |
| Figure 2.22 Clock Control Register - STRETCH bits .....                                                    | 37 |
| Figure 2.23 Internal Memory Wait States Register .....                                                     | 38 |
| Figure 2.24 Internal Memory Wait States Register .....                                                     | 39 |

|                                                                       |    |
|-----------------------------------------------------------------------|----|
| Figure 2.25 First Byte of Internal Memory Wait States Register .....  | 39 |
| Figure 2.26 Second Byte of Internal Memory Wait States Register ..... | 39 |
| Figure 2.27 Stack Pointer Register .....                              | 40 |
| Figure 2.28 PHY Status Register .....                                 | 40 |
| Figure 2.29 Internal PHY Configuration Register .....                 | 40 |
| Figure 2.30 W7100A Configuration Register .....                       | 41 |
| Figure 2.31 Core clock count register .....                           | 42 |
| Figure 2.32 Core clock count register .....                           | 42 |
| Figure 2.33 Core clock count register .....                           | 42 |
| Figure 2.34 Core clock count register .....                           | 42 |
| Figure 3.1 Interrupt Enable Register .....                            | 45 |
| Figure 3.2 Interrupt Priority Register .....                          | 45 |
| Figure 3.3 Timer0, 1 Configuration Register .....                     | 45 |
| Figure 3.4 UART Configuration Register .....                          | 46 |
| Figure 3.5 Extended Interrupt Enable Register .....                   | 46 |
| Figure 3.6 Extended Interrupt Priority Register .....                 | 46 |
| Figure 3.7 Extended Interrupt Flag Register .....                     | 47 |
| Figure 3.8 Watchdog Control Register .....                            | 47 |
| Figure 4.1 Port0 Pull-down register .....                             | 48 |
| Figure 4.2 Port0 Register .....                                       | 48 |
| Figure 4.3 Port1 Register .....                                       | 48 |
| Figure 4.4 Port2 Register .....                                       | 49 |
| Figure 4.5 Port3 Register .....                                       | 49 |
| Figure 4.6 Port0 Pull-down register .....                             | 50 |
| Figure 4.7 Port1 Pull-down register .....                             | 50 |
| Figure 4.8 Port2 Pull-down register .....                             | 50 |
| Figure 4.9 Port3 Pull-down register .....                             | 50 |
| Figure 4.10 Port0 Pull-up register .....                              | 50 |
| Figure 4.11 Port1 Pull-up register .....                              | 51 |
| Figure 4.12 Port2 Pull-up register .....                              | 51 |
| Figure 4.13 Port3 Pull-up register .....                              | 51 |
| Figure 5.1 Timer0, 1 Control Mode Register .....                      | 53 |
| Figure 5.2 Timer0, 1 Configuration Register .....                     | 53 |
| Figure 5.3 Interrupt Enable Register .....                            | 53 |
| Figure 5.4 Interrupt Priority Register .....                          | 54 |
| Figure 5.5 Timer0, 1 Configuration Register .....                     | 54 |
| Figure 5.6 Timer Counter0, Mode0: 13-Bit Timer/Counter .....          | 55 |
| Figure 5.7 Timer/Counter0, Mode1: 16-Bit Timer/Counter .....          | 55 |

|                                                                                |     |
|--------------------------------------------------------------------------------|-----|
| Figure 5.8 Timer/Counter0, Mode2: 8-Bit Timer/Counter with Auto-Reload.....    | 56  |
| Figure 5.9 Timer/Counter0, Mode3: Two 8-Bit Timers/Counters .....              | 56  |
| Figure 5.10 Timer/Counter1, Mode0: 13-Bit Timer/Counter .....                  | 57  |
| Figure 5.11 Timer/Counter1, Mode1: 16-Bit Timers/Counters .....                | 57  |
| Figure 5.12 Timer/Counter1, Mode2: 8-Bit Timer/Counter with Auto-Reload .....  | 58  |
| Figure 5.13 Timer2 Configuration Register .....                                | 59  |
| Figure 5.14 Timer/Counter2, 16-Bit Timer/Counter with Auto-Reload .....        | 60  |
| Figure 5.15 Interrupt Enable Register – Timer2 .....                           | 60  |
| Figure 5.16 Interrupt Priority Register – Timer2.....                          | 61  |
| Figure 5.17 Timer2 Configuration Register – TF2.....                           | 61  |
| Figure 5.18 Timer/Counter2, 16-Bit Timer/Counter with Capture Mode .....       | 61  |
| Figure 5.19 Timer2 for Baud Rate Generator Mode.....                           | 62  |
| Figure 6.1 UART Buffer Register.....                                           | 63  |
| Figure 6.2 UART Configuration Register .....                                   | 63  |
| Figure 6.3 UART Bits in Power Configuration Register .....                     | 64  |
| Figure 6.4 UART Bits in Interrupt Enable Register .....                        | 65  |
| Figure 6.5 UART Bits in Interrupt Priority Register.....                       | 65  |
| Figure 6.6 UART Configuration Register .....                                   | 65  |
| Figure 6.7 Timing Diagram for UART Transmission Mode0 (clk = 88.4736 MHz)..... | 66  |
| Figure 6.8 Timing Diagram for UART Transmission Mode1 .....                    | 66  |
| Figure 6.9 Timing Diagram for UART Transmission Mode2 .....                    | 66  |
| Figure 6.10 Timing Diagram for UART Transmission Mode3.....                    | 67  |
| Figure 7.1 Watchdog Timer Structure .....                                      | 68  |
| Figure 7.2 Interrupt Enable Register .....                                     | 68  |
| Figure 7.3 Extended Interrupt Enable Register .....                            | 68  |
| Figure 7.4 Extended interrupt Priority Register .....                          | 69  |
| Figure 7.5 Watchdog Control Register.....                                      | 69  |
| Figure 7.6 Watchdog Control Register.....                                      | 71  |
| Figure 7.7 Clock Control register - Watchdog bits .....                        | 72  |
| Figure 8.1 TCPIPCore Memory Map .....                                          | 73  |
| Figure 8.2 SOCKET <i>n</i> Status transition .....                             | 100 |
| Figure 8.3 Calculate Physical Address.....                                     | 107 |
| Figure 9.1 Allocation Internal TX/RX memory of SOCKET <i>n</i> .....           | 114 |
| Figure 9.2 TCP SERVER & TCP CLIENT .....                                       | 115 |
| Figure 9.3 “TCP SERVER” Operation Flow .....                                   | 116 |
| Figure 9.4 “TCP CLIENT” Operation Flow .....                                   | 123 |
| Figure 9.5 UDP Operation Flow.....                                             | 124 |
| Figure 9.6 The received UDP data format.....                                   | 126 |



|                                                   |     |
|---------------------------------------------------|-----|
| Figure 9.7 IPRAW Operation Flow .....             | 133 |
| Figure 9.8 The received IPRAW data format .....   | 134 |
| Figure 9.9 MACRAW Operation Flow .....            | 135 |
| Figure 9.10 The received MACRAW data format ..... | 136 |

## List of Tables

|                                                   |     |
|---------------------------------------------------|-----|
| Table 2.1 External memory access mode .....       | 30  |
| Table 2.2 WTST Register Values .....              | 34  |
| Table 2.3 DPTR0, DPTR1 Operations.....            | 37  |
| Table 2.4 MD[2:0] Bit Values .....                | 38  |
| Table 2.5 Ram WTST Bit Values.....                | 38  |
| Table 2.6 TCPIPCore / Flash WTST Bit Values.....  | 39  |
| Table 3.1 External Interrupt Pin Description..... | 44  |
| Table 3.2 W7100A Interrupt Summary.....           | 44  |
| Table 4.1 I/O Ports Pin Description .....         | 48  |
| Table 4.2 Read-Modify-Write Instructions .....    | 49  |
| Table 5.1 Timers 0, 1 Pin Description .....       | 52  |
| Table 5.2 Timers 0, 1 Mode .....                  | 52  |
| Table 5.3 Timer0, 1 interrupts.....               | 54  |
| Table 5.4 Timer2 Pin Description.....             | 59  |
| Table 5.5 Timer2 Modes.....                       | 59  |
| Table 5.6 Timer2 Interrupt .....                  | 62  |
| Table 6.1 UART Pin Description.....               | 63  |
| Table 6.2 UART Modes.....                         | 64  |
| Table 6.3 UART Baud Rates.....                    | 64  |
| Table 6.4 UART Interrupt .....                    | 65  |
| Table 6.5 Examples of Baud Rate Setting.....      | 67  |
| Table 7.1 Watchdog Interrupt.....                 | 69  |
| Table 7.2 Summary for Watchdog Related Bits ..... | 70  |
| Table 7.3 Watchdog Bits and Actions .....         | 71  |
| Table 7.4 Watchdog Intervals .....                | 72  |
| Table 7.5 Timed Access Registers .....            | 72  |
| Table 9.1 Timer / Counter Mode .....              | 111 |
| Table 9.2 Baud rate.....                          | 111 |
| Table 9.3 Mode of UART .....                      | 111 |

# 1 Overview

## 1.1 Introduction

iMCU W7100A is the one-chip solution which integrates an 8051 compatible microcontroller, 64KB SRAM and hardwired TCP/IP Core for high performance and easy development.

The TCP/IP core is a market-proven hardwired TCP/IP stack with an integrated Ethernet MAC & PHY. The Hardwired TCP/IP stack supports the TCP, UDP, IPv4, ICMP, ARP, IGMP and PPPoE which has been used in various applications for years.

## 1.2 W7100A Features

- Fully software compatible with industrial standard 8051
- Pipelined architecture which enables execution of instructions 4-5 times faster than a standard 8051
- 10BaseT/100BaseTX Ethernet PHY embedded
- Power down mode supported for saving power consumption
- Hardwired TCP/IP Protocols: TCP, UDP, ICMP, IPv4 ARP, IGMP, PPPoE, Ethernet
- Auto Negotiation (Full-duplex and half duplex), Auto MDI/MDIX
- ADSL connection with PPPoE Protocol with PAP/CHAP Authentication mode support
- 8 independent sockets which are running simultaneously
- 32Kbytes Data buffer for the Network
- Network status LED outputs (TX, RX, Full/Half duplex, Collision, Link, and Speed)
- Not supports IP fragmentation
- 2 Data Pointers (DPTRs) for fast memory blocks processing
  - Advanced INC & DEC modes
  - Auto-switch of current DPTR
- 64KBytes Data Memory (RAM)
- 255Bytes data FLASH, 64KBytes Code Memory, 2KBytes Boot Code Memory
- Up to 16M bytes of external (off-chip) data memory
- Interrupt controller
  - 2 priority levels
  - 4 external interrupt sources
  - 1 Watchdog interrupt
- Four 8-bit I/O Ports
- Three timers/counters
- Full-duplex UART
- Programmable Watchdog Timer
- DoCD™ compatible debugger
- High Product Endurance
  - Minimum 100,000 program/erase cycles
  - Minimum 10 years data retention

## 1.3 W7100A Block Diagram & Features

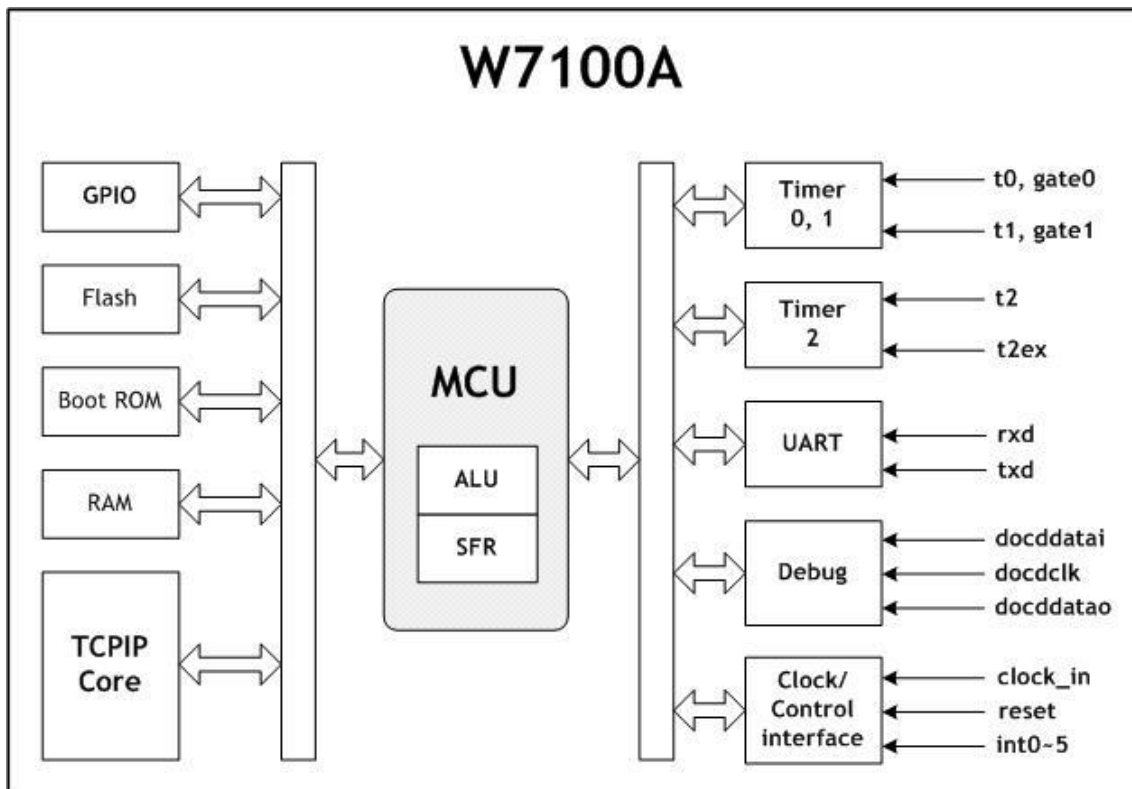


Figure 1.1 W7100A Block Diagram

The W7100A internal block diagram is shown in the Figure 1.1. Details of block functions are described as follows:

**ALU** - Performs arithmetic and logic operations during execution of an instruction. It contains accumulator (ACC), Program Status Word (PSW), B registers, and related logics such as arithmetic unit, logic unit, multiplier, and divider.

**SFR** - Controls the access of special registers. It contains standard and user defined registers and related logic. User defined external devices can be quickly accessed (read, write, modified) using all direct addressing mode instructions.

### 1.3.1 ALU (Arithmetic Logic Unit)

W7100A is fully compatible with the standard 8051 microcontroller, and maintains all instruction mnemonics and binary compatibility. W7100A incorporates many great architectural enhancements which enable the W7100A MCU to execute instructions with high speed.

The ALU of W7100A MCU performs extensive data manipulation and is comprised of the 8-bit arithmetic logic unit (ALU), an ACC (0xE0) register, a B (0xF0) register and a PSW (0xD0) register

| ACC (0xE0) |       |       |       |       |       |       |       |       |
|------------|-------|-------|-------|-------|-------|-------|-------|-------|
| 7          | 6     | 5     | 4     | 3     | 2     | 1     | 0     | Reset |
| ACC.7      | ACC.6 | ACC.5 | ACC.4 | ACC.3 | ACC.2 | ACC.1 | ACC.0 | 0x00  |

Figure 1.2 Accumulator A Register

The B register is used during multiplication and division operations. In other cases, this register is used as normal SFR.

| B (0xF0) |     |     |     |     |     |     |     |       |
|----------|-----|-----|-----|-----|-----|-----|-----|-------|
| 7        | 6   | 5   | 4   | 3   | 2   | 1   | 0   | Reset |
| B.7      | B.6 | B.5 | B.4 | B.3 | B.2 | B.1 | B.0 | 0x00  |

Figure 1.3 B Register

The ALU performs arithmetic operations such as addition, subtraction, multiplication, and division, and other operations such as increment, decrement, BCD-decimal-add-adjust, and compare. Logic unit uses AND, OR, Exclusive OR, complement, and rotation to perform different operations. The Boolean processor performs bit operations such as set, clear, complement, jump-if-not-set, jump-if-set-and-clear, and move to/from carry.

| PSW (0xD0) |    |    |     |     |    |    |   |       |
|------------|----|----|-----|-----|----|----|---|-------|
| 7          | 6  | 5  | 4   | 3   | 2  | 1  | 0 | Reset |
| CY         | AC | F0 | RS1 | RS0 | OV | F1 | P | 0x00  |

Figure 1.4 Program Status Word Register

|                                                   |                                                   |
|---------------------------------------------------|---------------------------------------------------|
| CY                                                | Carry flag                                        |
| AC                                                | Auxiliary carry                                   |
| F0                                                | General purpose flag 0                            |
| RS[1:0]                                           | Register bank select bits                         |
|                                                   | RS[1:0]      Function Description                 |
|                                                   | 00              -Bank 0, data address 0x00 - 0x07 |
|                                                   | 01              -Bank 1, data address 0x08 - 0x0F |
|                                                   | 10              -Bank 2, data address 0x10 - 0x17 |
| 11              -Bank 3, data address 0x18 - 0x1F |                                                   |
| OV                                                | Overflow flag                                     |
| F1                                                | General purpose flag 1                            |
| P                                                 | Parity flag                                       |

Figure 1.5 PSW Register

The PSW register contains several bits that can reflect the current state of MCU.

### 1.3.2 TCIPCore

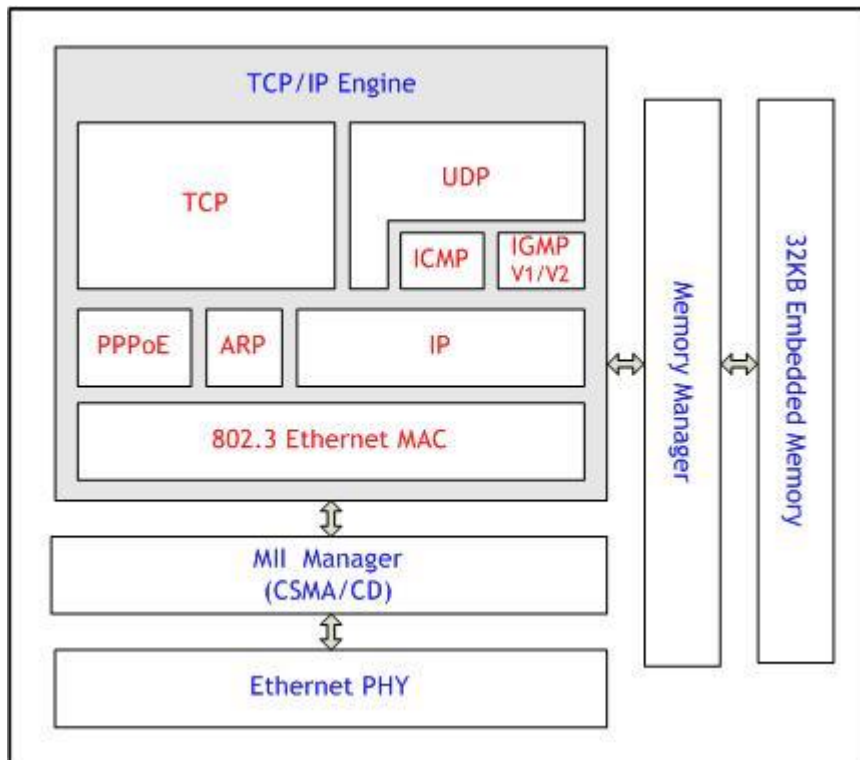


Figure 1.6 TCIPCore Block Diagram

#### Ethernet PHY

The W7100A includes 10BaseT/100BaseTX Ethernet PHY. It supports half-duplex/full-duplex, auto-negotiation and auto-MDI/MDIX. It also supports 6 network indicator LED outputs such as Link, TX, RX status, Collision, speed and duplex.

#### TCPIP Engine

TCPIP Engine is a hardwired logic based network protocol which contains technology of WIZnet.

- **802.3 Ethernet MAC(Media Access Control)**

This controls Ethernet access of CSMA/CD(Carrier Sense Multiple Access with Collision Detect). The protocol is based on a 48-bit source/destination MAC address.

- **PPPoE(Point-To-Point Protocol over Ethernet)**

This protocol uses PPP service over Ethernet. The payload (PPP frame) is encapsulated inside an Ethernet frame during a transmission. When receiving, it de-capsulates the PPP frame. PPPoE supports PPP communication with PPPoE server and PAP/CHAP authentications.

- **ARP(Address Resolution Protocol)**

ARP is the MAC address resolution protocol by using IP address. This protocol exchanges ARP-reply and ARP-request from peers to determine the MAC address of each other

- **IP (Internet Protocol)**

This protocol operates in the IP layer and provides data communication. IP fragmentation is not supported. It is not possible to receive the fragmented packets. All protocol number is supported except for TCP or UDP. In case of TCP or UDP, use the hardwired embedded TCPIP stack.

- **ICMP(Internet Control Message Protocol)**

ICMP is a protocol which provides information, unreachable destination. When a Ping-request ICMP packet is received, a Ping-reply ICMP packet is sent.

- **IGMPv1/v2(Internet Group Management Protocol version 1/2)**

This protocol processes IGMP messages such as the IGMP Join/Leave. The IGMP is only enabled in UDP multicast mode. Only version 1 and 2 of IGMP logic is supported. When using a newer version of IGMP, IGMP should be manually implemented in the IP layer.

- **UDP(User Datagram Protocol)**

It is a protocol which supports data communication at the UDP layer. User datagram such as unicast, multicast, and broadcast are supported

- **TCP(Transmission Control Protocol)**

This protocol operates in the TCP layer and provides data communication. Both TCP server and client modes are supported.

## 1.4 Pin Description

### 1.4.1 Pin Layout

Package type: LQFP 100

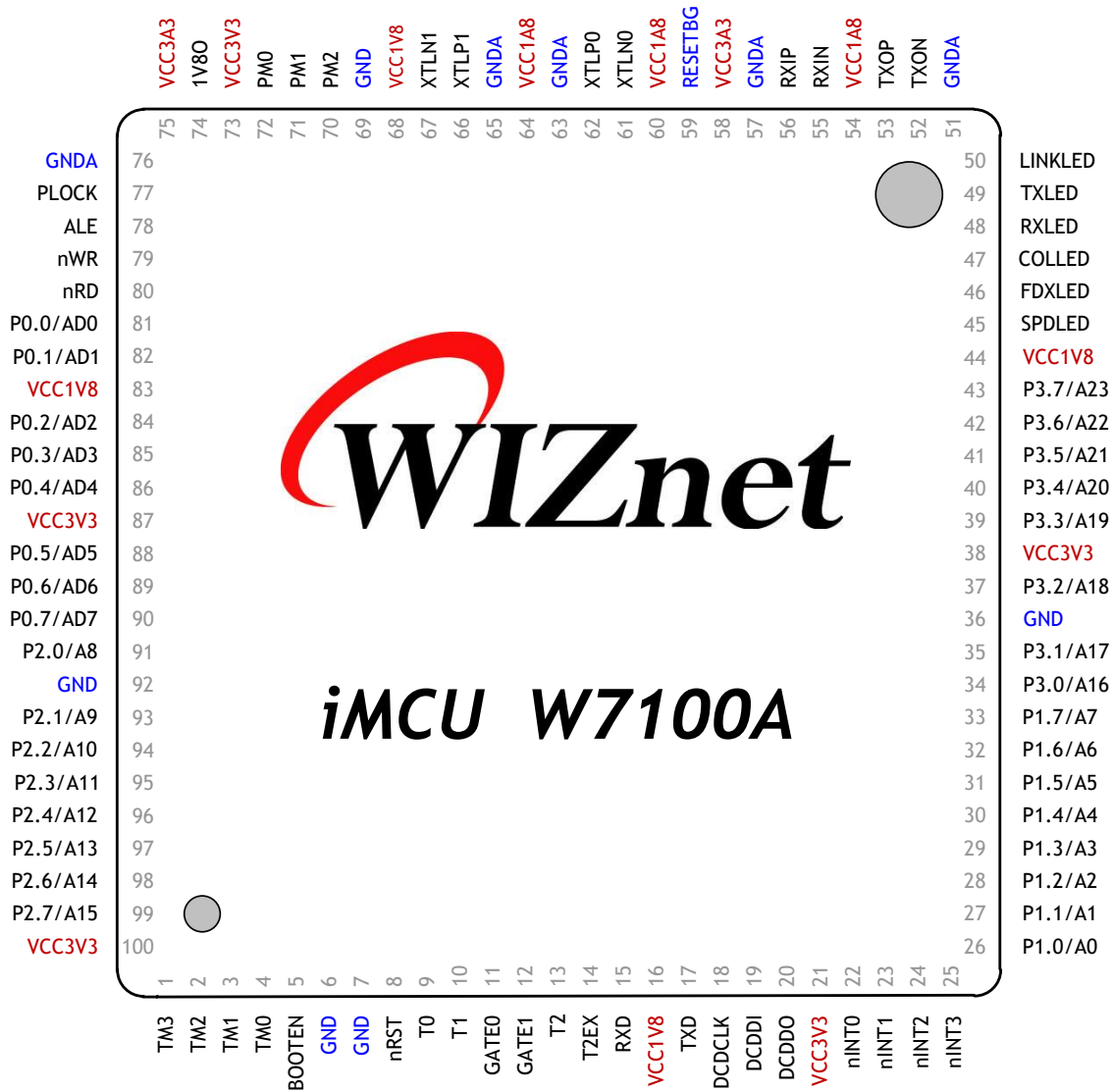


Figure 1.7 W7100A Pin Layout



Package type: QFN 64

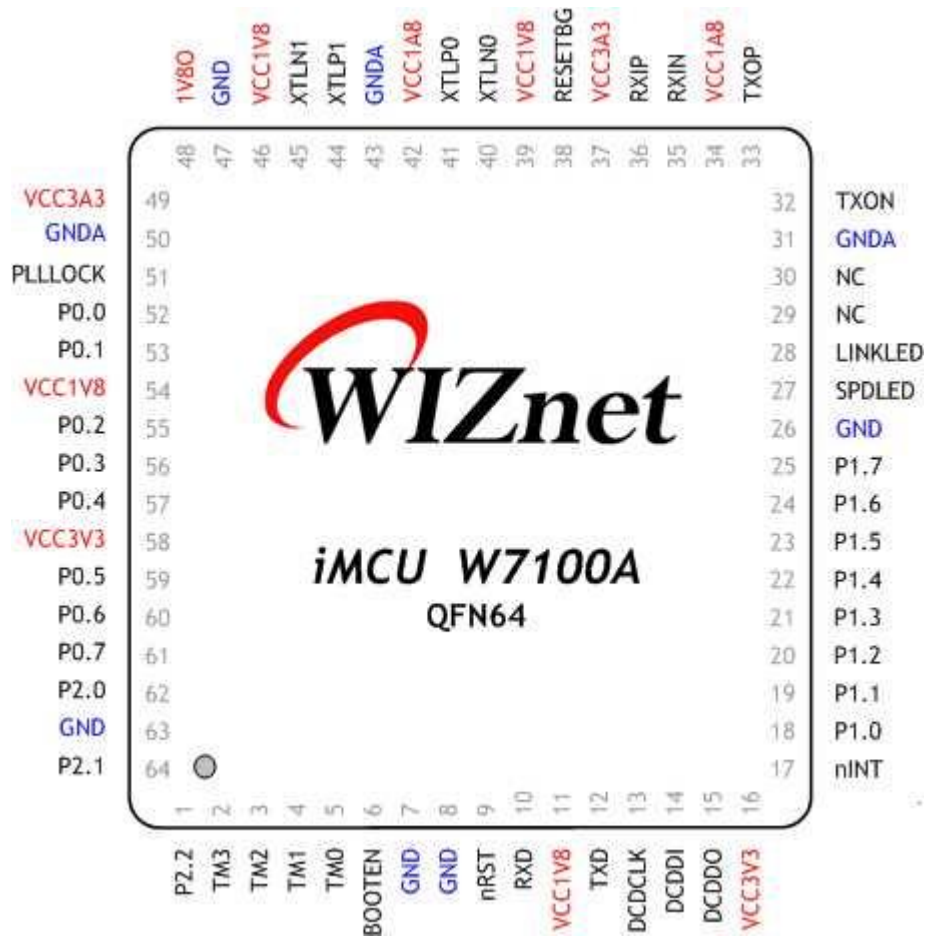


Figure 1.8 W7100A QFN 64 Pin Layout

## 1.4.2 Pin Description

The pin functionalities are described in the following table. There are no tri-state output pins and internal signals.

| Type | Description                             |
|------|-----------------------------------------|
| I    | Input                                   |
| O    | Output with 8mA driving current         |
| IO   | Input/Output (Bidirectional)            |
| Pu   | Internal pulled-up with 4.7KΩ resistor  |
| Pd   | Internal pulled-down with 85KΩ resistor |

### 1.4.2.1 Configuration

| Pin name                             | Pin number       |             | I/O | Pu/Pd | Description                                                                                                                                                          |   |   |                                                                            |
|--------------------------------------|------------------|-------------|-----|-------|----------------------------------------------------------------------------------------------------------------------------------------------------------------------|---|---|----------------------------------------------------------------------------|
|                                      | 100pin           | 64pin       |     |       |                                                                                                                                                                      |   |   |                                                                            |
| nRST                                 | 8                | 9           | I   | Pu    | Global asynchronous reset, Active low                                                                                                                                |   |   |                                                                            |
| TM3-0                                | 1,2,<br>3,4      | 2,3,<br>4,5 | I   | Pd    | Must be connected to GND; value '0000'                                                                                                                               |   |   |                                                                            |
| PM2 - 0                              | 70,<br>71,<br>72 | -           | I   | Pd    | PHY Mode                                                                                                                                                             |   |   |                                                                            |
|                                      |                  |             |     |       | PM                                                                                                                                                                   |   |   | Description                                                                |
|                                      |                  |             |     |       | 2                                                                                                                                                                    | 1 | 0 |                                                                            |
|                                      |                  |             |     |       | 0                                                                                                                                                                    | 0 | 0 | Normal Operation Mode<br>Auto-negotiation enabled with all functionalities |
|                                      |                  |             |     |       | 0                                                                                                                                                                    | 0 | 1 | Auto-negotiation with 100 BASE-TX FDX/HDX ability                          |
|                                      |                  |             |     |       | 0                                                                                                                                                                    | 1 | 0 | Auto-negotiation with 10 BASE-T FDX/HDX ability                            |
|                                      |                  |             |     |       | 0                                                                                                                                                                    | 1 | 1 | Reserved                                                                   |
|                                      |                  |             |     |       | 1                                                                                                                                                                    | 0 | 0 | Manual selection of 100 BASE-TX FDX                                        |
|                                      |                  |             |     |       | 1                                                                                                                                                                    | 0 | 1 | Manual selection of 100 BASE-TX HDX                                        |
|                                      |                  |             |     |       | 1                                                                                                                                                                    | 1 | 0 | Manual selection of 10 BASE-T FDX                                          |
|                                      |                  |             |     |       | 1                                                                                                                                                                    | 1 | 1 | Manual selection of 10 BASE-T HDX                                          |
| FDX : Full-Duplex, HDX : Half-Duplex |                  |             |     |       |                                                                                                                                                                      |   |   |                                                                            |
| BOOTEN                               | 5                | 6           | I   | Pd    | Boot Enable/Disable<br>0 - Enable User Application mode<br>Jump to 0x0000, the start address of user Code FLASH.<br>1- Enable Boot mode<br>Run boot code in Boot ROM |   |   |                                                                            |
| PLOCK                                | 77               | 51          | O   | -     | PLL Lock line, It notifies when internal PLL is locked                                                                                                               |   |   |                                                                            |

### 1.4.2.2 Timer

| Pin name            | Pin number |       | I/O | Pu/Pd | Description                   |
|---------------------|------------|-------|-----|-------|-------------------------------|
|                     | 100pin     | 64pin |     |       |                               |
| Timer0, 1 Interface |            |       |     |       |                               |
| T0                  | 9          | -     | I   | Pu    | Timer0 external clock input   |
| T1                  | 10         | -     | I   | Pu    | Timer1 external clock input   |
| GATE0               | 11         | -     | I   | Pd    | Timer0 gate control           |
| GATE1               | 12         | -     | I   | Pd    | Timer1 gate control           |
| Timer2 Interface    |            |       |     |       |                               |
| T2                  | 13         | -     | I   | Pu    | Timer2 external clock input   |
| T2EX                | 14         | -     | I   | Pu    | Timer2 Capture/Reload trigger |

### 1.4.2.3 UART

| Pin name | Pin number |       | I/O | Pu/Pd | Description        |
|----------|------------|-------|-----|-------|--------------------|
|          | 100pin     | 64pin |     |       |                    |
| RXD      | 15         | 10    | I   | -     | Serial receiver    |
| TXD      | 17         | 12    | O   | -     | Serial transmitter |

### 1.4.2.4 DoCD™ Compatible Debugger

| Pin name | Pin number |       | I/O | Pu/Pd | Description      |
|----------|------------|-------|-----|-------|------------------|
|          | 100pin     | 64pin |     |       |                  |
| DCDCLK   | 18         | 13    | O   | -     | DoCD clock       |
| DCDDI    | 19         | 14    | I   | Pu    | DoCD data input  |
| DCDDO    | 20         | 15    | O   |       | DoCD data output |

### 1.4.2.5 Interrupt / Clock

| Pin name | Pin number |       | I/O | Pu/Pd | Description                                                                                                                            |
|----------|------------|-------|-----|-------|----------------------------------------------------------------------------------------------------------------------------------------|
|          | 100pin     | 64pin |     |       |                                                                                                                                        |
| nINT0    | 22         | 17    | I   | -     | External interrupt0                                                                                                                    |
| nINT1    | 23         | -     | I   | Pu    | External interrupt1                                                                                                                    |
| nINT2    | 24         | -     | I   | Pu    | External interrupt2                                                                                                                    |
| nINT3    | 25         | -     | I   | Pu    | External interrupt3                                                                                                                    |
| XTLN0    | 61         | 40    | O   | -     | Crystal output for WIZnet Core, A parallel-resonant 25MHz crystal or ceramic is connected. If use oscillator, this pin can be floated. |
| XTLP0    | 62         | 41    | I   | -     | Crystal input for WIZnet Core, A parallel-                                                                                             |

|       |    |    |   |   |                                                                                                                                                                   |
|-------|----|----|---|---|-------------------------------------------------------------------------------------------------------------------------------------------------------------------|
|       |    |    |   |   | resonant 25MHz crystal or ceramic is connected. If use oscillator, this pin connected with 1.8V output of OSC.                                                    |
| XTLN1 | 67 | 45 | 0 | - | Crystal output for MCU core, A parallel-resonant 11.0592MHz crystal or ceramic is connected. If oscillator is used, this pin can be floated.                      |
| XTLP1 | 66 | 44 | 1 | - | Crystal input for MCU core, A parallel-resonant 11.0592MHz crystal or ceramic is connected. If oscillator is used, this pin is connected with 1.8V output of OSC. |

#### 1.4.2.6 GPIO

| Pin name | Pin number |       | I/O | Pu/Pd | Description                                 |
|----------|------------|-------|-----|-------|---------------------------------------------|
|          | 100pin     | 64pin |     |       |                                             |
| P0.0     | 81         | 52    | IO  | -     | Port0 input/output, Ext Memory Data0, Addr0 |
| P0.1     | 82         | 53    | IO  | -     | Port0 input/output, Ext Memory Data1, Addr1 |
| P0.2     | 84         | 55    | IO  | -     | Port0 input/output, Ext Memory Data2, Addr2 |
| P0.3     | 85         | 56    | IO  | -     | Port0 input/output, Ext Memory Data3, Addr3 |
| P0.4     | 86         | 57    | IO  | -     | Port0 input/output, Ext Memory Data4, Addr4 |
| P0.5     | 88         | 59    | IO  | -     | Port0 input/output, Ext Memory Data5, Addr5 |
| P0.6     | 89         | 60    | IO  | -     | Port0 input/output, Ext Memory Data6, Addr6 |
| P0.7     | 90         | 61    | IO  | -     | Port0 input/output, Ext Memory Data7, Addr7 |
| P1.0     | 26         | 18    | IO  | -     | Port1 input/output, Ext Memory Addr0        |
| P1.1     | 27         | 19    | IO  | -     | Port1 input/output, Ext Memory Addr1        |
| P1.2     | 28         | 20    | IO  | -     | Port1 input/output, Ext Memory Addr2        |
| P1.3     | 29         | 21    | IO  | -     | Port1 input/output, Ext Memory Addr3        |
| P1.4     | 30         | 22    | IO  | -     | Port1 input/output, Ext Memory Addr4        |
| P1.5     | 31         | 23    | IO  | -     | Port1 input/output, Ext Memory Addr5        |
| P1.6     | 32         | 24    | IO  | -     | Port1 input/output, Ext Memory Addr6        |
| P1.7     | 33         | 25    | IO  | -     | Port1 input/output, Ext Memory Addr7        |
| P2.0     | 91         | 62    | IO  | -     | Port2 input/output, Ext Memory Addr8        |
| P2.1     | 93         | 64    | IO  | -     | Port2 input/output, Ext Memory Addr9        |
| P2.2     | 94         | 1     | IO  | -     | Port2 input/output, Ext Memory Addr10       |
| P2.3     | 95         | -     | IO  | -     | Port2 input/output, Ext Memory Addr11       |
| P2.4     | 96         | -     | IO  | -     | Port2 input/output, Ext Memory Addr12       |
| P2.5     | 97         | -     | IO  | -     | Port2 input/output, Ext Memory Addr13       |
| P2.6     | 98         | -     | IO  | -     | Port2 input/output, Ext Memory Addr14       |

|      |    |   |    |   |                                       |
|------|----|---|----|---|---------------------------------------|
| P2.7 | 99 | - | IO | - | Port2 input/output, Ext Memory Addr15 |
| P3.0 | 34 | - | IO | - | Port3 input/output, Ext Memory Addr16 |
| P3.1 | 35 | - | IO | - | Port3 input/output, Ext Memory Addr17 |
| P3.2 | 37 | - | IO | - | Port3 input/output, Ext Memory Addr18 |
| P3.3 | 39 | - | IO | - | Port3 input/output, Ext Memory Addr19 |
| P3.4 | 40 | - | IO | - | Port3 input/output, Ext Memory Addr20 |
| P3.5 | 41 | - | IO | - | Port3 input/output, Ext Memory Addr21 |
| P3.6 | 42 | - | IO | - | Port3 input/output, Ext Memory Addr22 |
| P3.7 | 43 | - | IO | - | Port3 input/output, Ext Memory Addr23 |

Note: User can control the GPIO I/O driving voltage using PxPU/PxPD SFR.

Note: In that case, GPIO0-3 is used to transfer External memory address and data. Please refer to the '2.3 External Data Memory Access'

### 1.4.2.7 External Memory Interface

| Pin name | Num | I/O Type | Description                                |
|----------|-----|----------|--------------------------------------------|
| ALE      | 78  | O        | Data memory address bus [7:0] latch enable |
| nWR      | 79  | OL       | External data memory write                 |
| nRD      | 80  | OL       | External data memory read                  |

Note: When user using External memory by standard 8051 interface, P0[7:0] can transfer Data[7:0] or Address[7:0] by ALE pin control.

### 1.4.2.8 Media Interface

| Pin name | Pin number |       | I/O | Pu/Pd | Description                                                                                               |
|----------|------------|-------|-----|-------|-----------------------------------------------------------------------------------------------------------|
|          | 100pin     | 64pin |     |       |                                                                                                           |
| TXON     | 52         | 32    | O   | -     | TXON/TXOP Signal Pair, The differential data is transmitted to the media on the TXON/TXOP signal pair     |
| TXOP     | 53         | 33    | O   | -     |                                                                                                           |
| RXIN     | 55         | 35    | I   | -     | RXIN/RXIP Signal Pair, The differential data from the media is received on the RXIN/RXIP Signal pair      |
| RXIP     | 56         | 36    | I   | -     |                                                                                                           |
| RESETBG  | 59         | 38    | I   | -     | PHY Off-chip resistor, Connect a resistor of 12.3 kΩ±1% to the ground. Refer to the "Reference schematic" |

For the best performance,

1. Make the length of RXIP / RXIN signal pair (RX) same if possible.
2. Make the length of TXOP / TXON signal pair (TX) same if possible.
3. Locate the RXIP and RXIN signal as near as possible.

4. Locate the TXOP and TXON signal as near as possible.
  5. Locate the RX and TX signal pairs far from noisy signals such as bias resistor or crystal.
  6. Keep regular between TX/RX signal pair.
- For more details, refer to “W5100 Layout Guide.pdf.”

#### 1.4.2.9 Network Indicator LED

| Pin name | Pin number |       | I/O | Pu/Pd | Description                                                         |
|----------|------------|-------|-----|-------|---------------------------------------------------------------------|
|          | 100pin     | 64pin |     |       |                                                                     |
| SPDLED   | 45         | 27    | O   | -     | Link speed LED<br>Low: 100Mbps<br>High: 10Mbps                      |
| FDXLED   | 46         | -     | O   | -     | Full duplex LED<br>Low: Full-duplex<br>High: Half-duplex            |
| COLLED   | 47         | -     | O   | -     | Collision LED<br>Low: Collision detected (only half-duplex)         |
| RXLED    | 48         | -     | O   | -     | Receive activity LED<br>Low: Receive signal detected on RXIP/RXIN   |
| TXLED    | 49         | -     | O   | -     | Transmit activity LED<br>Low: Transmit signal detected on TXOP/TXON |
| LINKLED  | 50         | 28    | O   | -     | Link LED<br>Low: Link (10/100M) is detected                         |

#### 1.4.2.10 Power Supply Signal

| Pin name | Pin number          |        | I/O   | Pu/Pd | Description                                                                                                                                                                         |
|----------|---------------------|--------|-------|-------|-------------------------------------------------------------------------------------------------------------------------------------------------------------------------------------|
|          | 100pin              | 64pin  |       |       |                                                                                                                                                                                     |
| VCC3A3   | 58, 75              | 37, 49 | Power | -     | Analog 3.3V power supply<br>Be sure to connect a 10uF tantalum capacitor between VCC3A3 and GNDA in order to prevent power compensation                                             |
| VCC3V3   | 21, 38, 73, 87, 100 | 16, 58 | Power | -     | Digital 3.3V power supply<br>A 0.1uF decoupling capacitor should be connected between each pair of VCC and GND. A 1uH ferrite bead should be used to separate the VCC3V3 and VCC3A3 |
| VCC1A8   | 54,                 | 34, 42 | Power | -     | Analog 1.8V power supply                                                                                                                                                            |

|        |                                |                        |       |   |                                                                                                                                                                                                                                                                                                                                                                                                                                                                                                                                   |
|--------|--------------------------------|------------------------|-------|---|-----------------------------------------------------------------------------------------------------------------------------------------------------------------------------------------------------------------------------------------------------------------------------------------------------------------------------------------------------------------------------------------------------------------------------------------------------------------------------------------------------------------------------------|
|        | 60,<br>64                      |                        |       |   | A 10uF tantalum capacitor and a 0.1uF capacitor should be connected between VCC1A8 and GNDA to filter out core power noise                                                                                                                                                                                                                                                                                                                                                                                                        |
| VCC1V8 | 16,<br>44,<br>68, 83           | 39,<br>46,<br>54, 11   | Power | - | Digital 1.8V power supply<br>Between each pair of VCC and GND, a 0.1uF decoupling capacitor should be connected                                                                                                                                                                                                                                                                                                                                                                                                                   |
| GNDA   | 51,<br>57,<br>63,<br>65,<br>76 | 31,<br>43, 50          | Power | - | Analog ground<br>Design the analog ground plane as wide as possible during PCB layout                                                                                                                                                                                                                                                                                                                                                                                                                                             |
| GND    | 6, 7,<br>36,<br>69, 92         | 7, 8,<br>26,<br>47, 63 | Power | - | Digital ground<br>Design the digital ground plane as wide as possible during PCB layout                                                                                                                                                                                                                                                                                                                                                                                                                                           |
| 1V8O   | 74                             | 48                     | Power | - | 1.8V regulated output voltage<br>1.8V/150mA power generated by internal power regulator which is used for core operation power (VCC1A8, VCC1V8).<br>Between the 1V8O and GND, Be sure to connect a 3.3uF tantalum capacitor for output frequency compensation and a 0.1uF capacitor for high frequency noise decoupling.<br>1V8O is connected to VCC1V8, separated to 1uH inductor and connected to VCC1A8.<br><Notice> 1V8O is the power supply for W7100A use only. This supply should not be connected with any other devices. |

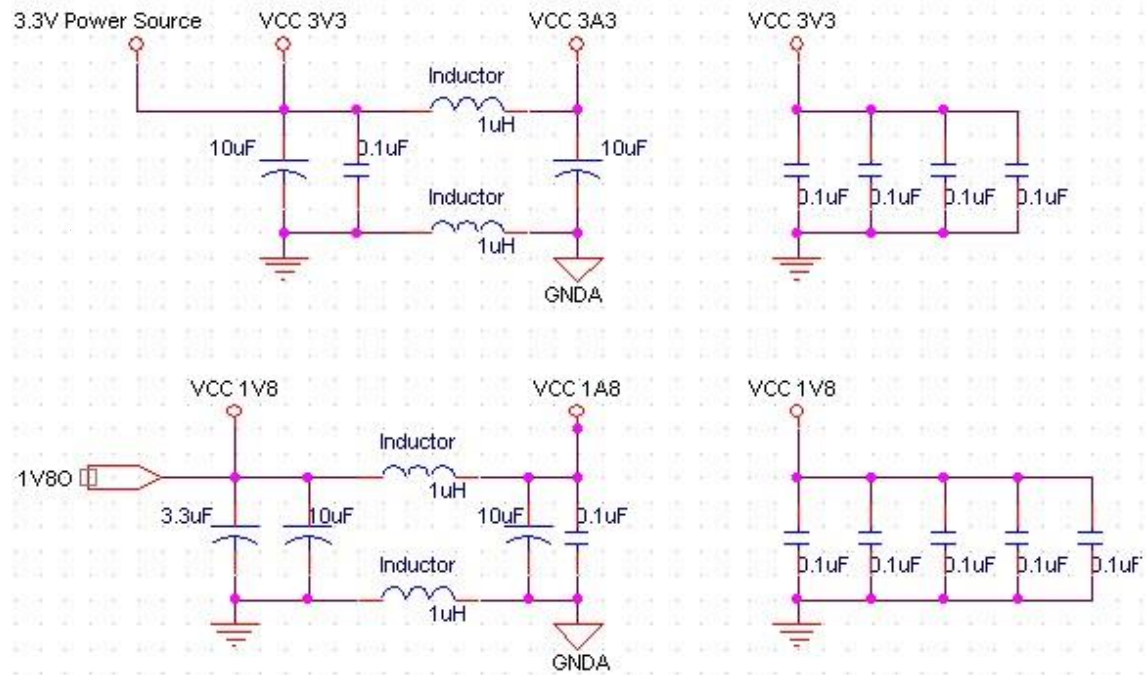


Figure 1.9 Power Design

## 1.5 64pin package description

### 1.5.1 Difference between 100 and 64pin package

| Difference       | 64 pin                                                                                                                                                | 100 pin            |
|------------------|-------------------------------------------------------------------------------------------------------------------------------------------------------|--------------------|
| Deleted pin      | T0, T1, GATE0, GATE1, T2, T2EX, nINT1, nINT2, nINT3, FDXLED, COLLED, RXLED, TXLED, PM2, PM1, PM0, EXTAL, EXTDATAWR, EXTDATARD, GPIO3[0:7], GPIO2[3:7] | -                  |
| External memory  | X                                                                                                                                                     | O                  |
| PHY mode setting | only use SFR                                                                                                                                          | use SFR or PM pins |
| GPIO             | max 19pin                                                                                                                                             | max 32pin          |

\*Note: In case of 64pin package, the PHY mode is must be set by PHYCONF SFR. So, user must set the MODE\_EN bit to enable the MODE2 ~ 0 bit configuration. Then set the MODE2 ~ 0 value and reset the PHY controlling the PHY\_RSTn bit. After the reset the 64pin package chip will be successfully initialized and operate properly. **When the user uses the 64pin package chip, the code below must be executed in chip initialize routine.**

For more detailed information about the PHYCONF SFR, please refer to the section 2.5.10 'New & Extended SFR'.



```
PHYCONF |= 0x08; // MODE_EN bit enable
PHYCONF &= 0xF8; // MODE2 ~ 0 value is 0 (normal mode); Auto configuration mode
PHYCONF |= 0x20; // Set the PHY_RSTn bit (reset bit)
Delay(); // Delay for reset timing (refer to the section 10 'Reset Timing')
PHYCONF &= ~(0x20); // Clear the PHY_RSTn bit
```

## 2 Memory

The W7100A's memory is divided into two types of memories: "Code Memory" and "Data Memory". Each memory can use the memory lock function. If the lock is set, internal memory accessing from outside is denied and also cannot use the W7100A debugger. For more detailed information about the memory lock function, please refer to the "WizISP Program Guide". The memory structure of W7100A is roughly shown figure 2.1.

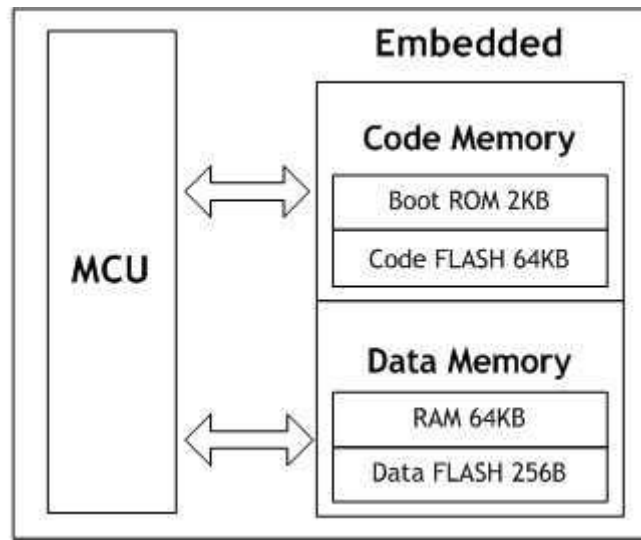


Figure 2.1 Code / Data Memory Connections

**\*Note:**

We recommend the use of an external Power Supply Low Voltage Detector to prevent system malfunction during periods of insufficient power supply voltage.

It can be prevented Non-volatile Memory Corruption, SRAM Corruption and CPU Register Corruption. Please refer to the iMCU7100EVB's Schematic on [WIZnet website](#).

(Example ICs : MAX811, MIC811, DS1811)

## 2.1 Code Memory

“Code Memory” consists the Boot ROM from 0x0000 to 0x07FF and Code FLASH from 0x0000 to 0xFFFF. After the system is reset, the W7100A always executes the code of Boot ROM at “Code Memory.” According to the BOOTEN pin, the code of Boot ROM executes differently. Figure 2.2 shows the flow of Boot ROM code. After the booting, the system proceeds to either the ISP process or the APP Entry according to the BOOTEN pin. When ISP process is selected (BOOTEN = ‘1’), the ISP code of the Boot ROM will run. Otherwise ( BOOTEN = ‘0’), the system jumps to the APP Entry without running the ISP code of Boot ROM.

ISP code is used for WizISP program when writing user code to code FLASH. And the APP Entry is used for running user application code. The APP Entry contains the ‘memory map switching code’ and the jumping code which jumps to the start address 0x0000 of the user application in Code FLASH memory. The memory map switching is as below.

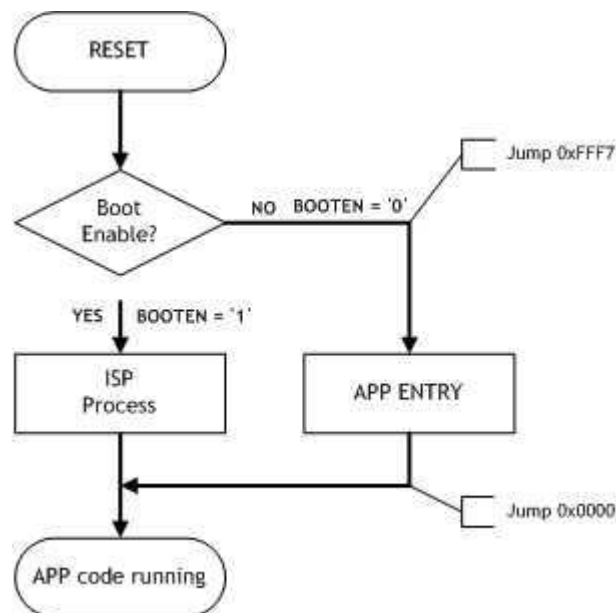


Figure 2.2. Boot Sequence Flowchart

The initial state of W7100A has both ‘Boot ROM / APP Entry’ and FLASH as shown in Figure 2.3. But since the addresses of ‘Boot ROM / APP Entry’ and FLASH are overlapped, they use same address at 0x0000 - 0x07FF / 0xFFF7 - 0xFFFF. The iMCU W7100A respectively maps the ‘Boot ROM / APP Entry’ and FLASH(64K) to the code and data memory.

The user application code can be written to the FLASH(mapped to data memory). But in this state, the FLASH cannot be used as a code memory because this state is for writing user application code. To use the FLASH as a code memory, the memory map needs to be switched. To do this, user should select APP Mode by setting the BOOTEN pin to ‘0’, and then the Boot ROM code jumps to APP Entry immediately. Next, the APP Entry un-maps the Boot ROM and maps the Code FLASH to code memory. After switching the code memory map, the APP Entry

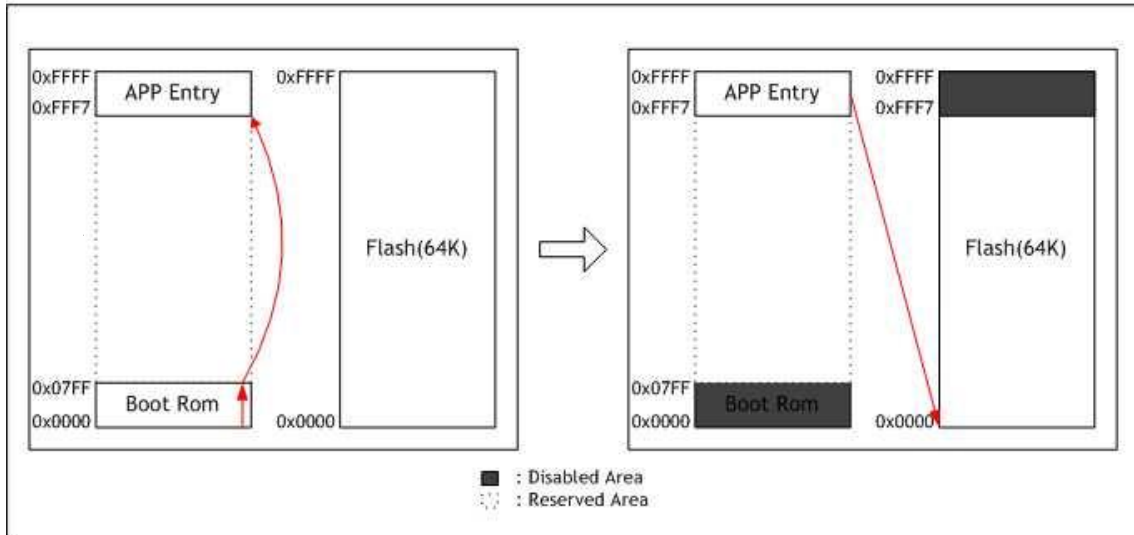


Figure 2.3 APP Entry Process

jumps to start address of Code FLASH (0x0000). This flow is shown in Figure 2.3.

If the APP Mode is selected, the Code FLASH 64KB can be used as a code memory. But both FLASH and APP Entry are still overlapped at the same address. Therefore, to use all FLASH 64KB, the APP Entry must be un-mapped from “Code Memory.” To un-map APP Entry, user should set RB bit in WCONF(0xFF) to ‘0’ at the user startup code. Then the APP Entry is un-mapped as shown below.

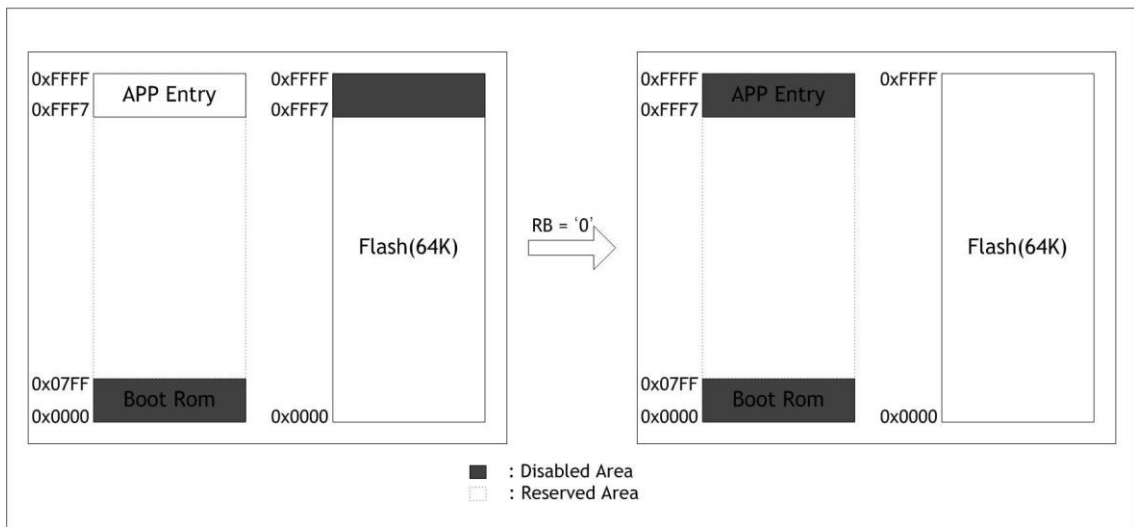


Figure 2.4 Changing the code memory Status at RB = ‘0’

| WCONF (0xFF) |       |     |     |     |          |    |    |       |
|--------------|-------|-----|-----|-----|----------|----|----|-------|
| 7            | 6     | 5   | 4   | 3   | 2        | 1  | 0  | Reset |
| RB           | ISPEN | EM2 | EM1 | EM0 | Reserved | FB | BE | 0x00  |

When the Code FLASH takes more than 0xFFFF7, the below code must be inserted into startup code. If using this method, the W7100A immediately disables the APP Entry address after its system reset.

```
ANL    0FFH,    #07FH    ; Clear Reboot flag
```

Set the BOOTEN pin to '0' and clear the RB bit of WCONF register at the startup code. Then the embedded Code FLASH 64KB memory of the W7100A can be completely used as a code memory.

### 2.1.1 Code Memory Wait States

The wait states are managed by internal WTST(0x92) register. The number of wait states is fixed by the value stored in the WTST register. Please refer to the section 2.5.10 'New & Extended SFR' for more details.

## 2.2 Data Memory

The W7100A contains 64KB of embedded RAM, 64KB of TCPIPCore and the 255Byte of the Data FLASH. The Data FLASH can be used for saving user IP, MAC, subnet mask or port number. Also the W7100A can address up to 16M bytes of external Data Memory. The figure below shows the Data Memory map. This memory is accessed by MOVX instructions only. The external memory can be extended by user.

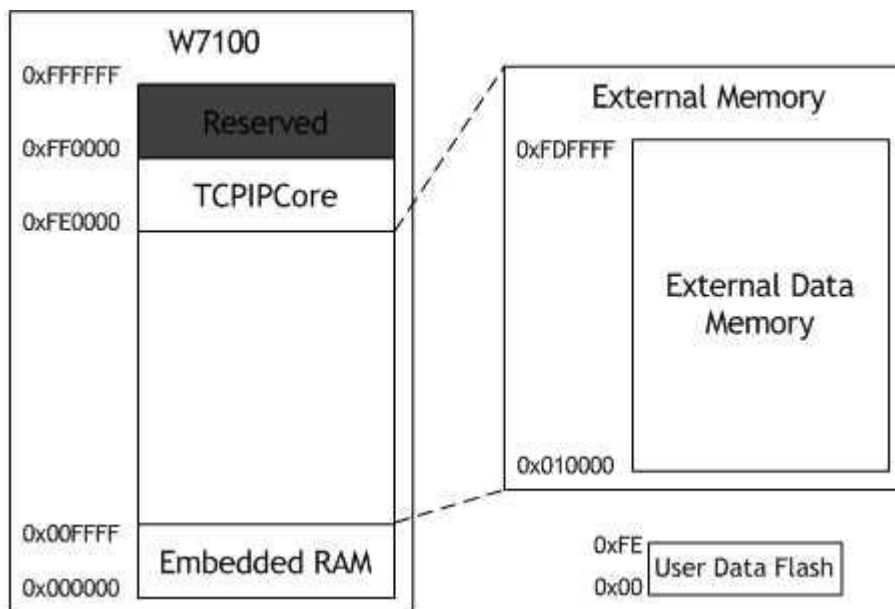


Figure 2.5 Data Memory Map

## 2.2.1 Data Memory Wait States

The Data Memory wait states are managed by CKCON(0x8E). The number of wait states is fixed to the value stored inside CKCON register. Please refer to the section 2.5.10 ‘New & Extended SFR’ for more detailed information.

## 2.3 External Data Memory Access

The external address pin and data pin has two access modes. The first mode is to use latch to address line in standard 8051. And the second method is directly connecting all lines to address line. Also user can use address pin and data pin as GPIO (General Purpose I/O). Please refer to the section 10 ‘Electrical specification’ for the speed of external memory accessing.

Table 2.1 External memory access mode

| Mode       | EM[2:0] | P0                  | P1        | P2         | P3          |
|------------|---------|---------------------|-----------|------------|-------------|
| Standard 1 | 001     | Addr[7:0]/Data[7:0] | GPIO      | Addr[15:8] | GPIO        |
| Standard 2 | 011     | Addr[7:0]/Data[7:0] | GPIO      | Addr[15:8] | Addr[23:16] |
| Direct 1   | 101     | Data[7:0]           | Addr[7:0] | Addr[15:8] | GPIO        |
| Direct 2   | 111     | Data[7:0]           | Addr[7:0] | Addr[15:8] | Addr[23:16] |

### 2.3.1 Standard 8051 Interface

This method is same as external interface of general 8051. But the range of accessible address is changed refer to the setting of EM[2:0] (External Memory Mode) which spaced WCONF(0xFF) of SFR register. When user sets the EM[2:0] to “001”, the port0 is used as address/data bus and the port2 is used as upper side address (A[15:8]). The port1 and port3 is used as GPIO.

**Note :**

The external memory interface using standard 8051 interface has an erratum where the ALE signal turns on after the WR/RD signal is enabled; the ALE signal is supposed to turn on before the WR/RD signal is enabled. To resolve this erratum, OR the WR/RD signal with ALE signal and connect it to the external memory’s nWR and nOE.

For more details, please refer to document ‘W7100A Errata sheet - Erratum3.’

It is shown the figure below.

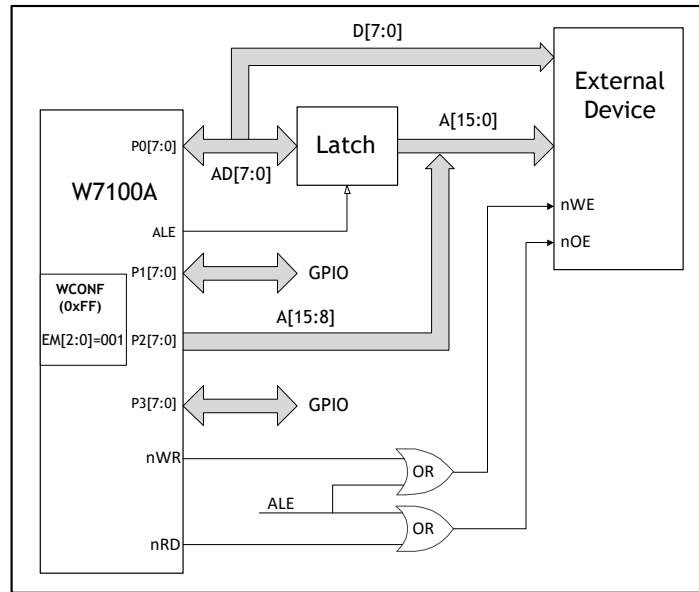


Figure 2.6 Standard 8051 External Pin Access Mode (EM[2:0] = “001”)

When user sets the EM[2:0] to “011”, as in the previous case, the port0 is used as address/data bus and the port2 is used as upper side address (A[15:8]). But, since the port3 is used as topside address (A[23:16]), the range of accessible address is expanded. The remained port1 is used as GPIO. It is shown the figure below.

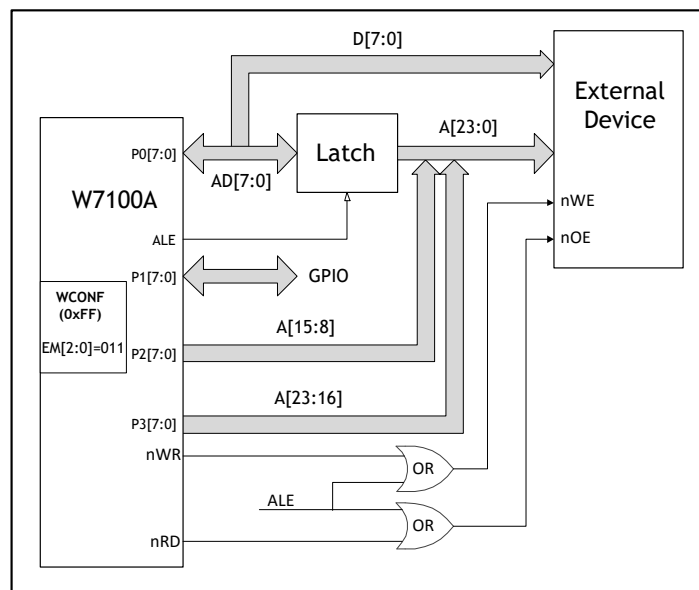


Figure 2.7 Standard 8051 External Pin Access Mode (EM[2:0] = “011”)

In the Standard 8051 External pin access mode, MCU controls the ALE (Address Latch Enable) signal to classify the address and data signal. User can configure the duration of ALE signal using the ALECON(0x9F) SFR. For more detailed information about ALECON, please refer to the section 2.5.10 ‘New & Extended SFR’.

### 2.3.2 Direct Interface

This method is directly connecting the data line to address line. When user sets the EM[2:0] to “101”, the port0 is used as data line (D[7:0]) and the port1 is lower side address (A[7:0]) and the port2 is used as upper side address (A[15:8]). The remained port3 can be used as GPIO. Using this method, user can connect data line to address line without latch. It is shown the figure 2.8 as below.

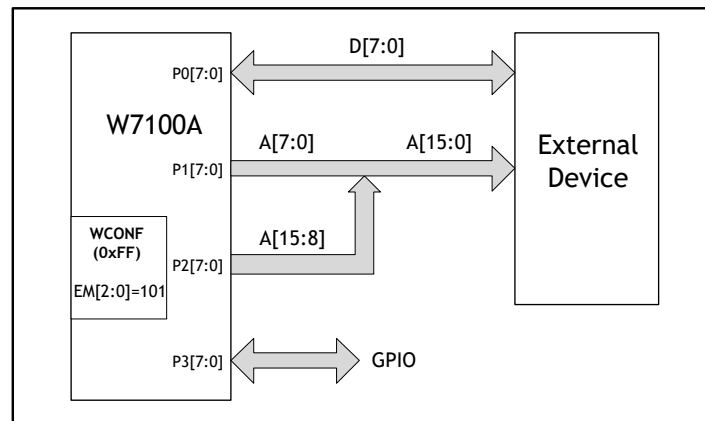


Figure 2.8 Direct 8051 External Pin Access Mode (EM[2:0] = “101”)

When user sets the EM[2:0] to “111”, the port0, port1 and port2 has same usage in the previous case and the port3 is used as topside address (A[23:16]). In this method, there is no port to use GPIO. It is shown the figure below.

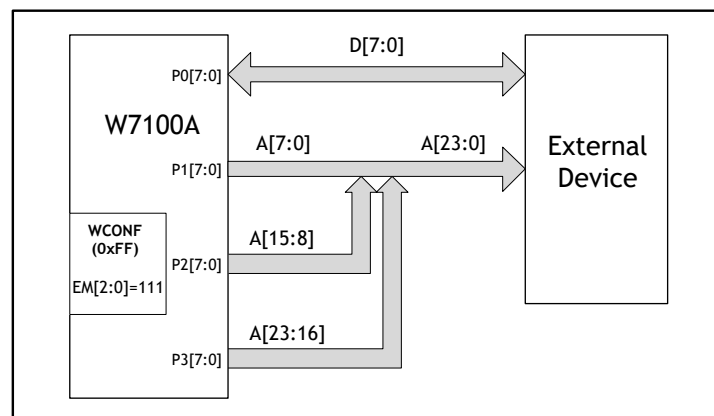


Figure 2.9 Direct 8051 External Pin Access Mode (EM[2:0] = “111”)



## 2.4 Internal Data Memory and SFR

The Figure below shows the Internal Memory and Special Function Registers (SFR) map.

|      |                                                                                                |                                                                               |
|------|------------------------------------------------------------------------------------------------|-------------------------------------------------------------------------------|
| 0xFF | <b>Upper Internal RAM shared with Stack space</b><br><i>(indirect addressing)</i>              | <b>SFR</b><br><b>Special Function Registers</b><br><i>(direct addressing)</i> |
| 0x80 |                                                                                                |                                                                               |
| 0x7F | <b>Lower Internal RAM shared with Stack space</b><br><i>(direct &amp; indirect addressing)</i> |                                                                               |
| 0x30 | bit addressable area                                                                           |                                                                               |
| 0x2F |                                                                                                |                                                                               |
| 0x20 | 4 banks, R0-R7 each                                                                            |                                                                               |
| 0x1F |                                                                                                |                                                                               |
| 0x00 |                                                                                                |                                                                               |

Figure 2.10 Internal Memory Map

The lower internal RAM consists of four register banks with eight registers each, a bit-addressable segment with 128 bits (16 bytes) that begins at 0x20, and a scratchpad area with 208 bytes is embedded. With **indirect** addressing mode ranging from 0x80 to 0xFF, the highest 128 bytes is accessed as an internal memory. But with **direct** addressing mode ranging from 0x80 to 0xFF, this area is accessed as a SFR memory.

|      |       |       |         |         |          |          |          |          |      |
|------|-------|-------|---------|---------|----------|----------|----------|----------|------|
| 0xF8 | EIP   | DPSBK |         |         |          |          | PHYCONF  | WCONF    | 0xFF |
| 0xFD | B     | ISPID | ISPADDR | ISPADDR | ISPDATA  | CKCBK    | DPX0BK   | DPX1BK   | 0xF7 |
| 0xE8 | EIE   |       | MXAX    | P0_PU   | P1_PU    | P2_PU    | P3_PU    | PHY_IND  | 0xEF |
| 0xED | ACC   |       |         | P0_PD   | P1_PD    | P2_PD    | P3_PD    |          | 0xE7 |
| 0xD8 | WDCON |       |         |         | CLK_CNT0 | CLK_CNT1 | CLK_CNT2 | CLK_CNT3 | 0xDF |
| 0xD0 | PSW   |       |         |         |          |          |          |          | 0xD7 |
| 0xC8 | T2CON |       | RLDL    | RLDH    | TL2      | TH2      |          |          | 0xCF |
| 0xC0 |       |       |         |         |          | Reserved |          | TA       | 0xC7 |
| 0xB8 | IP    |       |         |         |          |          |          |          | 0xBF |
| 0xB0 | P3    |       |         |         |          |          |          |          | 0xB7 |
| 0xA8 | IE    |       |         |         |          |          |          |          | 0xAF |
| 0xA0 | P2    |       |         |         |          |          |          |          | 0xA7 |
| 0x98 | SCON0 | SBUF  |         |         | INTWTST  | EXTWTST  |          | ALECON   | 0x9F |
| 0x90 | P1    | EIF   | WTST    | DPX0    |          | DPX1     |          |          | 0x97 |
| 0x88 | TCON  | TMOD  | TL0     | TL1     | TH0      | TH1      | CKCON    |          | 0x8F |
| 0x80 | P0    | SP    | DPL0    | DPH0    | DPL1     | DPH1     | DPS      | PCON     | 0x87 |

Figure 2.11 SFR Memory Map

**New SFR** - New additional SFR, described in this section

**Extended SFR** - Extended from standard 8051, described in this section

**Standard** - standard 8051 SFR, described in this section

All of the SFR in the left hand side column ending with 0 or 8 are bit addressable.

## 2.5 SFR definition

The following section describes SFR of W7100A and its functions. For more detailed information about peripheral SFR, please refer to the section 2.5.11 ‘Peripheral SFR’.

### 2.5.1 Program Code Memory Write Enable Bit

Inside the PCON register, the Program Write Enable (PWE) bit is used to enable/disable Program Write signal activity during MOVX instructions.

When the PWE bit is set to logic ‘1’, the “MOVX @DPTR, A” instruction writes the data from the accumulator register into the code memory addressed by using the DPTR register (active DPH:DPL)

The “MOVX @Rx, A” instruction writes the data from the accumulator register into code memory addressed by using the P2 register (bits 15:8) and Rx register (bits 7:0).

| 7     | 6 | 5 | 4   | 3 | 2 | 1 | 0 | Reset |
|-------|---|---|-----|---|---|---|---|-------|
| SMOD0 | - | - | PWE | - | 0 | 0 | 0 | 0x00  |

Figure 2.12 PWE bit of PCON Register

**Note:** 1. PCON.2 ~ PCON.0 bits are reserved. They must be set to ‘0’

### 2.5.2 Program Code Memory Wait States Register

Wait states register provides the information for code memory access time.

| 7 | 6 | 5 | 4 | 3 | 2      | 1      | 0      | Reset |
|---|---|---|---|---|--------|--------|--------|-------|
| - | - | - | - | - | WTST.2 | WTST.1 | WTST.0 | 0x07  |

Figure 2.13 Code memory Wait States Register

**Note:** 1. These bits are considered during program fetches and MOVX instructions only.

Since code memory write are performed by MOVX instruction, CKCON register regulates the CODE-WR pulse width.

2. Read cycle takes minimal 4 clock period and maximal 8 clock periods.

Table 2.2 WTST Register Values

| WTST[2:0] | Access Time [clk] |
|-----------|-------------------|
| 7         | 8                 |
| 6         | 7                 |
| 5         | 6                 |
| 4         | 5                 |
| 3         | Not Used          |
| 2         | Not Used          |
| 1         | Not Used          |
| 0         | Not Used          |

During Instruction fetching, code memory can be accessed by MOVC instruction only. The code memory can be read with minimal 4 wait states. The timing diagrams are shown in the Figures below.

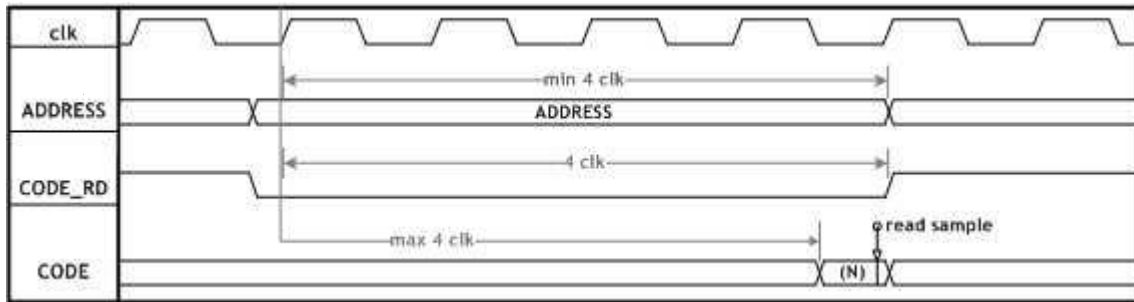


Figure 2.14 Waveform for code memory Synchronous Read Cycle with Minimal Wait States (WTST = '4')

- Note:**
1. clk - System clock frequency (88.4736 MHz)
  2. ADDRESS - Address of the actual modified program byte
  3. CODE\_RD - Read signal of the code memory
  4. CODE - Data write to the actual modified program byte

The code memory can be written by MOVX instruction with minimal 4 wait states. It allows W7100A core to operate with fast and slow code memory devices. The timing diagrams are shown in the Figure below.

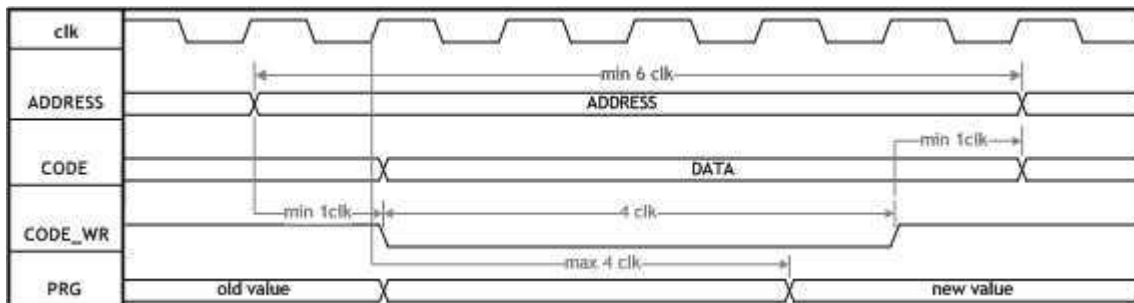


Figure 2.15 Waveform for code memory Synchronous Write Cycle with Minimal Wait States (WTST = '4')

- Note:**
1. clk - System clock frequency (88.4736 MHz)
  2. ADDRESS - Address of the actual modified program byte
  3. CODE - Data write to the actual modified program byte
  4. CODE\_WR - Write signal of the code memory
  5. PRG - State of the code memory

### 2.5.3 Data Pointer Extended Registers

Data Pointer Extended registers, DPX0, DPX1 and MXAX, hold the most significant part of memory addresses when accessing to data located above 64KB. After reset, DPX0, DPX1, and MXAX restores to the default value 0x00.

| DPX0 (0x93) |       |       |       |       |       |       |       |       |
|-------------|-------|-------|-------|-------|-------|-------|-------|-------|
| 7           | 6     | 5     | 4     | 3     | 2     | 1     | 0     | Reset |
| DPXP.7      | DPX.6 | DPX.5 | DPX.4 | DPX.3 | DPX.2 | DPX.1 | DPX.0 | 0x00  |

Figure 2.16 Data Pointer Extended Register

| DPX1 (0x95) |        |        |        |        |        |        |        |       |
|-------------|--------|--------|--------|--------|--------|--------|--------|-------|
| 7           | 6      | 5      | 4      | 3      | 2      | 1      | 0      | Reset |
| DPX1.7      | DPX1.6 | DPX1.5 | DPX1.4 | DPX1.3 | DPX1.2 | DPX1.1 | DPX1.0 | 0x00  |

Figure 2.17 Data Pointer Extended Register

| MXAX (0xEA) |        |        |        |        |        |        |        |       |
|-------------|--------|--------|--------|--------|--------|--------|--------|-------|
| 7           | 6      | 5      | 4      | 3      | 2      | 1      | 0      | Reset |
| MXAM.7      | MXAX.6 | MXAX.5 | MXAX.4 | MXAX.3 | MXAX.2 | MXAX.1 | MXAX.0 | 0x00  |

Figure 2.18 MOVX @RI Extended Register

When MOVX instruction uses DPTR0/DPTR1 register, the most significant part of the address A[23:16] is always equal to the content of DPX0(0x93)/DPX1(0x95). When MOVX instruction uses R0 or R1 register, the most significant part of the address A[23:16] is always equal to the content of MXAX(0xEA) while another A[15:8] is always equal to P2(0xA0) contents.

### 2.5.4 Data Pointer Registers

Dual data pointer registers are implemented to speed up data block copying. DPTR0 and DPTR1 are located in four SFR addresses. Active DPTR register is selected by SEL bit (0x86.0). If the SEL bit set to '0', DPTR0 (0x83:0x82) is selected, otherwise DPTR1 (0x85:0x84) is selected.

| DPTR0(0x83:0x82) |   |   |   |   |   |   |   |            |   |   |   |   |   |       |   |        |
|------------------|---|---|---|---|---|---|---|------------|---|---|---|---|---|-------|---|--------|
| DPH0(0x83)       |   |   |   |   |   |   |   | DPL0(0x82) |   |   |   |   |   | Reset |   |        |
| 7                | 6 | 5 | 4 | 3 | 2 | 1 | 0 | 7          | 6 | 5 | 4 | 3 | 2 | 1     | 0 | 0x0000 |
|                  |   |   |   |   |   |   |   |            |   |   |   |   |   |       |   |        |

Figure 2.19 Data Pointer Register DPTR0

| DPTR1(0x85:0x84) |   |   |   |   |   |   |   |            |   |   |   |   |   |       |   |        |
|------------------|---|---|---|---|---|---|---|------------|---|---|---|---|---|-------|---|--------|
| DPH1(0x85)       |   |   |   |   |   |   |   | DPL1(0x84) |   |   |   |   |   | Reset |   |        |
| 7                | 6 | 5 | 4 | 3 | 2 | 1 | 0 | 7          | 6 | 5 | 4 | 3 | 2 | 1     | 0 | 0x0000 |
|                  |   |   |   |   |   |   |   |            |   |   |   |   |   |       |   |        |

Figure 2.20 Data Pointer 1 Register DPTR1

| DPS (0x86) |     |     |   |   |   |   |     |       |
|------------|-----|-----|---|---|---|---|-----|-------|
| 7          | 6   | 5   | 4 | 3 | 2 | 1 | 0   | Reset |
| ID1        | ID0 | TSL | - | - | - | - | SEL | 0x00  |

Figure 2.21 Data Pointer Select Register

**Note:** TSL - Toggle select enable. When TSL is set, this bit toggles the SEL bit by executing the following instructions.

```

INC DPTR
MOV DPTR, #data16
MOVC A, @A + DPTR
MOVX @DPTR, A
MOVX A, @DPTR
  
```

When TSL = 0, DPTR related instructions will not affect the state of the SEL bit.

Unimplemented bit - Read as 0 or 1.

Table 2.3 DPTR0, DPTR1 Operations

| ID1 | ID0 | SEL = 0  | SEL = 1   |
|-----|-----|----------|-----------|
| 0   | 0   | INC DPTR | INC DPTR1 |
| 0   | 1   | DEC DPTR | INC DPTR1 |
| 1   | 0   | INC DPTR | DEC DPTR1 |
| 1   | 1   | DEC DPTR | DEC DPTR1 |

Selected data pointer register is used in the following instructions:

```

MOVX @DPTR, A
MOVX A, @DPTR
MOVC A, @A + DPTR
JMP @A + DPTR
INC DPTR
MOV DPTR, #data16
  
```

## 2.5.5 Clock Control Register

Clock control register CKCON (0x8E) contains MD [2:0] bits which provide the information for the dedicated data memory read/write signal pulses width.

| CKCON (0x8E) |     |   |   |   |     |     |     |       |
|--------------|-----|---|---|---|-----|-----|-----|-------|
| 7            | 6   | 5 | 4 | 3 | 2   | 1   | 0   | Reset |
| WD1          | WD0 | - | - | - | MD2 | MD1 | MD0 | 0x07  |

Figure 2.22 Clock Control Register - STRETCH bits

The dedicated data memory read/write signals are activated during MOVX instruction. The purpose of MD[2:0] is to adjust the communication speed with I/O devices such as slow RAM, LCD displays, etc. After reset, MD[2:0] will be restored to the default value of 0x07, which means that slow devices work properly. Users can change the MD[2:0] value to speed up/slow down the software execution. The value of MD[2:0] can be changed any time during program execution (e.g. between MOVX and different speed devices).

Table 2.4 MD[2:0] Bit Values

| MD[2:0] | Pulse Width[clock] |
|---------|--------------------|
| 7       | 8                  |
| ...     | ...                |
| 2       | 3                  |
| 1       | Not Used           |
| 0       | Not Used           |

This read/write pulse width must have a minimum of 3 clock cycle and a maximum of 8 clock cycle.

### 2.5.6 Internal Memory Wait States Register

Internal Memory Wait States Register INTWTST(0x9C) is used for setting the access time of internal 64KB RAM, TCPIPCore and 255Byte internal flash.

INTWTST (0x9C)

| 7        | 6 | 5              | 4 | 3 | 2          | 1 | 0 | Reset |
|----------|---|----------------|---|---|------------|---|---|-------|
| Ram WTST |   | TCPIPCore WTST |   |   | Flash WTST |   |   | 0xFF  |

Figure 2.23 Internal Memory Wait States Register

- Ram WTST: Set the 64Kbytes RAM access time, has two 2bit value 0 - 3.
- TCPIPCore WTST: Set the TCPIPCore access time, has 3bit value 0 - 7.
- Flash WTST: Set the internal flash access time, has 3bit value 0 - 7.

Internal ram WTST value means below access time in table 2.3.

Table 2.5 Ram WTST Bit Values

| WTST | Pulse Width[clock] |
|------|--------------------|
| 3    | 5                  |
| 2    | 4                  |
| 1    | 3                  |
| 0    | 2                  |

TCPIPCore, Internal flash WTST value means below access time in table 2.4.

Table 2.6 TCPIPCore / Flash WTST Bit Values

| WTST | Pulse Width[clock] |
|------|--------------------|
| 7    | 10                 |
| 6    | 9                  |
| 5    | 8                  |
| 4    | 7                  |
| 3    | 6                  |
| 2    | 5                  |
| 1    | 4                  |
| 0    | 3                  |

## 2.5.7 Address Latch Enable Register

ALECON SFR is used for standard 8051 external pin access mode. The time duration of ALE (Address Latch Enable) signal can be controlled by ALECON SFR.

If we set the ALECON to 1, ALE signal will be down to '0' after 1 clock. If we set it to 'n', ALE signal maintains 1+n clock and down to '0'.

ALE maintain duration = ALECON value + 1 clock

The initial value of ALECON is 0xFF. User can configure this value depending on external device speed.

| ALECON (0x9F) |      |      |      |      |      |      |      |       |
|---------------|------|------|------|------|------|------|------|-------|
| 7             | 6    | 5    | 4    | 3    | 2    | 1    | 0    | Reset |
| AC.7          | AC.6 | AC.5 | AC.4 | AC.3 | AC.2 | AC.1 | AC.0 | 0xFF  |

Figure 2.24 Internal Memory Wait States Register

## 2.5.8 External Memory Wait States Register

EXTWTST SFR is used for configuring the timing of external memory access. Using the 16bit of this SFR user can control the value from 0 to 65535.

| EXTWTST0 (0x9D) |      |      |      |      |      |      |      |       |
|-----------------|------|------|------|------|------|------|------|-------|
| 7               | 6    | 5    | 4    | 3    | 2    | 1    | 0    | Reset |
| EW.7            | EW.6 | EW.5 | EW.4 | EW.3 | EW.2 | EW.1 | EW.0 | 0xFF  |

Figure 2.25 First Byte of Internal Memory Wait States Register

| EXTWTST1 (0x9E) |       |       |       |       |       |      |      |       |
|-----------------|-------|-------|-------|-------|-------|------|------|-------|
| 7               | 6     | 5     | 4     | 3     | 2     | 1    | 0    | Reset |
| EW.15           | EW.14 | EW.13 | EW.12 | EW.11 | EW.10 | EW.9 | EW.8 | 0xFF  |

Figure 2.26 Second Byte of Internal Memory Wait States Register

## 2.5.9 Stack Pointer

The W7100A has an 8-bit stack pointer called SP(0x81) and is located in the internal RAM space.

| SP (0x81) |      |      |      |      |      |      |      |       |
|-----------|------|------|------|------|------|------|------|-------|
| 7         | 6    | 5    | 4    | 3    | 2    | 1    | 0    | Reset |
| SP.7      | SP.6 | SP.5 | SP.4 | SP.3 | SP.2 | SP.1 | SP.0 | 0x07  |

Figure 2.27 Stack Pointer Register

This pointer is incremented before data is stored in PUSH and CALL executions, and decremented after data is popped in POP, RET, and RETI executions. In other words, the Stack pointers always points to the last valid stack byte.

## 2.5.10 New & Extended SFR

**PHY\_IND(0xEF):** PHY indicator register, shows the current state of internal PHY in W7100A.

| PHY_IND (0xEF) |   |   |   |   |     |     |      |       |
|----------------|---|---|---|---|-----|-----|------|-------|
| 7              | 6 | 5 | 4 | 3 | 2   | 1   | 0    | Reset |
|                |   |   |   |   | FDX | SPD | LINK | 0x00  |

Figure 2.28 PHY Status Register

**Note:**

- FDX : 0 - Full duplex / 1 - Half duplex
- SPD : 0 - 100Mbps / 1 - 10Mbps
- LINK : 0 - The link is down / 1 - The link is up

**ISPID(0xF1) :** ID Register for ISP.

**ISPADDR16(0xF2) :** 16bit Address Register for ISP

**ISPDATA(0xF4) :** Data Register for ISP.

**CKCBK(0xF5) :** CKCON Backup Register.

**DPX0BK(0xF6) :** DPX0 Backup Register.

**DPX1BK(0xF7) :** DPX1 Backup Register.

**DPSBK(0xF9) :** DPX Backup Register.

**RAMBA16(0xFA) :** RAM Base Address Register.

**RAMEA16(0xFC) :** RAM End Address Register.

**PHYCONF (0xFE):** W7100A PHY operation mode, reset, power down configuration register

| PHYCONF (0xFE) |   |          |          |         |       |       |       |       |
|----------------|---|----------|----------|---------|-------|-------|-------|-------|
| 7              | 6 | 5        | 4        | 3       | 2     | 1     | 0     | Reset |
| -              | - | PHY_RSTn | PHY_PWDN | MODE_EN | MODE2 | MODE1 | MODE0 | 0x00  |

Figure 2.29 Internal PHY Configuration Register



**Note:** PHY\_RSTn: Reset the Internal PHY of W7100A, if user want to reset the PHY using this bit, set this bit '1' first, then manually clear to '0' after the reset time. About the reset time please refer to the section 10 'Electrical Specification'.

PHY\_PWDN: 1- Power down mode: turn off the embedded Ethernet PHY to save power consumption

0 - Normal operation mode.

MODE\_EN : 1 - Configure W7100A operation mode using the MODE2 - 0 bit / 0 - don't use MODE2 - 0 bit. **In the QFN 64pin package, must use this bit and MODE2 - 0 bits to configure the operation mode of W7100A**

MODE2 - 0: Please refer to the section 1.4.2 'Pin Description' PM2 - 0 pin setting value, MODE2 - 0 bit are same as PM2 - 0 pin.

- : Reserved, must be set to '0'

ex> usage of mode selection using MODE2 - 0

```
PHYCONF |= 0x08; // MODE_EN bit enable
PHYCONF &= 0xF8; // MODE2 - 0 value is 0 (normal mode); Auto configuration mode
PHYCONF |= 0x20; // Set the PHY_RSTn bit (reset bit)
Delay(); // Delay for reset timing(refer to the section 10 'Electrical Specification')
PHYCONF &= ~(0x20); // Clear the PHY_RSTn bit
```

**WCONF(0xFF):** W7100A configuration register

| WCONF (0xFF) |       |     |     |     |          |    |    | Reset |
|--------------|-------|-----|-----|-----|----------|----|----|-------|
| 7            | 6     | 5   | 4   | 3   | 2        | 1  | 0  |       |
| RB           | ISPEN | EM2 | EM1 | EM0 | Reserved | FB | BE | 0x00  |

Figure 2.30 W7100A Configuration Register

**Note:**

RB : 0 - No Reboot / 1 - Reboot after the ISP done (APP Entry(0xFFFF7 ~ 0xFFFFF)

RD/WR Enable)

ISPEN : 0 - Enable ISP in Boot built in W7100A / 1 - Disable

EM[2:0] : External memory mode, please refer to the section 2.3 'External Data Memory Access'.

FB : FLASH Busy Flag for ISP. Read only.

BE : Boot Enable (1 - Boot Running / 0 - Apps Running). Read only.

**CLKCNT0(0xDC):** W7100A core clock count register bit0 - 7.

| CLK_CNT0 (0xDC) |      |      |      |      |      |      |      |       |
|-----------------|------|------|------|------|------|------|------|-------|
| 7               | 6    | 5    | 4    | 3    | 2    | 1    | 0    | Reset |
| Bit7            | Bit6 | Bit5 | Bit4 | Bit3 | Bit2 | Bit1 | Bit0 | 0x00  |

Figure 2.31 Core clock count register

**Note:** CLK\_CNT is 32bit SFR, reset value is 0, increase its value at every core clock. This SFR is used for counting core clock or measuring time or clock.

ex> 1 second = about 88000000 clock count (core clock is about 88MHz)

**CLKCNT0(0xDD):** W7100A core clock count register bit8 - 15.

| CLK_CNT1 (0xDD) |       |       |       |       |       |      |      |       |
|-----------------|-------|-------|-------|-------|-------|------|------|-------|
| 7               | 6     | 5     | 4     | 3     | 2     | 1    | 0    | Reset |
| Bit15           | Bit14 | Bit13 | Bit12 | Bit11 | Bit10 | Bit9 | Bit8 | 0x00  |

Figure 2.32 Core clock count register

**CLKCNT0(0xDE):** W7100A core clock count register bit16 - 23.

| CLK_CNT2 (0xDE) |       |       |       |       |       |       |       |       |
|-----------------|-------|-------|-------|-------|-------|-------|-------|-------|
| 7               | 6     | 5     | 4     | 3     | 2     | 1     | 0     | Reset |
| Bit23           | Bit22 | Bit21 | Bit20 | Bit19 | Bit18 | Bit17 | Bit16 | 0x00  |

Figure 2.33 Core clock count register

**CLKCNT0(0xDF):** W7100A core clock count register bit24 - 31.

| CLK_CNT3 (0xDF) |       |       |       |       |       |       |       |       |
|-----------------|-------|-------|-------|-------|-------|-------|-------|-------|
| 7               | 6     | 5     | 4     | 3     | 2     | 1     | 0     | Reset |
| Bit31           | Bit30 | Bit29 | Bit28 | Bit27 | Bit26 | Bit25 | Bit24 | 0x00  |

Figure 2.34 Core clock count register

## 2.5.11 Peripheral Registers

**P0, P1, P2, P3 :** Port register. For detail information, please refer to the section 4 'I/O Ports' for the Functionality of I/O Ports.

**TCON(0x88) :** Timer0, 1 configuration register. For detail information, please refer to the section 5.1 'Timer 0, 1' for the Functionality of Timer0 and Timer 1.

**TMOD(0x89) :** Timer0, 1 control mode register. For detail information, please refer to the section 5.1 'Timer 0, 1' for the Functionality of Timer0 and Timer 1.

**TH0(0x8C), TL0(0x8A) :** Counter register of timer 0. For detail information, please refer to

the section 5.1 'Timer 0, 1' for the Functionality of Timer0 and Timer 1.

**TH1(0x8D), TL1(0x8B)** : Counter register of timer 1. For detail information, please refer to the section 5.1 'Timer 0, 1' for the Functionality of Timer0 and Timer 1.

**SCON(0x98)** : UART Configuration Register. For detail information, please refer to the section 6 'UART' for the Functionality of UART.

**SBUF(0x99)** : UART Buffer Register. For detail information, please refer to the section 6 'UART' for the Functionality of UART.

**IE(0xA8)** : UART Bits in Interrupt Enable Register. For detail information, please refer to the section 6 'UART' for the Functionality of UART.

**IP(0xB8)** : UART Bits in Interrupt Priority Register. For detail information, please refer to the section 6 'UART' for the Functionality of UART.

**TA(0xC7)** : Timed Access Register. For detail information, please refer to the section 7 'Watchdog Timer' for Timed Access Registers of Watchdog Timer.

**T2CON(0xC8)** : Timer 2 Configuration Register. For detail information, please refer to the section 5.2 'Timer 2' for the Functionality of Timer 2.

**RLDH(0xCB), RLDL(0xCA)** : Capture Registers of Timer 2. For detail information, please refer to the section 5.2 'Timer 2' for the Functionality of Timer 2.

**TH2(0xCD), TL2(0xCC)** : Counter Register of Timer 2. For detail information, please refer to the section 5.2 'Timer 2' for the Functionality of Timer 2.

**PSW(0xD0)** : Program Status Word Register. For detail information, please refer to the section 1.3.1 'ALU'.

**WDCON(0xD8)** : Watchdog Control Register. For detail information, please refer to the section 7 'Watchdog Timer'.

### 3 Interrupt

The functions of interrupt pins are described in the table below. All pins are unidirectional. There are no tri-state signals.

Table 3.1 External Interrupt Pin Description

| Pin                  | Active      | Type | Pu/Pd | Description                            |
|----------------------|-------------|------|-------|----------------------------------------|
| nINT0/FA6            | Low/Falling | I    | -     | External interrupt 0                   |
| nINT1/FA7            | Low/Falling | I    | -     | External interrupt 1                   |
| nINT2/FA8            | Falling     | I    | -     | External interrupt 2                   |
| nINT3/FA9            | Falling     | I    | -     | External interrupt 3                   |
| nINT4                |             |      | -     | Reserved                               |
| TCPIPCore<br>(nINT5) | Falling     | I    | -     | Interrupt Request Signal for TCPIPCore |

The W7100A core is implemented with two levels of interrupt priority control. Each external interrupt can be in high or low level priority group by setting or clearing a bit in the IP(0xB8) and EIP(0xF8) registers. External interrupt pins are activated by a falling edge signal. Interrupt requests are sampled at the rising edge of the system's clock.

Table 3.2 W7100A Interrupt Summary

| Interrupt Flag | Function                | Active Level/Edge | Flag Reset | Vector | Interrupt Number | Natural Priority |
|----------------|-------------------------|-------------------|------------|--------|------------------|------------------|
| IE0            | Device pin INT0         | Low/Falling       | Hardware   | 0x03   | 0                | 1                |
| TF0            | Internal, Timer0        | -                 | Hardware   | 0x0B   | 1                | 2                |
| IE1            | Device pin INT1         | Low/Falling       | Hardware   | 0x13   | 2                | 3                |
| TF1            | Internal, Timer1        | -                 | Hardware   | 0x1B   | 3                | 4                |
| TI & RI        | Internal, UART          | -                 | Software   | 0x23   | 4                | 5                |
| TF2            | Internal, Timer2        | -                 | Software   | 0x2B   | 5                | 6                |
| INT2F          | Device Pin INT2         | Falling           | Software   | 0x43   | 8                | 7                |
| INT3F          | Device Pin INT3         | Falling           | Software   | 0x4B   | 9                | 8                |
| INT4F          | Reserved                |                   |            |        |                  |                  |
| INT5F          | Interrupt for TCPIPCore | Falling           | Software   | 0x5B   | 11               | 10               |
| WDIF           | Internal, WATCHDOG      | -                 | Software   | 0x63   | 12               | 11               |

Each interrupt vector can be individually enabled or disabled by changing the corresponding

bit in IE(0xA8) and EIE(0xE8) registers. The IE register contains global interrupt system disable(0)/enable(1) bit called EA.

| IE (0xA8) |   |     |    |     |     |     |     |       |
|-----------|---|-----|----|-----|-----|-----|-----|-------|
| 7         | 6 | 5   | 4  | 3   | 2   | 1   | 0   | Reset |
| EA        | - | ET2 | ES | ET1 | EX1 | ET0 | EX0 | 0x00  |

Figure 3.1 Interrupt Enable Register

**Note:** EA - Enable global interrupt

EX0 - Enable INT0 interrupt

ET0 - Enable Timer0 interrupt

EX1 - Enable INT1 interrupt

ET1 - Enable Timer1 interrupt

ES - Enable UART interrupt

ET2 - Enable Timer2 interrupt

All these bits which generate interrupts can be set or cleared by software, with the same result by hardware. That is, interrupts can be generated or cancelled by software. The only exceptions are the request flags IE0 and IE1. If the external interrupt 0 or 1 are programmed as level-activated, the IE0 and IE1 are controlled by the external source pins nINT0/FA6 and nINT1/FA7 respectively.

| IP (0xB8) |   |     |    |     |     |     |     |       |
|-----------|---|-----|----|-----|-----|-----|-----|-------|
| 7         | 6 | 5   | 4  | 3   | 2   | 1   | 0   | Reset |
| -         | - | PT2 | PS | PT1 | PX1 | PT0 | PX0 | 0x00  |

Figure 3.2 Interrupt Priority Register

**Note:** PX0 - INT0 priority level control (high level at 1)

PT0 - Timer0 priority level control (high level at 1)

PX1 - INT1 priority level control (high level at 1)

PT1 - Timer1 priority level control (high level at 1)

PS - UART priority level control (high level at 1)

PT2 - Timer2 priority level control (high level at 1)

Unimplemented bit - Read as 0 or 1

| TCON (0x88) |     |     |     |     |     |     |     |       |
|-------------|-----|-----|-----|-----|-----|-----|-----|-------|
| 7           | 6   | 5   | 4   | 3   | 2   | 1   | 0   | Reset |
| TF1         | TR1 | TF0 | TR0 | IE1 | IT1 | IE0 | IT0 | 0x00  |

Figure 3.3 Timer0, 1 Configuration Register

**Note:** IT0 - INT0 level (at 0)/edge (at 1) sensitivity

IT1 - INT1 level (at 0)/edge (at 1) sensitivity

IE0 - INT0 interrupt flag is automatically cleared when processor branches to

interrupt routine

IE1 - INT1 interrupt flag is automatically cleared when processor branches to interrupt routine

TF0 - Timer0 interrupt (overflow) flag. Automatically cleared when processor branches to interrupt routine

TF1 - Timer 1 interrupt (overflow) flag. Automatically cleared when processor branches to interrupt routine

SCON (0x98)

| 7   | 6   | 5   | 4   | 3   | 2   | 1  | 0  | Reset |
|-----|-----|-----|-----|-----|-----|----|----|-------|
| SM0 | SM1 | SM2 | REN | TB8 | RB8 | TI | RI | 0x00  |

Figure 3.4 UART Configuration Register

**Note:** RI - UART receiver interrupt flag

TI - UART transmitter interrupt flag

EIE (0xE8)

| 7 | 6 | 5 | 4    | 3     | 2     | 1     | 0     | Reset |
|---|---|---|------|-------|-------|-------|-------|-------|
| - | - | - | EWDI | EINT5 | EINT4 | EINT3 | EINT2 | 0x00  |

Figure 3.5 Extended Interrupt Enable Register

**Note:** EINT2 - Enable external INT2 Interrupt

EINT3 - Enable external INT3 Interrupt

EINT4 - Must be '0', if use the EIE register

EINT5 - Enable TCPIPCore Interrupt

EWDI - Enable WATCHDOG Interrupt

EIP (0xF8)

| 7 | 6 | 5 | 4    | 3     | 2     | 1     | 0     | Reset |
|---|---|---|------|-------|-------|-------|-------|-------|
| - | - | - | PWDI | PINT5 | PINT4 | PINT3 | PINT2 | 0x00  |

Figure 3.6 Extended Interrupt Priority Register

**Note:** PINT2 - INT2 priority level control (high level at 1)

PINT3 - INT3 priority level control (high level at 1)

PINT4 - Must be set to '0', if use the EIP register

PINT5 - TCPIPCore Interrupt priority level control (high level at 1)

PWDI - WATCHDOG priority level control (high level at 1)

EIF (0x91)

| 7 | 6 | 5 | 4 | 3     | 2     | 1     | 0     | Reset |
|---|---|---|---|-------|-------|-------|-------|-------|
| - | - | - | - | INT5F | INT4F | INT3F | INT2F | 0x00  |

Figure 3.7 Extended Interrupt Flag Register

- Note:** INT2F - INT2 interrupt flag. Must be cleared by software  
 INT3F - INT3 interrupt flag. Must be cleared by software  
 INT4F - Must be set to '0'. if use the EIF register  
 INT5F - TCIPCore Interrupt flag. Must be cleared by software

WDCON (0xD8)

| 7 | 6 | 5 | 4 | 3    | 2    | 1   | 0   | Reset |
|---|---|---|---|------|------|-----|-----|-------|
| - | - | - | - | WDIF | WTRF | EWT | RWT | 0x00  |

Figure 3.8 Watchdog Control Register

- Note:** WDIF - Watchdog Interrupt Flag. WDIF in conjunction with the Enable Watchdog Interrupt bit (EIE.4) and EWT provides information such as whether the Watchdog Timer event has been encountered or not and what action should be taken. This bit must be cleared by software before exiting the interrupt service routine. By using software to enable the WDIF, a Watchdog interrupt is generated. Enabled software-set WDIF will generate a Watchdog interrupt. Timed Access Register procedure can be used to modify this bit.

## 4 I/O Ports

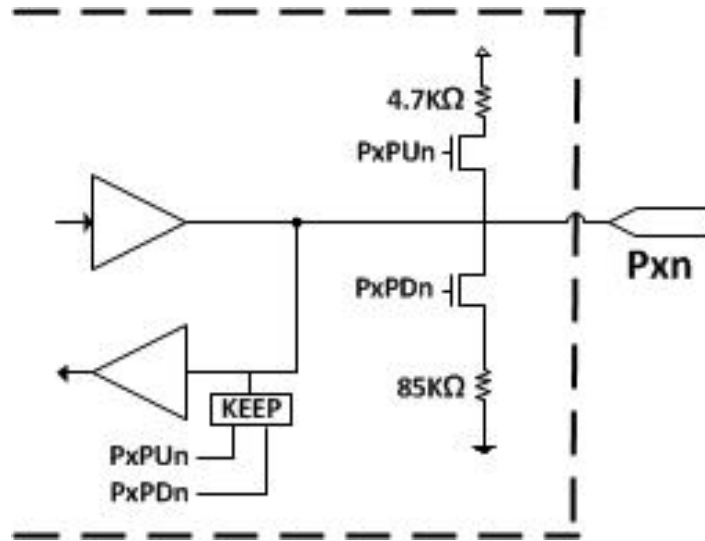


Figure 4.1 Port0 Pull-down register

The GPIO of W7100A has three operating modes 'Pull-up', 'Pull-down' and 'Keep' according to the SFR value.

The 'Keep' mode can be made by setting up both pull-up and pull-down register simultaneously. The GPIO keeps its previous value in the 'Keep' operating mode.

The I/O port pin functionalities are described in the following table.

Table 4.1 I/O Ports Pin Description

| Pin     | Active | Type | Pu/Pd | Description          |
|---------|--------|------|-------|----------------------|
| P0[7:0] | -      | IO   | -     | Port0 input / output |
| P1[7:0] | -      | IO   | -     | Port1 input / output |
| P2[7:0] | -      | IO   | -     | Port2 input / output |
| P3[7:0] | -      | IO   | -     | Port3 input / output |

P0 (0x80)

| 7    | 6    | 5    | 4    | 3    | 2    | 1    | 0    | Reset |
|------|------|------|------|------|------|------|------|-------|
| P0.7 | P0.6 | P0.5 | P0.4 | P0.3 | P0.2 | P0.1 | P0.0 | 0xFF  |

Figure 4.2 Port0 Register

P1 (0x90)

| 7    | 6    | 5    | 4    | 3    | 2    | 1    | 0    | Reset |
|------|------|------|------|------|------|------|------|-------|
| P1.7 | P1.6 | P1.5 | P1.4 | P1.3 | P1.2 | P1.1 | P1.0 | 0xFF  |

Figure 4.3 Port1 Register



| P2 (0xA0) |      |      |      |      |      |      |      |       |
|-----------|------|------|------|------|------|------|------|-------|
| 7         | 6    | 5    | 4    | 3    | 2    | 1    | 0    | Reset |
| P2.7      | P2.6 | P2.5 | P2.4 | P2.3 | P2.2 | P2.1 | P2.0 | 0xFF  |

Figure 4.4 Port2 Register

| P3 (0xB0) |      |      |      |      |      |      |      |       |
|-----------|------|------|------|------|------|------|------|-------|
| 7         | 6    | 5    | 4    | 3    | 2    | 1    | 0    | Reset |
| P3.7      | P3.6 | P3.5 | P3.4 | P3.3 | P3.2 | P3.1 | P3.0 | 0xFF  |

Figure 4.5 Port3 Register

Read and write accesses are performed in the I/O ports via their corresponding SFR: P0 (0x80), P1 (0x90), P2 (0xA0), and P3 (0xB0). Some port-reading instructions read from the data registers while others read from the port pin. The “Read-Modify-Write” instructions are directed to the data registers as shown below.

Table 4.2 Read-Modify-Write Instructions

| Instruction | Function Description              |
|-------------|-----------------------------------|
| ANL         | Logic AND                         |
| ORL         | Logic OR                          |
| XRL         | Logic exclusive OR                |
| JBC         | Jump if bit is set and cleared    |
| CPL         | Complement bit                    |
| INC, DEC    | Increment, decrement byte         |
| DJNZ        | Decrement and jump if not zero    |
| MOV Px.y, C | Move carry bit to bit y of port x |
| CLR Px.y    | Clear bit y of port x             |
| SETB Px.y   | Set bit y of port x               |

All other instructions read from a port exclusively through the port pins. All ports pin can be used as GPIO (General Purpose Input Output). The GPIO of W7100A is shown in the Figure below. The output driving voltage of GPIO is 0V or 3.3V according to the Px\_PD/PU SFR value or GPIO keeps its previous value in current operation mode.

|       |       |        |
|-------|-------|--------|
| Px_PU | Px_PD | Status |
|-------|-------|--------|

|   |   |           |
|---|---|-----------|
| 0 | 0 | -         |
| 0 | 1 | Pull-down |
| 1 | 0 | Pull-up   |
| 1 | 1 | Keep      |

**P0\_PD(0xE3):** GPIO0 Pull-down register, the value '1' pull-down the related pin.

P0\_PD (0xE3)

| 7        | 6        | 5        | 4        | 3        | 2        | 1        | 0        | Reset |
|----------|----------|----------|----------|----------|----------|----------|----------|-------|
| Port0[7] | Port0[6] | Port0[5] | Port0[4] | Port0[3] | Port0[2] | Port0[1] | Port0[0] | 0x00  |

Figure 4.6 Port0 Pull-down register

**P1\_PD(0xE4):** GPIO1 Pull-down register, the value '1' pull-down the related pin.

P1\_PD (0xE4)

| 7        | 6        | 5        | 4        | 3        | 2        | 1        | 0        | Reset |
|----------|----------|----------|----------|----------|----------|----------|----------|-------|
| Port1[7] | Port1[6] | Port1[5] | Port1[4] | Port1[3] | Port1[2] | Port1[1] | Port1[0] | 0x00  |

Figure 4.7 Port1 Pull-down register

**P2\_PD(0xE5):** GPIO2 Pull-down register, the value '1' pull-down the related pin.

P2\_PD (0xE5)

| 7        | 6        | 5        | 4        | 3        | 2        | 1        | 0        | Reset |
|----------|----------|----------|----------|----------|----------|----------|----------|-------|
| Port2[7] | Port2[6] | Port2[5] | Port2[4] | Port2[3] | Port2[2] | Port2[1] | Port2[0] | 0x00  |

Figure 4.8 Port2 Pull-down register

**P3\_PD(0xE6):** GPIO3 Pull-down register, the value '1' pull-down the related pin.

P3\_PD (0xE6)

| 7        | 6        | 5        | 4        | 3        | 2        | 1        | 0        | Reset |
|----------|----------|----------|----------|----------|----------|----------|----------|-------|
| Port3[7] | Port3[6] | Port3[5] | Port3[4] | Port3[3] | Port3[2] | Port3[1] | Port3[0] | 0x00  |

Figure 4.9 Port3 Pull-down register

**P0\_PU(0xEB):** GPIO0 Pull-up register, the value '1' means pull-up the related pin.

P0\_PU (0xEB)

| 7        | 6        | 5        | 4        | 3        | 2        | 1        | 0        | Reset |
|----------|----------|----------|----------|----------|----------|----------|----------|-------|
| Port0[7] | Port0[6] | Port0[5] | Port0[4] | Port0[3] | Port0[2] | Port0[1] | Port0[0] | 0x00  |

Figure 4.10 Port0 Pull-up register

**P1\_PU(0xEC):** GPIO1 Pull-up register, the value '1' means pull-up the related pin.

| P1_PU (0xEC) |          |          |          |          |          |          |          |       |
|--------------|----------|----------|----------|----------|----------|----------|----------|-------|
| 7            | 6        | 5        | 4        | 3        | 2        | 1        | 0        | Reset |
| Port1[7]     | Port1[6] | Port1[5] | Port1[4] | Port1[3] | Port1[2] | Port1[1] | Port1[0] | 0x00  |

Figure 4.11 Port1 Pull-up register

**P2\_PU(0xED):** GPIO2 Pull-up register, the value '1' means pull-up the related pin.

| P2_PU (0xED) |          |          |          |          |          |          |          |       |
|--------------|----------|----------|----------|----------|----------|----------|----------|-------|
| 7            | 6        | 5        | 4        | 3        | 2        | 1        | 0        | Reset |
| Port2[7]     | Port2[6] | Port2[5] | Port2[4] | Port2[3] | Port2[2] | Port2[1] | Port2[0] | 0x00  |

Figure 4.12 Port2 Pull-up register

**P3\_PU(0xEE):** GPIO3 Pull-up register, the value '1' means pull-up the related pin.

| P3_PU (0xEE) |          |          |          |          |          |          |          |       |
|--------------|----------|----------|----------|----------|----------|----------|----------|-------|
| 7            | 6        | 5        | 4        | 3        | 2        | 1        | 0        | Reset |
| Port3[7]     | Port3[6] | Port3[5] | Port3[4] | Port3[3] | Port3[2] | Port3[1] | Port3[0] | 0x00  |

Figure 4.13 Port3 Pull-up register

## 5 Timers

The W7100A contains two 16-bit timers/counters, Timer0 and Timer 1. In the ‘timer mode’, the timer registers are incremented by every 12 CLK periods. In “counter mode”, the timer registers are incremented during the falling transition on their corresponding input pins: T0 or T1. The input pins are sampled at every CLK period.

### 5.1 Timers 0, 1

#### 5.1.1 Overview

The Timer0, 1 pin functionalities are described in the following table. All pins are unidirectional. There are no tri-state output pins and internal signals.

Table 5.1 Timers 0, 1 Pin Description

| Pin       | Active  | Type | Pu/Pd | Description               |
|-----------|---------|------|-------|---------------------------|
| T0/FCS    | Falling | I    | -     | Timer0 clock              |
| GATE0/FOE | High    | I    | -     | Timer0 clock gate control |
| T1/FAE    | Falling | I    | -     | Timer1 clock              |
| GATE1/FA0 | High    | I    | -     | Timer1 clock gate control |

Timer0 and Timer 1 are fully compatible with the standard 8051 timers. Each timer consists of two 8-bit registers, TH0 (0x8C) and TL0 (0x8A), TH1 (0x8D) and TL1 (0x8B). The timers work in four modes which are described below.

Table 5.2 Timers 0, 1 Mode

| M1 | M0 | Mode | Function Description                                                                                                                                                 |
|----|----|------|----------------------------------------------------------------------------------------------------------------------------------------------------------------------|
| 0  | 0  | 0    | THx operates as a 8-bit timer/counter with a divided-by-32 prescaler served by lower 5-bit of TLx                                                                    |
| 0  | 1  | 1    | 16-bit timer/counter. THx and TLx are cascaded.                                                                                                                      |
| 1  | 0  | 2    | TLx operates as a 8-bit timer/counter with 8bit auto-reload by THx.                                                                                                  |
| 1  | 1  | 3    | TL0 is configured as a 8-bit timer/counter controlled by the standard Timer0 bits. TH0 is a 8-bit timer controlled by Timer 1 control bits. Timer 1 holds its count. |

| TMOD (0x89) |    |    |    |        |    |    |    |       |  |
|-------------|----|----|----|--------|----|----|----|-------|--|
| Timer1      |    |    |    | Timer0 |    |    |    |       |  |
| 7           | 6  | 5  | 4  | 3      | 2  | 1  | 0  | Reset |  |
| GATE        | CT | M1 | M0 | GATE   | CT | M1 | M0 | 0x00  |  |

Figure 5.1 Timer0, 1 Control Mode Register

**Note:** GATE - Gating control

1: Timer x is enabled while GATE<sub>x</sub> pin is at high and TR<sub>x</sub> control bit is set

0: Timer x is enabled while TR<sub>x</sub> control bit is set

CT - Counter or timer select bit

1: Counter mode, Timer x clock source from Tx pin

0: Timer mode, internally clocked

M1, M0 - Mode select bits

| TCON (0x88) |     |     |     |     |     |     |     |       |  |
|-------------|-----|-----|-----|-----|-----|-----|-----|-------|--|
| 7           | 6   | 5   | 4   | 3   | 2   | 1   | 0   | Reset |  |
| TF1         | TR1 | TF0 | TR0 | IE1 | IT1 | IE0 | IT0 | 0x00  |  |

Figure 5.2 Timer0, 1 Configuration Register

**Note:** TR0 - Timer0 run control bit

1: Enabled

0: Disabled

TR1 - Timer 1 run control bit

1: Enabled

0: Disabled

External input pins, GATE0 and GATE1, can be programmed to function as a gate to facilitate pulse width measurements.

## 5.1.2 Interrupts

Timer0, 1 interrupt related bits are shown below. An interrupt can be toggled by the IE register, and priorities can be configured in the IP register.

| IE (0xA8) |   |     |    |     |     |     |     |       |  |
|-----------|---|-----|----|-----|-----|-----|-----|-------|--|
| 7         | 6 | 5   | 4  | 3   | 2   | 1   | 0   | Reset |  |
| EA        | - | ET2 | ES | ET1 | EX1 | ET0 | EX0 | 0x00  |  |

Figure 5.3 Interrupt Enable Register

**Note:** EA - Enable global interrupts

ET0 - Enable Timer0 interrupts

ET1- Enable Timer1 interrupts

| IP (0xB8) |   |     |    |     |     |     |     |       |
|-----------|---|-----|----|-----|-----|-----|-----|-------|
| 7         | 6 | 5   | 4  | 3   | 2   | 1   | 0   | Reset |
| -         | - | PT2 | PS | PT1 | PX1 | PT0 | PX0 | 0x00  |

Figure 5.4 Interrupt Priority Register

- Note:** PT0 - Enable global interrupts  
 PT1 - Enable Timer0 interrupts  
 Unimplemented bit - Read as 0 or 1

| TCON (0x88) |     |     |     |     |     |     |     |       |
|-------------|-----|-----|-----|-----|-----|-----|-----|-------|
| 7           | 6   | 5   | 4   | 3   | 2   | 1   | 0   | Reset |
| TF1         | TR1 | TF0 | TR0 | IE1 | IT1 | IE0 | IT0 | 0x00  |

Figure 5.5 Timer0, 1 Configuration Register

- Note:** TF0 - Timer0 interrupt (overflow) flag. Automatically cleared when processor branches to interrupt routine  
 TF1 - Timer1 interrupt (overflow) flag. Automatically cleared when processor branches to interrupt routine

All of the bits which generate interrupts can be set or cleared by software, with the same result by hardware. That is, interrupts can be generated or cancelled by software.

Table 5.3 Timer0, 1 interrupts

| Interrupt Flag | Function         | Active Level/Edge | Flag Resets | Vector | Natural Priority |
|----------------|------------------|-------------------|-------------|--------|------------------|
| TF0            | Internal, Timer0 | -                 | Hardware    | 0x0B   | 2                |
| TF1            | Internal, Timer1 | -                 | Hardware    | 0x1B   | 4                |

### 5.1.3 Timer0 - Mode0

The Timer0 register is configured as a 13-bit register (8bit: Timer, 5bit: prescaler). As the all counts (valid bits) roll over from 1 to 0, Timer0 interrupt flag TF0 is set. The timer starts counting when TCON.4 =1 and either TMOD.3 = 0 or GATE0 = 1. By setting TMOD.3 = 1, the external input GATE0 can control Timer0 to manage the pulse width measurements. The 13-bit register consists of 8 bits TH0 and 5 bits of TL0. The upper 3 bits of TL0 should be ignored. Refer to the following Figure for details.

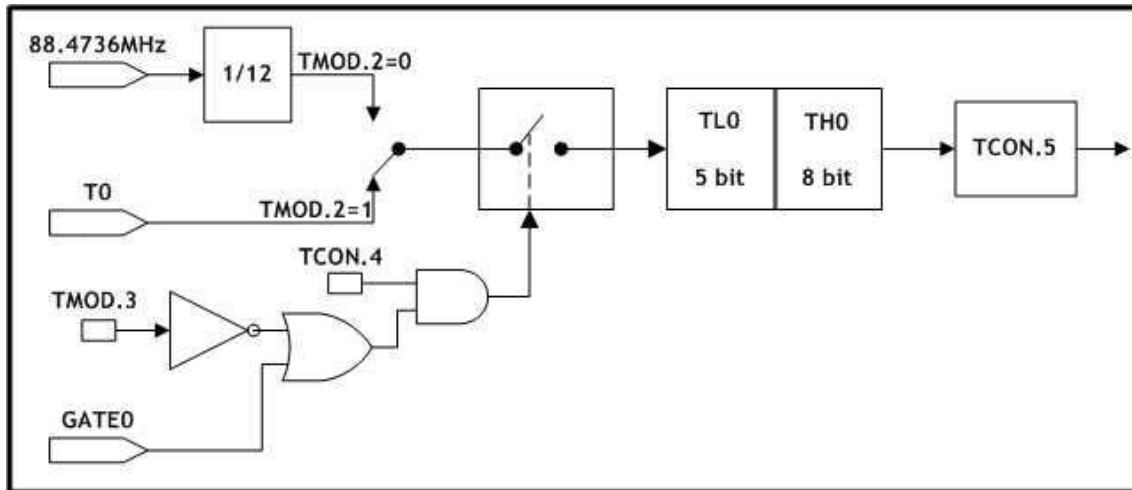


Figure 5.6 Timer Counter0, Mode0: 13-Bit Timer/Counter

### 5.1.4 Timer0 - Mode1

Mode1 is the same as Mode0, except that the timer register is running with all 16 bits. Mode1 is shown in the Figure below.

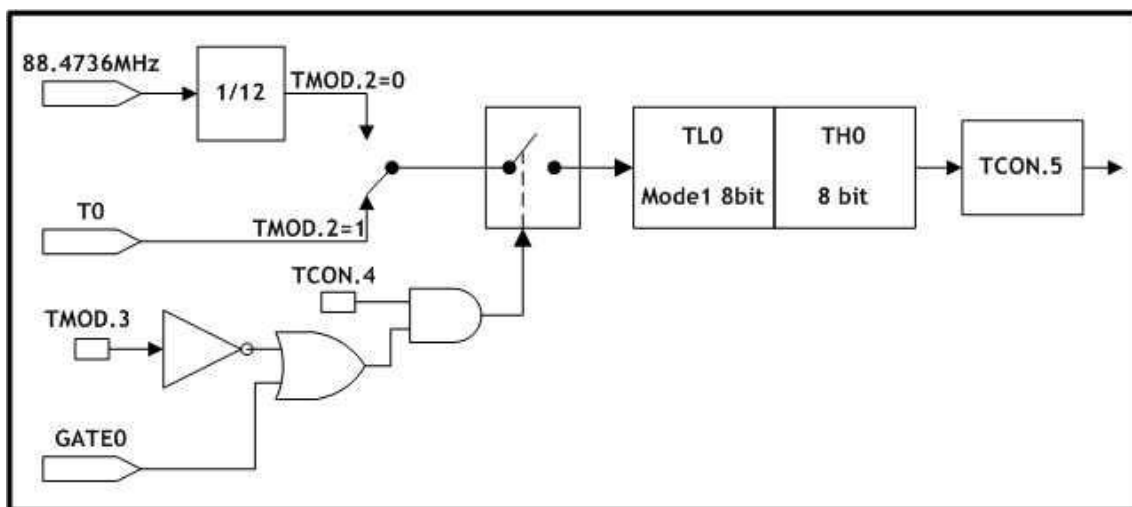


Figure 5.7 Timer/Counter0, Mode1: 16-Bit Timer/Counter

### 5.1.5 Timer0 - Mode2

Mode2 configures the timer register as a 8-bit counter TL0 with automatic reload as shown in the Figure below. During an overflow from TL0, it sets TF0 and reloads the contents of TH0 into TL0. TH0 remains unchanged after the reload is completed.

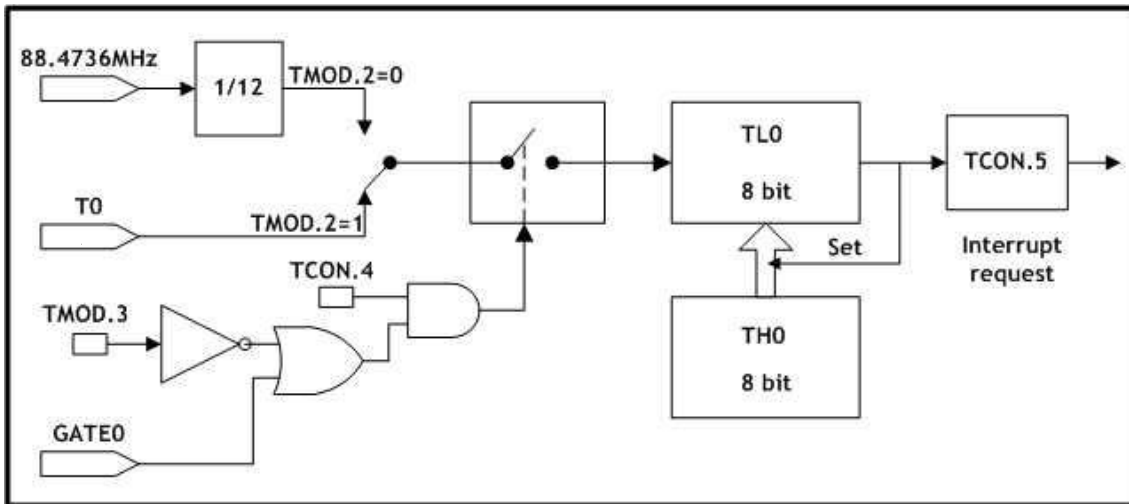


Figure 5.8 Timer/Counter0, Mode2: 8-Bit Timer/Counter with Auto-Reload

### 5.1.6 Timer0 - Mode3

In this mode, the TL0 and TH0 are divided into two separate counters. The following Figure shows the logic for Timer0 running in Mode3. The TL0 uses the Timer0 control bits: C/T, GATE, TR0, GATE0 and TF0. And the TH0 is locked into a timer function and uses TR1 and TF1 flags from Timer 1 and controls Timer 1 interrupt. Mode3 is used in applications which require an extra 8-bit timer/counter. When Timer0 is in Mode3, Timer 1 can be turned on/off by switching itself into Mode3, or can still be used by the serial channel as a baud rate generator, or in any application where interrupt from Timer 1 is not required.

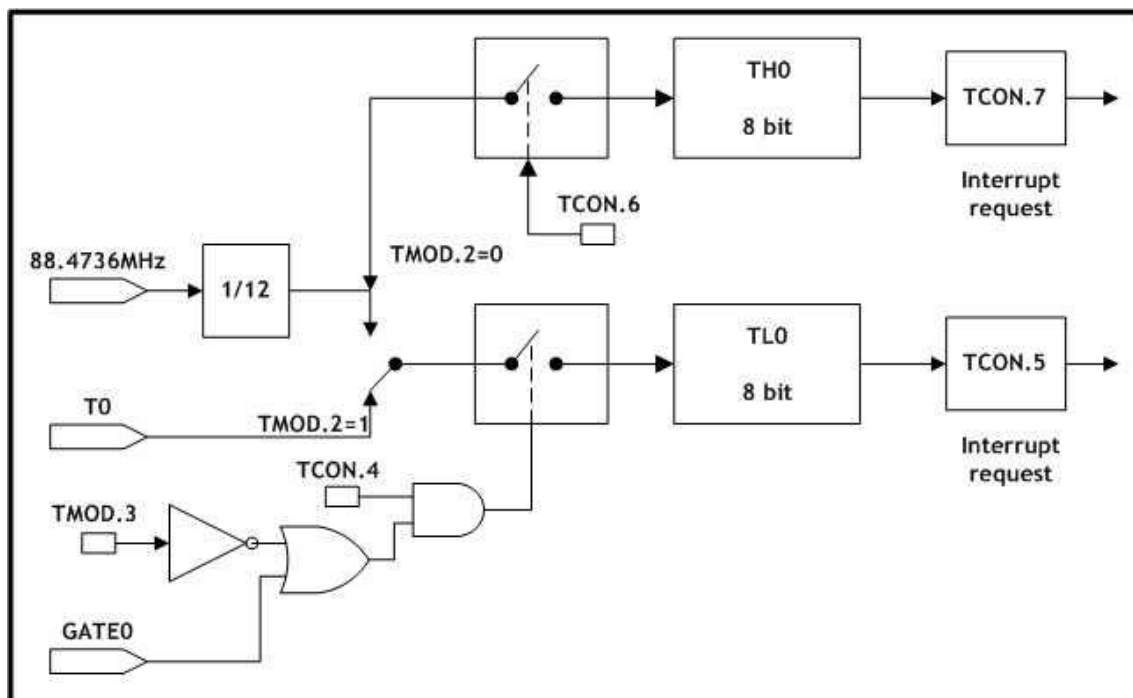


Figure 5.9 Timer/Counter0, Mode3: Two 8-Bit Timers/Counters



### 5.1.7 Timer1 - Mode0

In this mode, the Timer1 register is configured as a 13-bit register (8bit: Timer, 5bit: prescaler). As the all counts (valid bits) roll over from 1 to 0, Timer 1 interrupt flag TF1 is set. The counted input is enabled to Timer 1 when TCON.6 = 1 and either TMOD.6 = 0 or GATE1 = 1. (Setting TMOD.7 = 1 allows Timer 1 controlled by external input GATE1, to facilitate pulse width measurements). The 13-bit register consists of 8 bits TH1 and the lower 5 bits of TL1. The upper 3 bits of TL1 are indeterminate and should be ignored. Refer to the following Figure for detail.

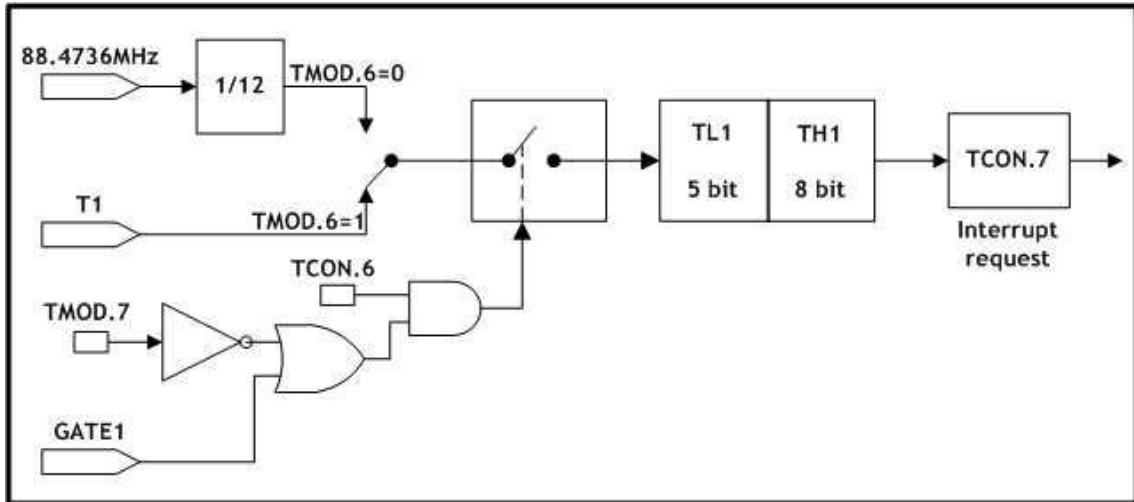


Figure 5.10 Timer/Counter1, Mode0: 13-Bit Timer/Counter

### 5.1.8 Timer1 - Mode1

Mode1 is the same as Mode0, except that the timer register is running with all 16 bits. Mode1 is shown in the Figure below.

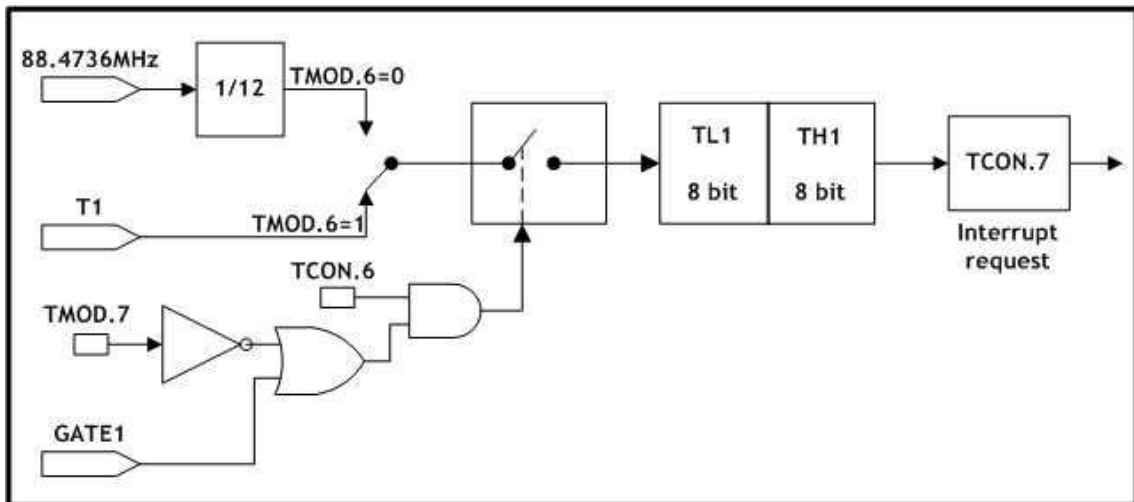


Figure 5.11 Timer/Counter1, Mode1: 16-Bit Timers/Counters

### 5.1.9 Timer1 - Mode2

Mode2 configures timer register as 8-bit counter TL1, with automatic reload as shown in Figure below. Overflow from TL1 only sets TF1, but also automatically reloads TL1 with the contents of TH1. The reload leaves TH1 unchanged.

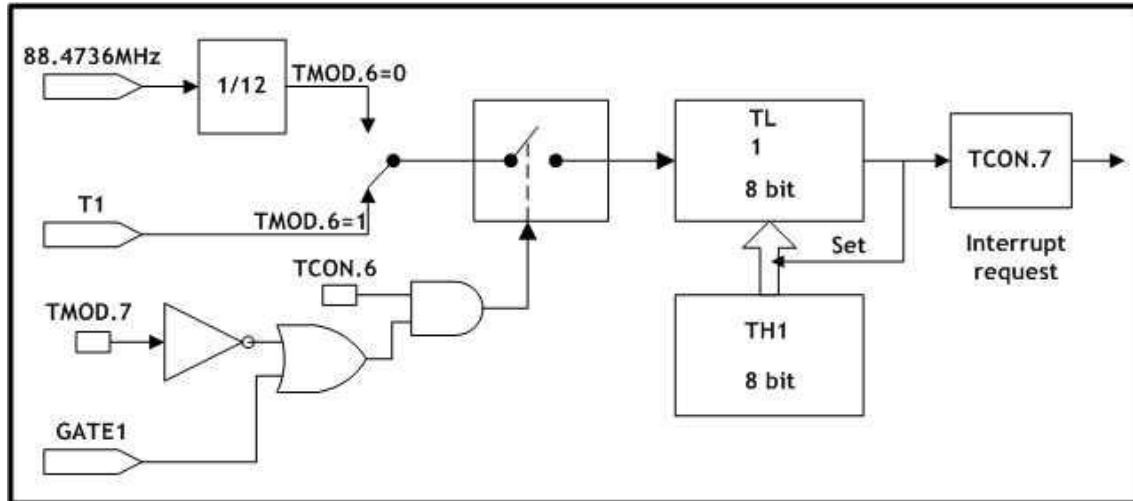


Figure 5.12 Timer/Counter1, Mode2: 8-Bit Timer/Counter with Auto-Reload

### 5.1.10 Timer1 - Mode3

Timer1 in Mode3 holds counting. The effect is the same as setting TR1 = 0 because it is used for Timer0-Mode3. For more detail, please refer to the section 5.1.6 'Timer0-Mode3'.

## 5.2 Timer2

### 5.2.1 Overview

The Timer2 pin functionalities are described in the following table. All pins are unidirectional. There are no tri-state output pins and internal signals.

Table 5.4 Timer2 Pin Description

| Pin      | Active  | Type | Pu/Pd | Description                   |
|----------|---------|------|-------|-------------------------------|
| T2/FA1   | Falling | I    | -     | Timer2 external clock input   |
| T2EX/FA2 | Falling | I    | -     | Timer2 capture/reload trigger |

Timer2 of W7100A is fully compatible with the standard 8051 Timer2. A total of five SFR are used to control Timer2 operation, TH2/TL2 (0xCD/0xCC) counter registers, RLDH/RLDL (0xCB/0xCA) capture registers, and T2CON (0xC8) control register. Timer2 works under three modes selected by T2CON bits as shown in the table below.

Table 5.5 Timer2 Modes

| RCLK,TCLK | CPRL2 | TR2 | Function Description                                                                                                                                                    |
|-----------|-------|-----|-------------------------------------------------------------------------------------------------------------------------------------------------------------------------|
| 0         | 0     | 1   | 16-bit auto-reload mode. TF2 bit is set when Timer2 overflows. TH2 and TL2 registers are reloaded with 16-bit value from RLDH and RLDL.                                 |
| 0         | 1     | 1   | 16-bit capture mode. TF2 bit is set when Timer2 overflows. When EXEN2=1 and T2EX pin is on the falling edge, TH2 and TL2 register values are stored into RLDH and RLDL. |
| 1         | X     | 1   | Baud rate generator for UART interface                                                                                                                                  |
| X         | X     | 0   | Timer2 is off.                                                                                                                                                          |

T2CON (0xC8)

| 7   | 6    | 5    | 4    | 3     | 2   | 1   | 0     | Reset |
|-----|------|------|------|-------|-----|-----|-------|-------|
| TF2 | EXF2 | RCLK | TCLK | EXEN2 | TR2 | CT2 | CPRL2 | 0x00  |

Figure 5.13 Timer2 Configuration Register

**Note:** EXF2 - indicates a Falling edge in the T2EX pin when EXEN2=1. Must be cleared by software

RCLK - Receive clock enable

0: UART receiver is clocked by Timer1 overflow pulses

1: UART receiver is clocked by Timer2 overflow pulses

TCLK - Transmit clock enable

0: UART transmitter is clocked by Timer1 overflow pulses

- 1: UART transmitter is clocked by Timer2 overflow pulses
- EXEN2 - Enable T2EX pin functionality
  - 0: Ignore T2EX events
  - 1: Allow capture or reload as a result of T2EX pin falling edge
- TR2 - Start/Stop Timer2
  - 0: Stop
  - 1: Start
- CT2 - Timer/Counter select
  - 0: Internally clocked timer
  - 1: External event counter. Clock source is T2 pin
- CPRL2 - Capture/Reload select
  - 0: Automatic reload occurs when Timer2 overflow or falling edge of the T2EX pin with EXEN2=1. When RCLK or TCLK is set, this bit is ignored and automatic reload when Timer2 overflows.
  - 1: On the falling edge of T2EX pin, capture is activated when EXEN2=1.

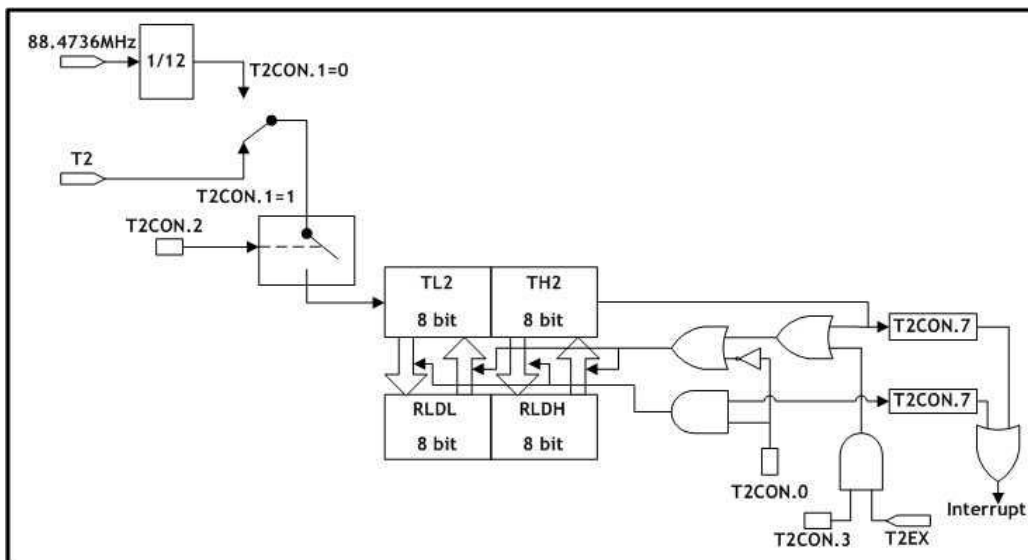


Figure 5.14 Timer/Counter2, 16-Bit Timer/Counter with Auto-Reload

## 5.2.2 Interrupts

The interrupt bits for Timer2 are shown below. An interrupt can be toggled by the IE register, and priorities can be configured by the IP register.

| IE (0xA8) |   |     |    |     |     |     |     |       |
|-----------|---|-----|----|-----|-----|-----|-----|-------|
| 7         | 6 | 5   | 4  | 3   | 2   | 1   | 0   | Reset |
| EA        | - | ET2 | ES | ET1 | EX1 | ET0 | EX0 | 0x00  |

Figure 5.15 Interrupt Enable Register – Timer2

**Note:** EA - Enable global interrupts  
 ET2 - Enable Timer2 interrupts

| IP (0xB8) |   |     |    |     |     |     |     |       |
|-----------|---|-----|----|-----|-----|-----|-----|-------|
| 7         | 6 | 5   | 4  | 3   | 2   | 1   | 0   | Reset |
| -         | - | PT2 | PS | PT1 | PX1 | PT0 | PX0 | 0x00  |

Figure 5.16 Interrupt Priority Register – Timer2

**Note:** PT2 - Timer2 interrupt priority level control (high level at 1)  
 Unimplemented bit - Read as 0 or 1

| T2CON (0xC8) |      |      |      |       |     |     |       |       |
|--------------|------|------|------|-------|-----|-----|-------|-------|
| 7            | 6    | 5    | 4    | 3     | 2   | 1   | 0     | Reset |
| TF2          | EXF2 | RCLK | TCLK | EXEN2 | TR2 | CT2 | CPRL2 | 0x00  |

Figure 5.17 Timer2 Configuration Register – TF2

**Note:** TF2 - Timer2 interrupt (overflow) flag. It must be cleared by software. This flag will not be set when either RCLK or TCLK is set.

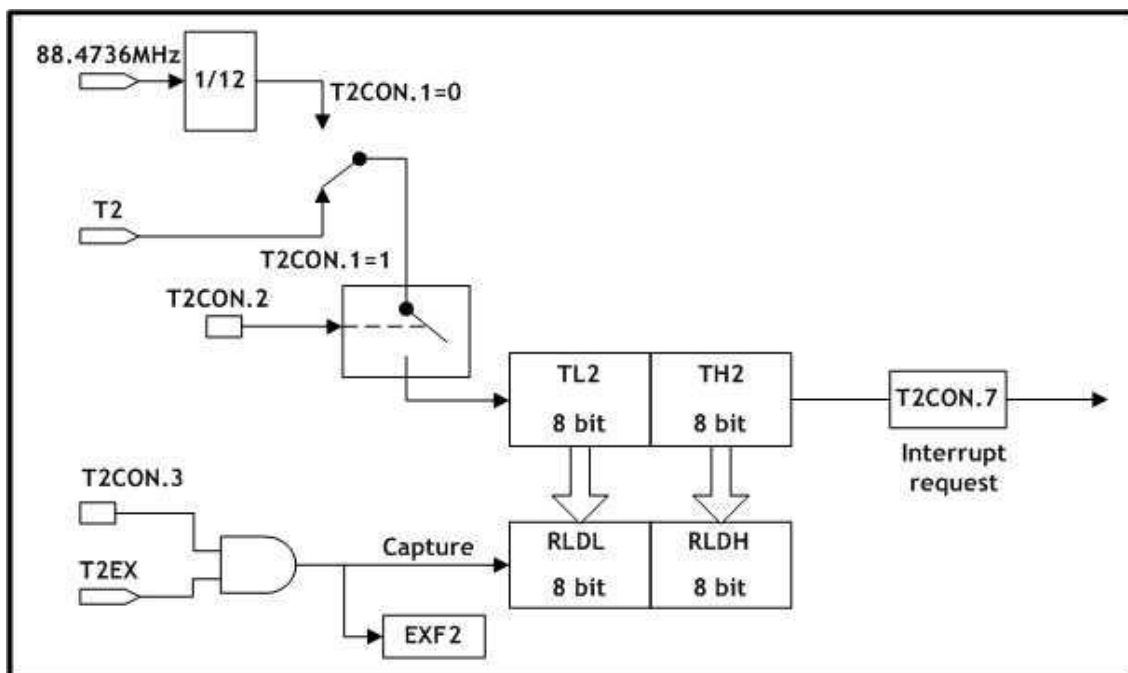


Figure 5.18 Timer/Counter2, 16-Bit Timer/Counter with Capture Mode

All of the bits that generate interrupts can be set or cleared by software, with the same result by hardware. That is, interrupts can be generated or cancelled by software.

Table 5.6 Timer2 Interrupt

| Interrupt Flag | Function         | Active Level/Edge | Flag Resets | Vector | Natural Priority |
|----------------|------------------|-------------------|-------------|--------|------------------|
| TF2            | Internal, Timer2 | -                 | Software    | 0x2B   | 6                |

Interrupt is generated at the falling edge of T2EX pin with EXEN2 bit enabled.

Using the 0x2B vector, EXF2 is set by this interrupt, but the TF2 flag remains unchanged.

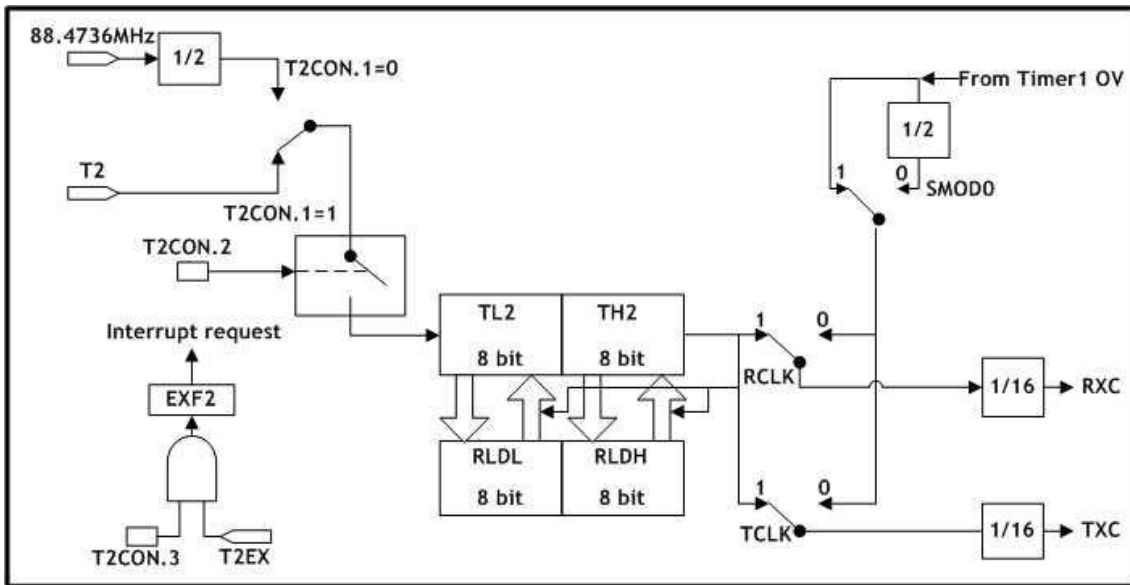


Figure 5.19 Timer2 for Baud Rate Generator Mode

## 6 UART

The UART of W7100A operates in full duplex mode which is capable of receiving and transmitting at the same time. Since the W7100A is double-buffered, the receiver is capable of receiving data while the first byte of the buffer is not read. During a read operation, the SBUF reads from the receive register. On the other hand, SBUF loads the data into the transmit register during a send operation. The UART has 4 different modes which include one in synchronous mode and three in asynchronous modes. Modes 2 and 3 include a special feature for multiprocessor communication. This feature is enabled by setting the SM2 bit in the SCON register. The master processor sends out the first address byte which identifies the target slave. An address byte differs from a data byte in that the 9<sup>th</sup> bit is 1 in an address byte and 0 in a data byte. With SM2 = 1, no slave will be interrupted by a data byte, while an address byte will interrupt all slaves. The addressed slave will clear its SM2 bit and prepare to receive the data bytes that will be coming. The slaves that were not being addressed leave their SM2 set and ignore the incoming data.

The pin functionalities of UART are described in the following table.

Table 6.1 UART Pin Description

| Pin | Active | Type | Pu/Pd | Description                    |
|-----|--------|------|-------|--------------------------------|
| RXD | -      | I    | Pu    | Serial receiver input / output |
| TXD | -      | O    | -     | Serial transmitter             |

The UART of W7100A is fully compatible with the standard 8051 UART. The UART related registers are: SBUF (0x99), SCON (0x98), PCON (0x87), IE (0xA8) and IP (0xB8). The UART data buffer (SBUF) consists of two registers: transmit and receive. When data is written into the SBUF transmit register, the sending process begins. Similarly, data is read from the receive register during the receiving process.

SBUF (0x99)

| 7   | 6   | 5   | 4   | 3   | 2   | 1   | 0   | Reset |
|-----|-----|-----|-----|-----|-----|-----|-----|-------|
| SB7 | SB6 | SB5 | SB4 | SB3 | SB2 | SB1 | SB0 | 0x00  |

Figure 6.1 UART Buffer Register

SCON (0x98)

| 7   | 6   | 5   | 4   | 3   | 2   | 1  | 0  | Reset |
|-----|-----|-----|-----|-----|-----|----|----|-------|
| SM0 | SM1 | SM2 | REN | TB8 | RB8 | TI | RI | 0x00  |

Figure 6.2 UART Configuration Register

- Note:**
- SM2 - Enable a multiprocessor communication feature
  - SM1 - Set baud rate
  - SM0 - Set baud rate

REN - '1' : enable serial receive

'0': disable serial receive

TB8 - The 9<sup>th</sup> transmitted data bit in Modes 2 and 3. This bit is enabled depending on the MCU's operation (parity check, multiprocessor communication, etc.),

RB8 - In Modes 2 and 3, it is the 9<sup>th</sup> bit of data received. In Mode1, if SM2 is 0, RB08 is a stop bit. In Mode0, this bit is not used.

The UART modes are presented in the table below.

Table 6.2 UART Modes

| SM0 | SM1 | Mode | Description    | Baud Rate             |
|-----|-----|------|----------------|-----------------------|
| 0   | 0   | 0    | Shift register | $f_{osc}/12$          |
| 0   | 1   | 1    | 8-bit UART     | Variable              |
| 1   | 0   | 2    | 9-bit UART     | $f_{osc}/32$ or $/64$ |
| 1   | 1   | 3    | 9-bit UART     | Variable              |

The UART baud rates are presented below.

Table 6.3 UART Baud Rates

| Mode    | Baud Rate                                        |
|---------|--------------------------------------------------|
| Mode0   | $f_{osc}/12$                                     |
| Mode1,3 | Time1 overflow rate or Timer2 overflow rate      |
| Mode2   | SMOD0 = 0 $f_{osc}/64$<br>SMOD0 = 1 $f_{osc}/32$ |

The SMOD0 bit is located in the PCON register.

PCON (0x87)

| 7     | 6     | 5 | 4   | 3 | 2 | 1 | 0 | Reset |
|-------|-------|---|-----|---|---|---|---|-------|
| SMOD0 | SMOD1 | - | PWE | - | 0 | 0 | 0 | 0x00  |

Figure 6.3 UART Bits in Power Configuration Register

**Note:** SMOD0 - Bit for UART baud rate

Unimplemented bit - Read as 0 or 1

Bits 2-0 must be written as 0

## 6.1 Interrupts

UART interrupt related bits are shown below. An interrupt can be toggled by the IE register, and priorities can be configured by the IP register.



| IE (0xA8) |   |     |    |     |     |     |     |       |
|-----------|---|-----|----|-----|-----|-----|-----|-------|
| 7         | 6 | 5   | 4  | 3   | 2   | 1   | 0   | Reset |
| EA        | - | ET2 | ES | ET1 | EX1 | ET0 | EX0 | 0x00  |

Figure 6.4 UART Bits in Interrupt Enable Register

**Note:** ES - RI & TI interrupt enable flag

| IP (0xB8) |   |     |    |     |     |     |     |       |
|-----------|---|-----|----|-----|-----|-----|-----|-------|
| 7         | 6 | 5   | 4  | 3   | 2   | 1   | 0   | Reset |
| -         | - | PT2 | PS | PT1 | PX1 | PT0 | PX0 | 0x00  |

Figure 6.5 UART Bits in Interrupt Priority Register

**Note:** SMOD0 - Bit for UART baud rate

Unimplemented bit - Read as 0 or 1

| SCON (0x98) |     |     |     |      |      |    |    |       |
|-------------|-----|-----|-----|------|------|----|----|-------|
| 7           | 6   | 5   | 4   | 3    | 2    | 1  | 0  | Reset |
| SM0         | SM1 | SM2 | REN | TB08 | RB08 | TI | RI | 0x00  |

Figure 6.6 UART Configuration Register

**Note:** TI - Transmit interrupt flag, automatically set after completion of a serial transfer. It must be cleared by software.

RI - Receive interrupt flag, automatically set after completion of a serial reception. It must be cleared by software.

All of the bits that generate interrupts can be set or cleared by software, with the same result by hardware. That is, interrupts can be generated or cancelled by software.

Table 6.4 UART Interrupt

| Interrupt Flag | Function       | Active Level/Edge | Flag Resets | Vector | Natural Priority |
|----------------|----------------|-------------------|-------------|--------|------------------|
| TI & RI        | Internal, UART | -                 | software    | 0x23   | 5                |

## 6.2 Mode0, Synchronous

TXD output is a shift clock. The baud rate is fixed at 1/12 of the CLK clock frequency. Eight bits are transmitted with LSB first. Reception is initialized by setting the flags in SCON as follows: RI = 0 and REN = 1.

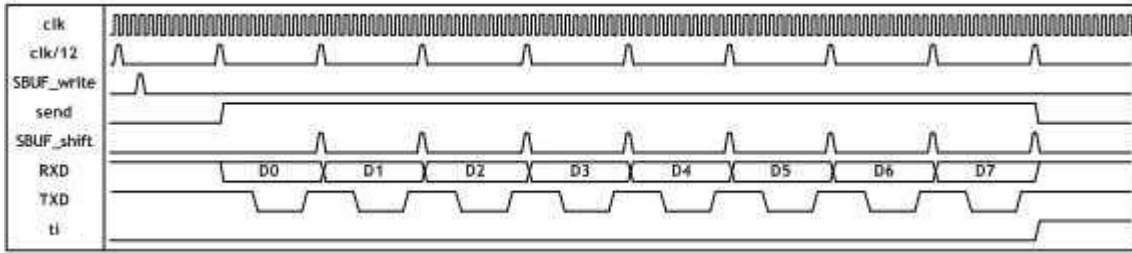


Figure 6.7 Timing Diagram for UART Transmission Mode0 (clk = 88.4736 MHz)

### 6.3 Mode1, 8-Bit UART, Variable Baud Rate, Timer 1 or 2 Clock Source

The pin RXD serves as an input while TXD serves as an output for the serial communication. 10 bits are transmitted in the following sequence: a start bit (always 0), 8 data bits (LSB first), and a stop bit (always 1). During data reception, a start bit synchronizes the transmission. Next, the 8 data bits can be accessed by reading SBUF, and the stop bit triggers the flag RB08 in SFR SCON (0x98). The baud rate is variable and dependent on Timer 1 or Timer 2 mode. To enable Timer 2 clocking, set the TCLK and RCLK bits which are located in the T2CON (0xC8) register.

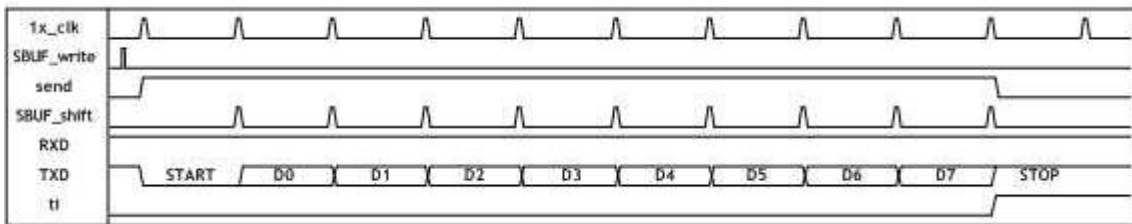


Figure 6.8 Timing Diagram for UART Transmission Mode1

### 6.4 Mode2, 9-Bit UART, Fixed Baud Rate

This mode is almost identical to Mode1 except that the baud rate is fixed at 1/32 or 1/64 of CLK clock frequency, and 11 bits are transmitted or received in the following sequence: A start bit (0), 8 data bits (LSB first), a programmable 9th bit, and a stop bit (1). The 9th bit can be used to control the parity of the UART interface. During a transmission, the TB08 bit in SCON is outputted as the 9<sup>th</sup> bit. While receiving data, the 9<sup>th</sup> bit changes the RB08 bit in SCON.

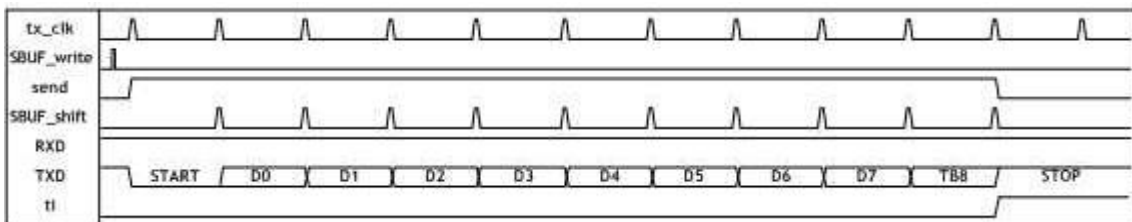


Figure 6.9 Timing Diagram for UART Transmission Mode2

## 6.5 Mode3, 9-Bit UART, Variable Baud Rate, Timer1 or 2 Clock Source

The only difference between Mode2 and Mode3 is the baud rate in Mode3 is variable. Data reception is enabled when REN = 1. The baud rate is variable and dependent on Timer 1 or Timer 2 mode. To enable Timer 2 clocking, set the TCLK and RCLK bits which are located in the T2CON (0xC8) register.



Figure 6.10 Timing Diagram for UART Transmission Mode3

## 6.6 Examples of Baud Rate Setting

Table 6.5 Examples of Baud Rate Setting

| Baud Rate(bps) | Timer 1 / Mode2 |            | Timer 2<br>RLDH(0xCB), RLDL(0xCA) |
|----------------|-----------------|------------|-----------------------------------|
|                | TH1(0x8D)       |            |                                   |
|                | SMOD = '0'      | SMOD = '1' |                                   |
| 2400           | 160(0xA0)       | 64(0x40)   | 64384(0XFB80)                     |
| 4800           | 208(0xD0)       | 160(0xA0)  | 64960(0XFDC0)                     |
| 9600           | 232(0xE8)       | 208(0xD0)  | 65248(0XFEE0)                     |
| 14400          | 240(0xF0)       | 224(0xE0)  | 65344(0XFF40)                     |
| 19200          | 244(0xF4)       | 232(0xE8)  | 65392(0XFF70)                     |
| 28800          | 248(0xF8)       | 240(0xF0)  | 65440(0XFFA0)                     |
| 38400          | 250(0xFA)       | 244(0xF4)  | 65464(0XFFB8)                     |
| 57600          | 252(0xFC)       | 248(0xF8)  | 65488(0XFFD0)                     |
| 115200         | 254(0xFE)       | 252(0xFC)  | 65512(0XFFE8)                     |
| 230400         | 255(0xFF)       | 254(0xFE)  | 65524(0XFFF4)                     |

Note: Baud Rate calculation formula

Using Timer1 - Baud Rate =  $( 2^{SMOD} / 32 ) * ( \text{Clock Frequency} / 12( 256 - TH1 ) )$

Using Timer2 - Baud Rate =  $\text{Clock Frequency} / ( 32 * ( 65536 - ( RLDH, RLDL ) ) )$

## 7 Watchdog Timer

### 7.1 Overview

The Watchdog Timer is driven by the main system clock that is supplied by a series of dividers as shown in the Figure below. The divider output is selectable and determines the timeout intervals. When the timeout is reached, an interrupt flag will be set, and if enabled, a reset will be occurred. When interrupt enable bit and global interrupt are enabled, the interrupt flag will activate the interrupts. The reset and interrupt are completely discrete functions that may be acknowledged separately, together or even ignored depending on the application.

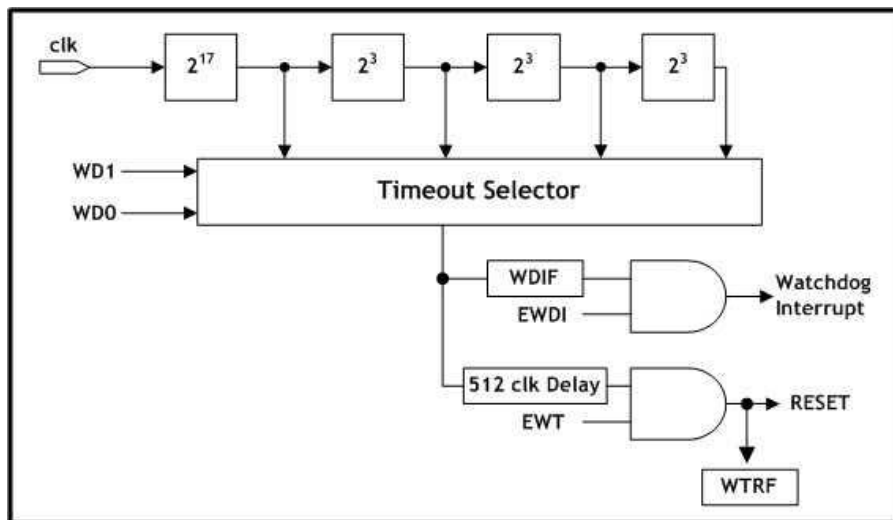


Figure 7.1 Watchdog Timer Structure

### 7.2 Interrupts

Watchdog interrupt related bits are shown below. An interrupt can be turned on/off by the IE (0xA8) and EIE (0xE8) registers, and high/low priorities can be set in the EIP EIP (0xF8) register. The IE contains global interrupt system disable (0) / enable (1) bit called EA.

| IE (0xA8) |   |     |    |     |     |     |     | Reset |
|-----------|---|-----|----|-----|-----|-----|-----|-------|
| 7         | 6 | 5   | 4  | 3   | 2   | 1   | 0   |       |
| EA        | - | ET2 | ES | ET1 | EX1 | ET0 | EX0 | 0x00  |

Figure 7.2 Interrupt Enable Register

| EIE (0xE8) |   |   |      |       |       |       |       | Reset |
|------------|---|---|------|-------|-------|-------|-------|-------|
| 7          | 6 | 5 | 4    | 3     | 2     | 1     | 0     |       |
| -          | - | - | EWDI | EINT5 | EINT4 | EINT3 | EINT2 | 0x00  |

Figure 7.3 Extended Interrupt Enable Register

**Note:** EA - Enable global interrupt

EWDI - Enable Watchdog interrupt

| EIP (0xF8) |   |   |      |       |       |       |       |       |
|------------|---|---|------|-------|-------|-------|-------|-------|
| 7          | 6 | 5 | 4    | 3     | 2     | 1     | 0     | Reset |
| -          | - | - | PWDI | PINT5 | PINT4 | PINT3 | PINT2 | 0x00  |

Figure 7.4 Extended interrupt Priority Register

**Note:** PWDI - Watchdog priority level control (high level at 1)

Unimplemented bit - Read as 0 or 1

| WDCON (0xD8) |   |   |   |      |      |     |     |       |
|--------------|---|---|---|------|------|-----|-----|-------|
| 7            | 6 | 5 | 4 | 3    | 2    | 1   | 0   | Reset |
| -            | - | - | - | WDIF | WTRF | EWT | RWT | 0x00  |

Figure 7.5 Watchdog Control Register

**Note:** WDIF - Watchdog Interrupt Flag. WDIF in conjunction with Enable Watchdog Interrupt bit (EIE.4) and EWT, indicates if a watchdog timer event has occurred and what action should be taken. This bit must be cleared by software before exiting the interrupt service routine or another interrupt is generated. Setting WDIF in software will generate a watchdog interrupt if enabled. User must use ‘Timed Access Register’ when clear this WDIF bit. Please refer to the section 7.8 ‘Timed Access’ procedure.

All of the bits that generate interrupts can be set or cleared by software, with the same result by hardware. That is, interrupts can be generated or cancelled by software.

Table 7.1 Watchdog Interrupt

| Interrupt Flag | Function              | Active Level/Edge | Flag Reset | Vector | Natural Priority |
|----------------|-----------------------|-------------------|------------|--------|------------------|
| WDIF           | Internal,<br>Watchdog | -                 | Software   | 0x63   | 11               |

## 7.3 Watchdog Timer Reset

The Watchdog Timer reset operates as follows. Once the timeout interval is initialized, the system restarts the Watchdog first by using RWT. Then, the reset mode is enabled by the EWT (Enable Watchdog Timer reset = WDCON.1) bit. Before the timer reaches the user selected terminal value, the software can set the RWT (Reset Watchdog Timer = WDCON.0) bit. If RWT is set before the timeout is reached, the timer will start over. If the timeout is reached without RWT being set, the Watchdog will reset the MCU. The Hardware automatically clears RWT after sets the RWT by software. When a reset occurs, the WTRF (Watchdog Timer reset Flag = WDCON.2) will automatically set to indicate the cause of the reset; however, software must clear this bit manually. Do not use the watchdog timer reset, because it can cause the abnormal operation the RESET. Instead, we recommend you to use watchdog timer interrupt.

## 7.4 Simple Timer

The Watchdog Timer is a free running timer. In timer mode with reset disabled (EWT = 0) and interrupt functions disabled (EWDI = 0), the timer counts up to pre-programmed interval in WD[1:0] which will enable the Watchdog interrupt flag. By resetting the RWT bit, this timer can operate in polled timeout mode. The WDIF bit can be cleared by software or reset. The Watchdog interrupt is available for application which requires a long timer. The interrupt is enabled by using the EWDI (Enable WatchDog timer Interrupt = EIE.4) bit. When a timeout occurs, the Watchdog Timer will set the WDIF bit (WDCON.3), and an interrupt will occur if the global interrupt enable (EA) is set. **Note that WDIF is set to 512 clocks before a potential Watchdog reset.** The Watchdog interrupt flag indicates the source of the interrupt, and must be cleared by software. When the Watchdog interrupt is used properly, the Watchdog reset allows the interrupt software to monitor the system for any errors.

## 7.5 System Monitor

If the EWT bit of WDCON was set, W7100A will reset when a Watchdog timeout occurs. User can use the Watchdog timer as a system monitor using this function. For example, assuming that an unexpected code was running, there is no RWT clear routine because this code is not designed by user; resulting a Watchdog timeout to occur, and the W7100A will reset. User can escape unexpected state by using this method.

## 7.6 Watchdog Related Registers

The Watchdog Timer has several SFR bits that are used during its operation. These bits can be utilized as a reset source, interrupt source, software polled timer or any combination of the three. Both the reset and interrupt have status flags. The Watchdog also has a bit which restarts the timer. The table below shows the bit locations with descriptions.

Table 7.2 Summary for Watchdog Related Bits

| Bit Name | Register | Bit Position | Description                          |
|----------|----------|--------------|--------------------------------------|
| EWDI     | EIE      | EIE.4        | Enable Watchdog Timer Interrupt      |
| PWDI     | EIP      | EIP.4        | Priority of Watchdog Timer Interrupt |
| WD[1:0]  | CKCON    | CKCON.7-6    | Watchdog Interval                    |
| RWT      | WDCON    | WDCON.0      | Reset Watchdog Timer                 |
| EWT      |          | WDCON.1      | Enable Watchdog Timer reset          |
| WTRF     |          | WDCON.2      | Watchdog Timer reset flag            |
| WDIF     |          | WDCON.3      | Watchdog Interrupt flag              |

The Watchdog Timer is not disabled during a Watchdog timeout reset, but it restarts the timer. Control bits that support Watchdog operation are described in next subsections.

## 7.7 Watchdog Control

Watchdog control bits are described below. Please note that access (write) to this register has to be performed using '7.8 Timed Access Registers' procedure.

| WDCON (0xD8) |   |   |   |      |      |     |     |       |
|--------------|---|---|---|------|------|-----|-----|-------|
| 7            | 6 | 5 | 4 | 3    | 2    | 1   | 0   | Reset |
| -            | - | - | - | WDIF | WTRF | EWT | RWT | 0x00  |

Figure 7.6 Watchdog Control Register

**Note:** WTRF - Watchdog Timer reset Flag. A Watchdog Timer reset has occurred when this flag is enabled; however, when using software to enable this flag, the Watchdog timer reset is not triggered. During a reset, this flag is cleared otherwise it should be cleared by software. The Watchdog Timer has no effect on this bit if EWT bit is cleared.

EWT - Enable the Watchdog Timer reset. This bit controls the Watchdog Timer to reset the microcontroller, and has no effect on the ability of the Watchdog Timer to generate a Watchdog interrupt. Timed Access procedure must be used to modify this bit.

0 : Watchdog Timer timeout does not reset microcontroller

1 : Watchdog Timer timeout resets microcontroller

RWT - Reset the Watchdog Timer. Setting RWT resets the Watchdog Timer count. Timed Access procedure must be followed to enable this bit before the Watchdog Timer expires, reset or interrupt will be generated if the RWT is enabled.

Unimplemented bit - Read as 0 or 1

The table below summarizes Watchdog control bits and the functions.

Table 7.3 Watchdog Bits and Actions

| EWT | EWDI | WDIF | Result                                                                                                                                               |
|-----|------|------|------------------------------------------------------------------------------------------------------------------------------------------------------|
| X   | X    | 0    | No Watchdog event.                                                                                                                                   |
| 0   | 0    | 1    | Watchdog timeout has expired. No interrupt has been generated.                                                                                       |
| 0   | 1    | 1    | Watchdog interrupt has occurred.                                                                                                                     |
| 1   | 0    | 1    | Watchdog timeout has expired. No interrupt has been generated. Watchdog Timer reset will occur in 512 clock periods (CLK pin) if RWT is not strobed. |
| 1   | 1    | 1    | Watchdog interrupt has occurred. Watchdog Timer reset will occur in 512 clock periods (CLK pin) if RWT is not set using Timed                        |

Access procedure.

## 7.7.1 Clock Control

The Watchdog timeout selection is made using bits WD[1:0] as shown in the Figure below.

| CKCON (0x8E) |     |   |   |   |     |     |     | Reset |
|--------------|-----|---|---|---|-----|-----|-----|-------|
| 7            | 6   | 5 | 4 | 3 | 2   | 1   | 0   |       |
| WD1          | WD0 | - | - | - | MD2 | MD1 | MD0 | 0x03  |

Figure 7.7 Clock Control register - Watchdog bits

Clock control register CKCON(0x8E) contains WD[1:0] bits to select Watchdog Timer timeout period. The Watchdog is clocked directly from the CLK pin. The Watchdog has four timeout selections based on the input CLK clock frequency as shown in the Figure 7.1. The selections are a pre-selected number of clocks.

\*W7100A clock frequency = 88.4736MHz

Table 7.4 Watchdog Intervals

| WD[1:0] | Watchdog Interval | Number of Clocks |
|---------|-------------------|------------------|
| 00      | $2^{17}$          | 131072           |
| 01      | $2^{20}$          | 1048576          |
| 10      | $2^{23}$          | 8388608          |
| 11      | $2^{26}$          | 67108864         |

Note that the time period shown above is for the interrupt events. When the reset is enabled, it will activate 512 clocks later regardless of the interrupt. Therefore, the actual Watchdog timeout is the number of clocks chosen from Watchdog intervals plus 512 clocks (always CLK pin).

## 7.8 Timed Access Registers

Since the WDCON is timed access register, user must use following procedure when set a value to WDCON. TA is an SFR addressed 0xC7.

**MOV TA, #0xAA**

**MOV TA, #0x55**

**;Any direct addressing instruction writing timed access register**

User always use this sequence every setting the WDCON

Table 7.5 Timed Access Registers

| Register name | Description            |
|---------------|------------------------|
| WDCON(0xD8)   | Watchdog configuration |



## 8 TCIPCore

### 8.1 Memory Map

TCIPCore is composed of Common Register, SOCKET Register, TX Memory, and RX Memory as shown below.

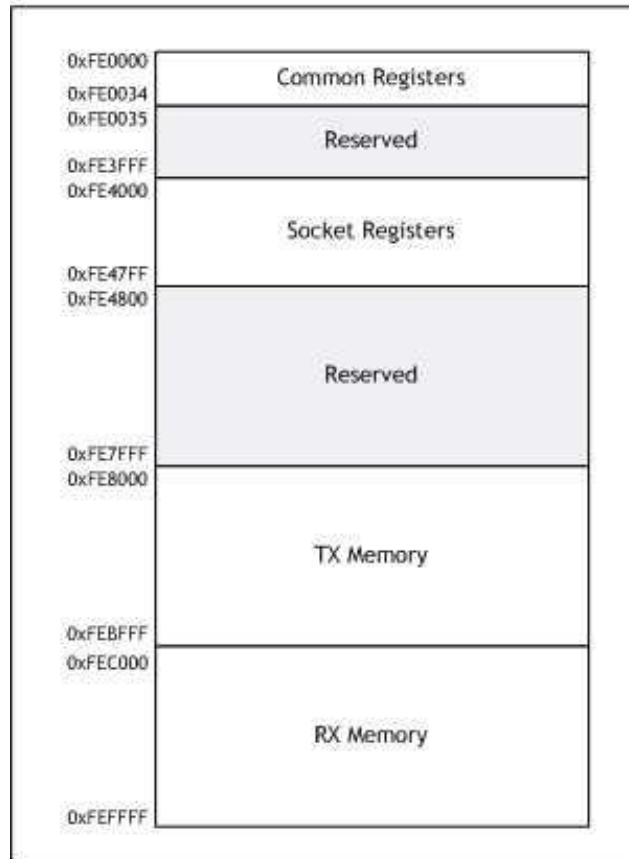


Figure 8.1 TCIPCore Memory Map

## 8.2 Registers list

### 8.2.1 Common Registers

| Address offset | Symbol | Description                    |
|----------------|--------|--------------------------------|
| 0xFE0000       | MR     | Mode Register                  |
| 0xFE0001       | GAR0   | GAR (Gateway Address Register) |
| 0xFE0002       | GAR1   |                                |
| 0xFE0003       | GAR2   |                                |
| 0xFE0004       | GAR3   |                                |
| 0xFE0005       | SUBR0  | SUBR (Subnet Mask Register)    |
| 0xFE0006       | SUBR1  |                                |

|                           |           |                                                  |
|---------------------------|-----------|--------------------------------------------------|
| 0xFE0007                  | SUBR2     |                                                  |
| 0xFE0008                  | SUBR3     |                                                  |
| 0xFE0009                  | SHAR0     | SHAR (Source Hardware Address Register)          |
| 0xFE000A                  | SHAR1     |                                                  |
| 0xFE000B                  | SHAR2     |                                                  |
| 0xFE000C                  | SHAR3     |                                                  |
| 0xFE000D                  | SHAR4     |                                                  |
| 0xFE000E                  | SHAR5     |                                                  |
| 0xFE000F                  | SIPR0     | SIPR (Source IP Address Register)                |
| 0xFE0010                  | SIPR1     |                                                  |
| 0xFE0011                  | SIPR2     |                                                  |
| 0xFE0012                  | SIPR3     |                                                  |
| 0xFE0013                  |           | Reserved                                         |
| 0xFE0014                  |           |                                                  |
| 0xFE0015                  | IR        | Interrupt Register                               |
| 0xFE0016                  | IMR       | Interrupt Mask Register                          |
| 0xFE0017                  | RTR0      | RTR (Retransmission Timeout-value Register)      |
| 0xFE0018                  | RTR1      |                                                  |
| 0xFE0019                  | RCR       | RCR (Retransmission Retry-count Register)        |
| 0xFE001A                  |           | Reserved                                         |
| 0xFE001B                  |           |                                                  |
| 0xFE001C                  | PATR0     | PART (PPPoE Authentication Register)             |
| 0xFE001D                  | PATR1     |                                                  |
| 0xFE001E                  | PPPALGO   | PPPoE Authentication Algorithm Register          |
| 0xFE001F                  | VERSIONR  | W7100A Version Register                          |
| 0xFE0020<br>~<br>0xFE0027 |           | Reserved                                         |
| 0xFE0028                  | PTIMER    | PPP Link Control Protocol Request Timer Register |
| 0xFE0029                  | PMAGIC    | PPP LCP Magic Number Register                    |
| 0xFE002A<br>~<br>0xFE002F |           | Reserved                                         |
| 0xFE0030                  | INTLEVELO | INTLEVEL (Interrupt Low Level Timer Register)    |
| 0xFE0031                  | INTLEVEL1 |                                                  |

|          |     |                           |
|----------|-----|---------------------------|
| 0xFE0032 |     | Reserved                  |
| 0xFE0033 |     |                           |
| 0xFE0034 | IR2 | SOCKET Interrupt Register |

## 8.2.2 SOCKET Registers

| Address offset            | Symbol    | Description                                                  |
|---------------------------|-----------|--------------------------------------------------------------|
| 0xFE4000                  | SO_MR     | SOCKET 0 Mode Register                                       |
| 0xFE4001                  | SO_CR     | SOCKET 0 Command Register                                    |
| 0xFE4002                  | SO_IR     | SOCKET 0 Interrupt Register                                  |
| 0xFE4003                  | SO_SR     | SOCKET 0 SOCKET Status Register                              |
| 0xFE4004                  | SO_PORT0  | SO_PORT (SOCKET 0 Source Port Register)                      |
| 0xFE4005                  | SO_PORT1  |                                                              |
| 0xFE4006                  | SO_DHAR0  | SO_DHAR (SOCKET 0 Destination Hardware Address Register)     |
| 0xFE4007                  | SO_DHAR1  |                                                              |
| 0xFE4008                  | SO_DHAR2  |                                                              |
| 0xFE4009                  | SO_DHAR3  |                                                              |
| 0xFE400A                  | SO_DHAR4  |                                                              |
| 0xFE400B                  | SO_DHAR5  |                                                              |
| 0xFE400C                  | SO_DIPR0  |                                                              |
| 0xFE400D                  | SO_DIPR1  |                                                              |
| 0xFE400E                  | SO_DIPR2  |                                                              |
| 0xFE400F                  | SO_DIPR3  |                                                              |
| 0xFE4010                  | SO_DPORT0 | SO_DPORT (SOCKET 0 Destination Port Register)                |
| 0xFE4011                  | SO_DPORT1 |                                                              |
| 0xFE4012                  | SO_MSSR0  | SO_MSSR (SOCKET 0 Maximum Segment Size Register)             |
| 0xFE4013                  | SO_MSSR1  |                                                              |
| 0xFE4014                  | SO_PROTO  | SOCKET 0 Protocol of IP Header Field Register in IP raw mode |
| 0xFE4015                  | SO_TOS    | SOCKET 0 IP Type of Service(TOS) Register                    |
| 0xFE4016                  | SO_TTL    | SOCKET 0 IP Time to Live(TTL) Register                       |
| 0xFE4017<br>~<br>0xFE401D |           | Reserved                                                     |

|                           |               |                                                          |
|---------------------------|---------------|----------------------------------------------------------|
| 0xFE401E                  | S0_RXMEM_SIZE | SOCKET 0 Receive Memory Size Register                    |
| 0xFE401F                  | S0_TXMEM_SIZE | SOCKET 0 Transmit Memory Size Register                   |
| 0xFE4020                  | S0_TX_FSR0    | S0_TX_FSR (SOCKET 0 Transmit Free Memory Size Register)  |
| 0xFE4021                  | S0_TX_FSR1    |                                                          |
| 0xFE4022                  | S0_TX_RD0     | S0_TX_RD0                                                |
| 0xFE4023                  | S0_TX_RD1     | (SOCKET 0 Transmit Memory Read Pointer Register)         |
| 0xFE4024                  | S0_TX_WR0     | S0_TX_WR                                                 |
| 0xFE4025                  | S0_TX_WR1     | (SOCKET 0 Transmit Memory Write Pointer Register)        |
| 0xFE4026                  | S0_RX_RSR0    | S0_RX_RSR                                                |
| 0xFE4027                  | S0_RX_RSR1    | (SOCKET 0 Received Data Size Register)                   |
| 0xFE4028                  | S0_RX_RD      | S0_RX_RD                                                 |
| 0xFE4029                  | S0_RX_RD1     | (SOCKET 0 Receive Memory Read Pointer Register)          |
| 0xFE402A                  | S0_RX_WR      | S0_RX_WR                                                 |
| 0xFE402B                  | S0_RX_WR1     | (SOCKET 0 Receive Memory Write Pointer Register)         |
| 0xFE402C                  | S0_IMR        | SOCKET 0 Interrupt Mask Register                         |
| 0xFE402D                  | S0_FRAG0      | S0_FRAG                                                  |
| 0xFE402E                  | S0_FRAG1      | (SOCKET 0 Fragment Field Value in IP Header Register)    |
| 0xFE402F<br>~<br>0xFE40FF |               | Reserved                                                 |
| 0xFE4100                  | S1_MR         | SOCKET 1 Mode Register                                   |
| 0xFE4101                  | S1_CR         | SOCKET 1 Command Register                                |
| 0xFE4102                  | S1_IR         | SOCKET 1 Interrupt Register                              |
| 0xFE4103                  | S1_SR         | SOCKET 1 SOCKET Status Register                          |
| 0xFE4104                  | S1_PORT0      | S1_PORT (SOCKET 1 Source Port Register)                  |
| 0xFE4105                  | S1_PORT1      |                                                          |
| 0xFE4106                  | S1_DHAR0      | S1_DHAR (SOCKET 1 Destination Hardware Address Register) |
| 0xFE4107                  | S1_DHAR1      |                                                          |
| 0xFE4108                  | S1_DHAR2      |                                                          |
| 0xFE4109                  | S1_DHAR3      |                                                          |
| 0xFE410A                  | S1_DHAR4      |                                                          |
| 0xFE410B                  | S1_DHAR5      |                                                          |
| 0xFE410C                  | S1_DIPR0      | S1_DIPR (SOCKET 1 Destination IP Address Register)       |
| 0xFE410D                  | S1_DIPR1      |                                                          |

|                           |               |                                                              |
|---------------------------|---------------|--------------------------------------------------------------|
| 0xFE410E                  | S1_DIPR2      |                                                              |
| 0xFE410F                  | S1_DIPR3      |                                                              |
| 0xFE4110                  | S1_DPORT0     | S1_DPORT (SOCKET 1 Destination Port Register)                |
| 0xFE4111                  | S1_DPORT1     |                                                              |
| 0xFE4112                  | S1_MSSR0      | S1_MSSR (SOCKET 1 Maximum Segment Size Register)             |
| 0xFE4113                  | S1_MSSR1      |                                                              |
| 0xFE4114                  | S1_PROTO      | SOCKET 1 Protocol of IP Header Field Register in IP raw mode |
| 0xFE4115                  | S1_TOS        | SOCKET 1 IP Type of Service(TOS) Register                    |
| 0xFE4116                  | S1_TTL        | SOCKET 1 IP Time to Live(TTL) Register                       |
| 0xFE4117<br>~<br>0xFE411D |               | Reserved                                                     |
| 0xFE411E                  | S1_RXMEM_SIZE | SOCKET 1 Receive Memory Size Register                        |
| 0xFE411F                  | S1_TXMEM_SIZE | SOCKET 1 Transmit Memory Size Register                       |
| 0xFE4120                  | S1_TX_FSR0    | S1_TX_FSR (SOCKET 1 Transmit Free Memory Size Register)      |
| 0xFE4121                  | S1_TX_FSR1    |                                                              |
| 0xFE4122                  | S1_TX_RD0     | S1_TX_RD                                                     |
| 0xFE4123                  | S1_TX_RD1     | (SOCKET 1 Transmit Memory Read Pointer Register)             |
| 0xFE4124                  | S1_TX_WR0     | S1_TX_WR                                                     |
| 0xFE4125                  | S1_TX_WR1     | (SOCKET 1 Transmit Memory Write Pointer Register)            |
| 0xFE4126                  | S1_RX_RSR0    | S1_RX_RSR                                                    |
| 0xFE4127                  | S1_RX_RSR1    | (SOCKET 1 Received Data Size Register)                       |
| 0xFE4128                  | S1_RX_RD0     | S1_RX_RD                                                     |
| 0xFE4129                  | S1_RX_RD1     | (SOCKET 1 Receive Memory Read Pointer Register)              |
| 0xFE412A                  | S1_RX_WR0     | S1_RX_WR (SOCKET 1 Receive Memory Write Pointer Register)    |
| 0xFE412B                  | S1_RX_WR1     |                                                              |
| 0xFE412C                  | S1_IMR        | SOCKET 1 Interrupt Mask Register                             |
| 0xFE412D                  | S1_FRAG0      | S1_FRAG                                                      |
| 0xFE412E                  | S1_FRAG1      | (SOCKET 1 Fragment Field Value in IP Header Register)        |
| 0xFE412F<br>~<br>0xFE41FF |               | Reserved                                                     |
| 0xFE4200                  | S2_MR         | SOCKET 2 Mode Register                                       |
| 0xFE4201                  | S2_CR         | SOCKET 2 Command Register                                    |
| 0xFE4202                  | S2_IR         | SOCKET 2 Interrupt Register                                  |

|                           |               |                                                                         |
|---------------------------|---------------|-------------------------------------------------------------------------|
| 0xFE4203                  | S2_SR         | SOCKET 2 SOCKET Status Register                                         |
| 0xFE4204                  | S2_PORT0      | S2_PORT (SOCKET 2 Source Port Register)                                 |
| 0xFE4205                  | S2_PORT1      |                                                                         |
| 0xFE4206                  | S2_DHAR0      | S2_DHAR (SOCKET 2 Destination Hardware Address Register)                |
| 0xFE4207                  | S2_DHAR1      |                                                                         |
| 0xFE4208                  | S2_DHAR2      |                                                                         |
| 0xFE4209                  | S2_DHAR3      |                                                                         |
| 0xFE420A                  | S2_DHAR4      |                                                                         |
| 0xFE420B                  | S2_DHAR5      |                                                                         |
| 0xFE420C                  | S2_DIPR0      | S2_DIPR (SOCKET 2 Destination IP Address Register)                      |
| 0xFE420D                  | S2_DIPR1      |                                                                         |
| 0xFE420E                  | S2_DIPR2      |                                                                         |
| 0xFE420F                  | S2_DIPR3      |                                                                         |
| 0xFE4210                  | S2_DPORT0     | S2_DPORT (SOCKET 2 Destination Port Register)                           |
| 0xFE4211                  | S2_DPORT1     |                                                                         |
| 0xFE4212                  | S2_MSSR0      | S2_MSSR (SOCKET 2 Maximum Segment Size Register)                        |
| 0xFE4213                  | S2_MSSR1      |                                                                         |
| 0xFE4214                  | S2_PROTO0     | S2_PROTO (SOCKET 2 Protocol of IP Header Field Register in IP raw mode) |
|                           | S2_PROTO1     |                                                                         |
| 0xFE4215                  | S2_TOS        | SOCKET 2 IP Type of Service(TOS) Register                               |
| 0xFE4216                  | S2_TTL        | SOCKET 2 IP Time to Live(TTL) Register                                  |
| 0xFE4217<br>~<br>0xFE421D |               | Reserved                                                                |
| 0xFE421E                  | S2_RXMEM_SIZE | SOCKET 2 Receive Memory Size Register                                   |
| 0xFE421F                  | S2_TXMEM_SIZE | SOCKET 2 Transmit Memory Size Register                                  |
| 0xFE4220                  | S2_TX_FSR0    | S2_TX_FSR (SOCKET 2 Transmit Free Memory Size Register)                 |
| 0xFE4221                  | S2_TX_FSR1    |                                                                         |
| 0xFE4222                  | S2_TX_RD0     | S2_TX_RD                                                                |
| 0xFE4223                  | S2_TX_RD1     | (SOCKET 2 Transmit Memory Read Pointer Register)                        |
| 0xFE4224                  | S2_TX_WR0     | S2_TX_WR                                                                |
| 0xFE4225                  | S2_TX_WR1     | (SOCKET 2 Transmit Memory Write Pointer Register)                       |
| 0xFE4226                  | S2_RX_RSR0    | S2_RX_RSR (SOCKET 2 Received Data Size Register)                        |
| 0xFE4227                  | S2_RX_RSR1    |                                                                         |

|                           |           |                                                              |
|---------------------------|-----------|--------------------------------------------------------------|
| 0xFE4228                  | S2_RX_RD0 | S2_RX_RD                                                     |
| 0xFE4229                  | S2_RX_RD1 | (SOCKET 2 Receive Memory Read Pointer Register)              |
| 0xFE422A                  | S2_RX_WR0 | S2_RX_WR                                                     |
| 0xFE422B                  | S2_RX_WR1 | (SOCKET 2 Receive Memory Write Pointer Register)             |
| 0xFE422C                  | S2_IMR    | SOCKET 2 Interrupt Mask Register                             |
| 0xFE422D                  | S2_FRAG0  | SOCKET 2 Fragment Field Value in IP Header Register          |
| 0xFE422E                  | S2_FRAG1  |                                                              |
| 0xFE422F<br>~<br>0xFE42FF |           | Reserved                                                     |
| 0xFE4300                  | S3_MR     | SOCKET 3 Mode Register                                       |
| 0xFE4301                  | S3_CR     | SOCKET 3 Command Register                                    |
| 0xFE4302                  | S3_IR     | SOCKET 3 Interrupt Register                                  |
| 0xFE4303                  | S3_SR     | SOCKET 3 SOCKET Status Register                              |
| 0xFE4304                  | S3_PORT0  | S3_PORT (SOCKET 3 Source Port Register)                      |
| 0xFE4305                  | S3_PORT1  |                                                              |
| 0xFE4306                  | S3_DHAR0  | S3_DHAR (SOCKET 3 Destination Hardware Address Register)     |
| 0xFE4307                  | S3_DHAR1  |                                                              |
| 0xFE4308                  | S3_DHAR2  |                                                              |
| 0xFE4309                  | S3_DHAR3  |                                                              |
| 0xFE430A                  | S3_DHAR4  | S3_DHAR (SOCKET 3 Destination Hardware Address Register)     |
| 0xFE430B                  | S3_DHAR5  |                                                              |
| 0xFE430C                  | S3_DIPR0  |                                                              |
| 0xFE430D                  | S3_DIPR1  | S3_DIPR (SOCKET 3 Destination IP Address Register)           |
| 0xFE430E                  | S3_DIPR2  |                                                              |
| 0xFE430F                  | S3_DIPR3  |                                                              |
| 0xFE4310                  | S3_DPORT0 |                                                              |
| 0xFE4311                  | S3_DPORT1 | S3_DPORT (SOCKET 3 Destination Port Register)                |
| 0xFE4312                  | S3_MSSR0  | S3_MSSR (SOCKET 3 Maximum Segment Size Register)             |
| 0xFE4313                  | S3_MSSR1  |                                                              |
| 0xFE4314                  | S3_PROTO  | SOCKET 3 Protocol of IP Header Field Register in IP raw mode |
| 0xFE4315                  | S3_TOS    | SOCKET 3 IP Type of Service(TOS) Register                    |

|                           |               |                                                          |
|---------------------------|---------------|----------------------------------------------------------|
| 0xFE4316                  | S0_TTL        | SOCKET 3 IP Time to Live(TTL) Register                   |
| 0xFE4317<br>~<br>0xFE431D |               | Reserved                                                 |
| 0xFE431E                  | S3_RXMEM_SIZE | SOCKET 3 Receive Memory Size Register                    |
| 0xFE431F                  | S3_TXMEM_SIZE | SOCKET 3 Transmit Memory Size Register                   |
| 0xFE4320                  | S3_TX_FSR0    | S3_TX_FSR (SOCKET 3 Transmit Free Memory Size Register)  |
| 0xFE4321                  | S3_TX_FSR1    |                                                          |
| 0xFE4322                  | S3_TX_RD0     | S3_TX_RD                                                 |
| 0xFE4323                  | S3_TX_RD1     | (SOCKET 3 Transmit Memory Read Pointer Register)         |
| 0xFE4324                  | S3_TX_WR0     | S3_TX_WR                                                 |
| 0xFE4325                  | S3_TX_WR1     | (SOCKET 3 Transmit Memory Write Pointer Register)        |
| 0xFE4326                  | S3_RX_RSR0    | S3_RX_RSR (SOCKET 3 Received Data Size Register)         |
| 0xFE4327                  | S3_RX_RSR1    |                                                          |
| 0xFE4328                  | S3_RX_RD0     | S3_RX_RD                                                 |
| 0xFE4329                  | S3_RX_RD1     | (SOCKET 3 Receive Memory Read Pointer Register)          |
| 0xFE432A                  | S3_RX_WR0     | S3_RX_WR                                                 |
| 0xFE432B                  | S3_RX_WR1     | (SOCKET 3 Receive Memory Write Pointer Register)         |
| 0xFE432C                  | S3_IMR        | SOCKET 3 Interrupt Mask Register                         |
| 0xFE432D                  | S3_FRAG0      | SOCKET 3 Fragment Field Value in IP Header Register      |
| 0xFE432E                  | S3_FRAG1      |                                                          |
| 0xFE432F<br>~<br>0xFE43FF |               | Reserved                                                 |
| 0xFE4400                  | S4_MR         | SOCKET 4 Mode Register                                   |
| 0xFE4401                  | S4_CR         | SOCKET 4 Command Register                                |
| 0xFE4402                  | S4_IR         | SOCKET 4 Interrupt Register                              |
| 0xFE4403                  | S4_SR         | SOCKET 4 SOCKET Status Register                          |
| 0xFE4404                  | S4_PORT0      | S4_PORT (SOCKET 4 Source Port Register)                  |
| 0xFE4405                  | S4_PORT1      |                                                          |
| 0xFE4406                  | S4_DHAR0      | S4_DHAR (SOCKET 4 Destination Hardware Address Register) |
| 0xFE4407                  | S4_DHAR1      |                                                          |
| 0xFE4408                  | S4_DHAR2      |                                                          |
| 0xFE4409                  | S4_DHAR3      |                                                          |
| 0xFE440A                  | S4_DHAR4      |                                                          |



|                           |               |                                                              |
|---------------------------|---------------|--------------------------------------------------------------|
| 0xFE440B                  | S4_DHAR5      |                                                              |
| 0xFE440C                  | S4_DIPR0      | S4_DIPR (SOCKET 4 Destination IP Address Register)           |
| 0xFE440D                  | S4_DIPR1      |                                                              |
| 0xFE440E                  | S4_DIPR2      |                                                              |
| 0xFE440F                  | S4_DIPR3      |                                                              |
| 0xFE4410                  | S4_DPORT0     | S4_DPORT (SOCKET 4 Destination Port Register)                |
| 0xFE4411                  | S4_DPORT1     |                                                              |
| 0xFE4412                  | S4_MSSR0      | S4_MSSR (SOCKET 4 Maximum Segment Size Register)             |
| 0xFE4413                  | S4_MSSR1      |                                                              |
| 0xFE4414                  | S4_PROTO      | SOCKET 4 Protocol of IP Header Field Register in IP raw mode |
| 0xFE4415                  | S4_TOS        | SOCKET 4 IP Type of Service(TOS) Register                    |
| 0xFE4416                  | S4_TTL        | SOCKET 4 IP Time to Live(TTL) Register                       |
| 0xFE4417<br>~<br>0xFE441D |               | Reserved                                                     |
| 0xFE441E                  | S4_RXMEM_SIZE | SOCKET 4 Receive Memory Size Register                        |
| 0xFE441F                  | S4_TXMEM_SIZE | SOCKET 4 Transmit Memory Size Register                       |
| 0xFE4420                  | S4_TX_FSR0    | S4_TX_FSR (SOCKET 4 Transmit Free Memory Size Register)      |
| 0xFE4421                  | S4_TX_FSR1    |                                                              |
| 0xFE4422                  | S4_TX_RD0     | S4_TX_RD                                                     |
| 0xFE4423                  | S4_TX_RD1     | (SOCKET 4 Transmit Memory Read Pointer Register)             |
| 0xFE4424                  | S4_TX_WR0     | S4_TX_WR                                                     |
| 0xFE4425                  | S4_TX_WR1     | (SOCKET 4 Transmit Memory Write Pointer Register)            |
| 0xFE4426                  | S4_RX_RSR0    | S4_RX_RSR (SOCKET 4 Received Data Size Register)             |
| 0xFE4427                  | S4_RX_RSR1    |                                                              |
| 0xFE4428                  | S4_RX_RD0     | S4_RX_RD                                                     |
| 0xFE4429                  | S4_RX_RD1     | (SOCKET 4 Receive Memory Read Pointer Register)              |
| 0xFE442A                  | S4_RX_WR0     | S4_RX_WR                                                     |
| 0xFE442B                  | S4_RX_WR1     | (SOCKET 4 Receive Memory Write Pointer Register)             |
| 0xFE442C                  | S4_IMR        | SOCKET 4 Interrupt Mask Register                             |
| 0xFE442D                  | S4_FRAG0      | SOCKET 4 Fragment Field Value in IP Header Register          |
| 0xFE442E                  | S4_FRAG1      |                                                              |

|                           |               |                                                              |
|---------------------------|---------------|--------------------------------------------------------------|
| 0xFE442F<br>~<br>0xFE44FF |               | Reserved                                                     |
| 0xFE4500                  | S5_MR         | SOCKET 5 Mode Register                                       |
| 0xFE4501                  | S5_CR         | SOCKET 5 Command Register                                    |
| 0xFE4502                  | S5_IR         | SOCKET 5 Interrupt Register                                  |
| 0xFE4503                  | S5_SR         | SOCKET 5 SOCKET Status Register                              |
| 0xFE4504                  | S5_PORT0      | S5_PORT (SOCKET 5 Source Port Register)                      |
| 0xFE4505                  | S5_PORT1      |                                                              |
| 0xFE4506                  | S5_DHAR0      | S5_DHAR (SOCKET 5 Destination Hardware Address Register)     |
| 0xFE4507                  | S5_DHAR1      |                                                              |
| 0xFE4508                  | S5_DHAR2      |                                                              |
| 0xFE4509                  | S5_DHAR3      |                                                              |
| 0xFE450A                  | S5_DHAR4      |                                                              |
| 0xFE450B                  | S5_DHAR5      |                                                              |
| 0xFE450C                  | S5_DIPR0      | S5_DIPR (SOCKET 5 Destination IP Address Register)           |
| 0xFE450D                  | S5_DIPR1      |                                                              |
| 0xFE450E                  | S5_DIPR2      | S5_DIPR (SOCKET 5 Destination IP Address Register)           |
| 0xFE450F                  | S5_DIPR3      |                                                              |
| 0xFE4510                  | S5_DPORT0     | S5_DPORT (SOCKET 5 Destination Port Register)                |
| 0xFE4511                  | S5_DPORT1     |                                                              |
| 0xFE4512                  | S5_MSSR0      | S5_MSSR (SOCKET 5 Maximum Segment Size Register)             |
| 0xFE4513                  | S5_MSSR1      |                                                              |
| 0xFE4514                  | S5_PROTO      | SOCKET 5 Protocol of IP Header Field Register in IP raw mode |
| 0xFE4515                  | S5_TOS        | SOCKET 5 IP Type of Service(TOS) Register                    |
| 0xFE4516                  | S5_TTL        | SOCKET 5 IP Time to Live(TTL) Register                       |
| 0xFE4517<br>~<br>0xFE451D |               | Reserved                                                     |
| 0xFE451E                  | S5_RXMEM_SIZE | SOCKET 5 Receive Memory Size Register                        |
| 0xFE451F                  | S5_TXMEM_SIZE | SOCKET 5 Transmit Memory Size Register                       |
| 0xFE4520                  | S5_TX_FSR0    | S5_TX_FSR (SOCKET 5 Transmit Free Memory Size Register)      |
| 0xFE4521                  | S5_TX_FSR1    |                                                              |

|                           |            |                                                          |
|---------------------------|------------|----------------------------------------------------------|
| 0xFE4522                  | S5_TX_RD0  | S5_TX_RD                                                 |
| 0xFE4523                  | S5_TX_RD1  | (SOCKET 5 Transmit Memory Read Pointer Register)         |
| 0xFE4524                  | S5_TX_WR0  | S5_TX_WR                                                 |
| 0xFE4525                  | S5_TX_WR1  | (SOCKET 5 Transmit Memory Write Pointer Register)        |
| 0xFE4526                  | S5_RX_RSR0 | S5_RX_RSR (SOCKET 5 Received Data Size Register)         |
| 0xFE4527                  | S5_RX_RSR1 |                                                          |
| 0xFE4528                  | S5_RX_RD0  | S5_RX_RD                                                 |
| 0xFE4529                  | S5_RX_RD1  | (SOCKET 5 Receive Memory Read Pointer Register)          |
| 0xFE452A                  | S5_RX_WR0  | S5_RX_WR                                                 |
| 0xFE452B                  | S5_RX_WR1  | (SOCKET 5 Receive Memory Write Pointer Register)         |
| 0xFE452C                  | S5_IMR     | SOCKET 5 Interrupt Mask Register                         |
| 0xFE452D                  | S5_FRAG0   | S5_FRAG                                                  |
| 0xFE452E                  | S5_FRAG1   | (SOCKET 5 Fragment Field Value in IP Header Register)    |
| 0xFE452F<br>~<br>0xFE45FF |            | Reserved                                                 |
| 0xFE4600                  | S6_MR      | SOCKET 6 Mode Register                                   |
| 0xFE4601                  | S6_CR      | SOCKET 6 Command Register                                |
| 0xFE4602                  | S6_IR      | SOCKET 6 Interrupt Register                              |
| 0xFE4603                  | S6_SR      | SOCKET 6 SOCKET Status Register                          |
| 0xFE4604                  | S6_PORT0   | S6_PORT (SOCKET 6 Source Port Register)                  |
| 0xFE4605                  | S6_PORT1   |                                                          |
| 0xFE4606                  | S6_DHAR0   | S6_DHAR (SOCKET 6 Destination Hardware Address Register) |
| 0xFE4607                  | S6_DHAR1   |                                                          |
| 0xFE4608                  | S6_DHAR2   |                                                          |
| 0xFE4609                  | S6_DHAR3   |                                                          |
| 0xFE460A                  | S6_DHAR4   |                                                          |
| 0xFE460B                  | S6_DHAR5   |                                                          |
| 0xFE460C                  | S6_DIPR0   | S6_DIPR (SOCKET 6 Destination IP Address Register)       |
| 0xFE460D                  | S6_DIPR1   |                                                          |
| 0xFE460E                  | S6_DIPR2   |                                                          |
| 0xFE460F                  | S6_DIPR3   |                                                          |
| 0xFE4610                  | S6_DPORT0  | S6_DPORT (SOCKET 6 Destination Port Register)            |

|                           |               |                                                              |
|---------------------------|---------------|--------------------------------------------------------------|
| 0xFE4611                  | S6_DPORT1     |                                                              |
| 0xFE4612                  | S6_MSSR0      | S6_MSSR (SOCKET 6 Maximum Segment Size Register)             |
| 0xFE4613                  | S6_MSSR1      |                                                              |
| 0xFE4614                  | S6_PROTO      | SOCKET 6 Protocol of IP Header Field Register in IP raw mode |
| 0xFE4615                  | S6_TOS        | SOCKET 6 IP Type of Service(TOS) Register                    |
| 0xFE4616                  | S6_TTL        | SOCKET 6 IP Time to Live(TTL) Register                       |
| 0xFE4617<br>~<br>0xFE461D |               | Reserved                                                     |
| 0xFE461E                  | S6_RXMEM_SIZE | SOCKET 6 Receive Memory Size Register                        |
| 0xFE461F                  | S6_TXMEM_SIZE | SOCKET 6 Transmit Memory Size Register                       |
| 0xFE4620                  | S6_TX_FSR0    | S6_TX_FSR (SOCKET 6 Transmit Free Memory Size Register)      |
| 0xFE4621                  | S6_TX_FSR1    |                                                              |
| 0xFE4622                  | S6_TX_RD0     | S6_TX_RD                                                     |
| 0xFE4623                  | S6_TX_RD1     | (SOCKET 6 Transmit Memory Read Pointer Register)             |
| 0xFE4624                  | S6_TX_WR0     | S6_TX_WR                                                     |
| 0xFE4625                  | S6_TX_WR1     | (SOCKET 6 Transmit Memory Write Pointer Register)            |
| 0xFE4626                  | S6_RX_RSR0    | S6_RX_RSR (SOCKET 6 Received Data Size Register)             |
| 0xFE4627                  | S6_RX_RSR1    |                                                              |
| 0xFE4628                  | S6_RX_RD0     | S6_RX_RD                                                     |
| 0xFE4629                  | S6_RX_RD1     | (SOCKET 6 Receive Memory Read Pointer Register)              |
| 0xFE462A                  | S6_RX_WR0     | S6_RX_WR                                                     |
| 0xFE462B                  | S6_RX_WR1     | (SOCKET 6 Receive Memory Write Pointer Register)             |
| 0xFE462C                  | S6_IMR        | SOCKET 6 Interrupt Mask Register                             |
| 0xFE462D                  | S6_FRAG0      | S6_FRAG                                                      |
| 0xFE462E                  | S6_FRAG1      | (SOCKET 6 Fragment Field Value in IP Header Register)        |
| 0xFE462F<br>~<br>0xFE46FF |               | Reserved                                                     |
| 0xFE4700                  | S7_MR         | SOCKET 7 Mode Register                                       |
| 0xFE4701                  | S7_CR         | SOCKET 7 Command Register                                    |

|                           |               |                                                              |
|---------------------------|---------------|--------------------------------------------------------------|
| 0xFE4702                  | S7_IR         | SOCKET 7 Interrupt Register                                  |
| 0xFE4703                  | S7_SR         | SOCKET 7 SOCKET Status Register                              |
| 0xFE4704                  | S7_PORT0      | S7_PORT (SOCKET 7 Source Port Register)                      |
| 0xFE4705                  | S7_PORT1      |                                                              |
| 0xFE4706                  | S7_DHAR0      | S7_DHAR (SOCKET 7 Destination Hardware Address Register)     |
| 0xFE4707                  | S7_DHAR1      |                                                              |
| 0xFE4708                  | S7_DHAR2      |                                                              |
| 0xFE4709                  | S7_DHAR3      |                                                              |
| 0xFE470A                  | S7_DHAR4      |                                                              |
| 0xFE470B                  | S7_DHAR5      |                                                              |
| 0xFE470C                  | S7_DIPR0      | S7_DIPR (SOCKET 7 Destination IP Address Register)           |
| 0xFE470D                  | S7_DIPR1      |                                                              |
| 0xFE470E                  | S7_DIPR2      |                                                              |
| 0xFE470F                  | S7_DIPR3      |                                                              |
| 0xFE4710                  | S7_DPORT0     | S7_DPORT (SOCKET 7 Destination Port Register)                |
| 0xFE4711                  | S7_DPORT1     |                                                              |
| 0xFE4712                  | S7_MSSR0      | S7_MSSR (SOCKET 7 Maximum Segment Size Register)             |
| 0xFE4713                  | S7_MSSR1      |                                                              |
| 0xFE4714                  | S0_PROTO      | SOCKET 7 Protocol of IP Header Field Register in IP raw mode |
| 0xFE4715                  | S7_TOS        | SOCKET 7 IP Type of Service(TOS) Register                    |
| 0xFE4716                  | S7_TTL        | SOCKET 7 IP Time to Live(TTL) Register                       |
| 0xFE4717<br>~<br>0xFE471D |               | Reserved                                                     |
| 0xFE471E                  | S7_RXMEM_SIZE | SOCKET 7 Receive Memory Size Register                        |
| 0xFE471F                  | S7_TXMEM_SIZE | SOCKET 7 Transmit Memory Size Register                       |
| 0xFE4720                  | S7_TX_FSR0    | S7_TX_FSR (SOCKET 7 Transmit Free Memory Size Register)      |
| 0xFE4721                  | S7_TX_FSR1    |                                                              |
| 0xFE4722                  | S7_TX_RD0     | S7_TX_RD                                                     |
| 0xFE4723                  | S7_TX_RD1     | (SOCKET 7 Transmit Memory Read Pointer Register)             |
| 0xFE4724                  | S7_TX_WR0     | S7_TX_WR                                                     |
| 0xFE4725                  | S7_TX_WR1     | (SOCKET 7 Transmit Memory Write Pointer Register)            |
| 0xFE4726                  | S7_RX_RSR0    | S7_RX_RSR (SOCKET 7 Received Data Size Register)             |
| 0xFE4727                  | S7_RX_RSR1    |                                                              |

|                           |           |                                                                  |
|---------------------------|-----------|------------------------------------------------------------------|
| 0xFE4728                  | S7_RX_RD0 | S7_RX_RD<br>(SOCKET 7 Receive Memory Read Pointer Register)      |
| 0xFE4729                  | S7_RX_RD1 |                                                                  |
| 0xFE472A                  | S7_RX_WR0 | S7_RX_WR<br>(SOCKET 7 Receive Memory Write Pointer Register)     |
| 0xFE472B                  | S7_RX_WR1 |                                                                  |
| 0xFE472C                  | S7_IMR    | SOCKET 7 Interrupt Mask Register                                 |
| 0xFE472D                  | S7_FRAG0  | S7_FRAG<br>(SOCKET 7 Fragment Field Value in IP Header Register) |
| 0xFE472E                  | S7_FRAG1  |                                                                  |
| 0xFE472F<br>~<br>0xFE47FF |           | Reserved                                                         |

## 8.3 Register Description

### 8.3.1 Mode Register

**MR (Mode Register) [R/W] [0xFE0000] [0x00]**

This register is used for S/W reset, ping block mode and PPPoE mode.

|     |   |   |    |       |   |   |   |
|-----|---|---|----|-------|---|---|---|
| 7   | 6 | 5 | 4  | 3     | 2 | 1 | 0 |
| RST |   |   | PB | PPPoE |   |   |   |

| Bit | Symbol   | Description                                                                                                                                                                                                                                       |
|-----|----------|---------------------------------------------------------------------------------------------------------------------------------------------------------------------------------------------------------------------------------------------------|
| 7   | RST      | <b>S/W Reset</b><br>If this bit is '1', internal register will be initialized. It will be automatically cleared after reset.                                                                                                                      |
| 6   | Reserved | Reserved                                                                                                                                                                                                                                          |
| 5   | Reserved | Reserved                                                                                                                                                                                                                                          |
| 4   | PB       | <b>Ping Block Mode</b><br>0 : Disable Ping block<br>1 : Enable Ping block<br>If the bit is set as '1', there is no response to the ping request.                                                                                                  |
| 3   | PPPoE    | <b>PPPoE Mode</b><br>0 : Disable PPPoE mode<br>1 : Enable PPPoE mode<br>If a user uses ADSL without router or etc, the bit should be set as '1' to connect to ADSL Server. For more detail, refer to the application note, "How to connect ADSL". |
| 2   | Reserved | Reserved                                                                                                                                                                                                                                          |
| 1   | Reserved | Reserved                                                                                                                                                                                                                                          |
| 0   | Reserved | Reserved                                                                                                                                                                                                                                          |

### GAR (Gateway IP Address Register) [R/W] [0xFE0001 - 0xFE0004] [0x00]

This Register sets up the default gateway address.

Ex) In case of “192.168.0.1”

|            |            |          |          |
|------------|------------|----------|----------|
| 0xFE0001   | 0xFE0002   | 0xFE0003 | 0xFE0004 |
| 192 (0xC0) | 168 (0xA8) | 0 (0x00) | 1 (0x01) |

### SUBR (Subnet Mask Register) [R/W] [0xFE0005 - 0xFE0008] [0x00]

This register sets up the subnet mask address.

Ex) In case of “255.255.255.0”

|            |            |            |          |
|------------|------------|------------|----------|
| 0xFE0005   | 0xFE0006   | 0xFE0007   | 0xFE0008 |
| 255 (0xFF) | 255 (0xFF) | 255 (0xFF) | 0 (0x00) |

### SHAR (Source Hardware Address Register) [R/W] [0xFE0009 - 0xFE000E] [0x00]

This register sets up the Source Hardware address.

Ex) In case of “00.08.DC.01.02.03”

|          |          |          |          |          |          |
|----------|----------|----------|----------|----------|----------|
| 0xFE0009 | 0xFE000A | 0xFE000B | 0xFE000C | 0xFE000D | 0xFE000E |
| 0x00     | 0x08     | 0xDC     | 0x01     | 0x02     | 0x03     |

### SIPR (Source IP Address Register) [R/W] [0xFE000F - 0xFE0012] [0x00]

This register sets up the Source IP address.

Ex) In case of “192.168.0.2”

|            |            |          |          |
|------------|------------|----------|----------|
| 0xFE000F   | 0xFE0010   | 0xFE0011 | 0xFE0012 |
| 192 (0xC0) | 168 (0xA8) | 0 (0x00) | 2 (0x02) |

### IR (Interrupt Register) [R] [0xFE0015] [0x00]

This register is accessed by the MCU of W7100A to determine the cause of an interrupt. As long as any IR bit is set, the INT5(nINT5: TCIPCore interrupt) signal is asserted low, and it will not go high until all bits is cleared in the **Interrupt Register**.

|          |         |       |          |          |          |          |          |
|----------|---------|-------|----------|----------|----------|----------|----------|
| 7        | 6       | 5     | 4        | 3        | 2        | 1        | 0        |
| CONFLICT | UNREACH | PPPoE | Reserved | Reserved | Reserved | Reserved | Reserved |

| Bit | Symbol   | Description                                                                                                                                                               |
|-----|----------|---------------------------------------------------------------------------------------------------------------------------------------------------------------------------|
| 7   | CONFLICT | <b>IP Conflict</b><br>When the ARP request has the same IP address as the Source IP address, this bit is set as ‘1’. It can be cleared to ‘0’ by writing ‘1’ to this bit. |
| 6   | UNREACH  | <b>Destination unreachable</b><br>W7100A will receive ICMP(Destination Unreachable) packet if non-existing                                                                |

|   |          |                                                                                                                                                                      |
|---|----------|----------------------------------------------------------------------------------------------------------------------------------------------------------------------|
|   |          | destination IP address is transmitted during a UDP data transmission. The UNREACH bit will be set as '1'. This bit can be cleared to '0' by writing '1' to this bit. |
| 5 | PPPoE    | <b>PPPoE Connection Close</b><br>In the PPPoE Mode, '1' is set if the PPPoE connection is closed. This bit can be cleared to '0' by writing '1' to this bit.         |
| 4 | Reserved | Reserved                                                                                                                                                             |
| 3 | Reserved | Reserved                                                                                                                                                             |
| 2 | Reserved | Reserved                                                                                                                                                             |
| 1 | Reserved | Reserved                                                                                                                                                             |
| 0 | Reserved | Reserved                                                                                                                                                             |

#### IMR (Interrupt Mask Register) [R/W] [0xFE0016] [0x00]

The Interrupt Mask Register is used for masking interrupts. Each interrupt mask bit corresponds to a bit in the Interrupt Register2 (IR2). If an interrupt mask bit is set, an interrupt will be issued whenever the corresponding bit in the IR2 is set. If the bit of IMR is set as '0', corresponding interrupt will not be triggered by the enabled bit in the IR2.

|        |        |        |        |        |        |        |        |
|--------|--------|--------|--------|--------|--------|--------|--------|
| 7      | 6      | 5      | 4      | 3      | 2      | 1      | 0      |
| S7_INT | S6_INT | S5_INT | S4_INT | S3_INT | S2_INT | S1_INT | S0_INT |

| Bit | Symbol | Description               |
|-----|--------|---------------------------|
| 7   | S7_INT | IR(S7_INT) Interrupt Mask |
| 6   | S6_INT | IR(S6_INT) Interrupt Mask |
| 5   | S5_INT | IR(S5_INT) Interrupt Mask |
| 4   | S4_INT | IR(S4_INT) Interrupt Mask |
| 3   | S3_INT | IR(S3_INT) Interrupt Mask |
| 2   | S2_INT | IR(S2_INT) Interrupt Mask |
| 1   | S1_INT | IR(S1_INT) Interrupt Mask |
| 0   | S0_INT | IR(S0_INT) Interrupt Mask |

#### RTR (Retry Time-period Register) [R/W] [0xFE0017 - 0xFE0018] [0x07D0]

This register sets the period of timeout. Value 1 means 100us. The default timeout is 200ms which has a value of 2000 (0x07D0).

Ex) For 400ms configuration, set as 4000(0x0FA0)

|          |          |
|----------|----------|
| 0xFE0017 | 0xFE0018 |
| 0x0F     | 0xA0     |

Re-transmission will occur if there is no response or response is delayed from the remote



peer.

### **RCR (Retry Count Register) [R/W] [0xFE0019] [0x08]**

This register sets the number of re-transmission. If retransmission occurs more than the number of retries recorded in RCR, a Timeout Interrupt will occur. (TIMEOUT bit of SOCKET *n* Interrupt Register (Sn\_IR) is set as '1')

In TCP communication, the value of Sn\_SR is changed to 'SOCK\_CLOSED' at the same time with Sn\_IR(TIMEOUT) = '1'. Not in TCP communication, only Sn\_IR(TIMEOUT) = '1'.

The timeout of W7100A can be configurable with RTR and RCR. W7100A's timeout has ARP and TCP retransmission timeout.

At the ARP(Refer to RFC 826, <http://www.ietf.org/rfc.html>) retransmission timeout, W7100A automatically sends ARP-request to the peer's IP address in order to acquire MAC address information (used for communication of IP, UDP, or TCP). As waiting for ARP-response from the peer, if there is no response during the time set in RTR, timeout occurs and ARP-request is re-transmitted. It is repeated as many as 'RCR + 1' times.

Even after ARP-request retransmissions are repeated 'RCR + 1' times, if there is no ARP-response, the final timeout occurs and Sn\_IR(TIMEOUT) becomes '1'.

The value of final timeout (ARP<sub>TO</sub>) of ARP-request is as below.

$$\text{ARP}_{\text{TO}} = ( \text{RTR} \times 0.1\text{ms} ) \times ( \text{RCR} + 1 )$$

During the TCP packet retransmission timeout, W7100A transmits TCP packets (SYN, FIN, RST, DATA packets) and waits for the acknowledgement (ACK) during the time set in RTR and RCR. If there is no ACK from the peer, timeout occurs and TCP packets (sent earlier) are retransmitted. The retransmissions are repeated as many as 'RCR + 1' times. Even after TCP packet retransmissions are repeated 'RCR + 1' times, if there is no ACK from the peer, final timeout occurs and Sn\_SSR is changed to 'SOCK\_CLOSED' at the same time with Sn\_IR(TIMEOUT) = '1'

The value of final timeout (TCP<sub>TO</sub>) of TCP packet retransmission can be calculated as below,

$$\text{TCP}_{\text{TO}} = ( \sum_{N=0}^M (\text{RTR} \times 2^N) + ((\text{RCR}-M) \times \text{RTR}_{\text{MAX}}) ) \times 0.1\text{ms}$$

N : Retransmission count, 0 <= N <= M

M : Minimum value when  $\text{RTR} \times 2^{(M+1)} > 65535$  and 0 <= M <= RCR

RTR<sub>MAX</sub> :  $\text{RTR} \times 2^M$

Ex) When RTR = 2000(0x07D0), RCR = 8(0x0008),

ARP<sub>TO</sub> = 2000 X 0.1ms X 9 = 1800ms = 1.8s

$$\begin{aligned}
 TCP_{To} &= (0x07D0 + 0x0FA0 + 0x1F40 + 0x3E80 + 0x7D00 + 0xFA00 + 0xFA00 + 0xFA00 + 0xFA00) \times 0.1ms \\
 &= (2000 + 4000 + 8000 + 16000 + 32000 + ((8 - 4) \times 64000)) \times 0.1ms \\
 &= 318000 \times 0.1ms = 31.8s
 \end{aligned}$$

**PATR (Authentication Type in PPPoE mode) [R] [0xFE001C-0xFE001D] [0x0000]**

This register notifies the type of authentication used to establish the PPPoE connection.

W7100A supports two types of Authentication method - PAP and CHAP.

| Value  | Authentication Type |
|--------|---------------------|
| 0xC023 | PAP                 |
| 0xC223 | CHAP                |

**PPPALGO (Authentication Algorithm in PPPoE mode)[R][0xFE001E][0x00]**

This register notifies the authentication algorithm used for the PPPoE connection. For detail information, please refer to PPPoE application note.

**PTIMER (PPP Link Control Protocol Request Timer Register) [R/W] [0xFE0028] [0x28]**

This register indicates the duration of LCP Echo Request being sent. Value 1 is about 25ms.

Ex) in case that PTIMER is 200,

$$200 * 25(ms) = 5000(ms) = 5 \text{ seconds}$$

**PMAGIC (PPP Link Control Protocol Magic number Register) [R/W] [0xFE0029][0x00]**

This register is used in the Magic number option during LCP negotiation. Refer to the application note of W5100, "How to connect ADSL".

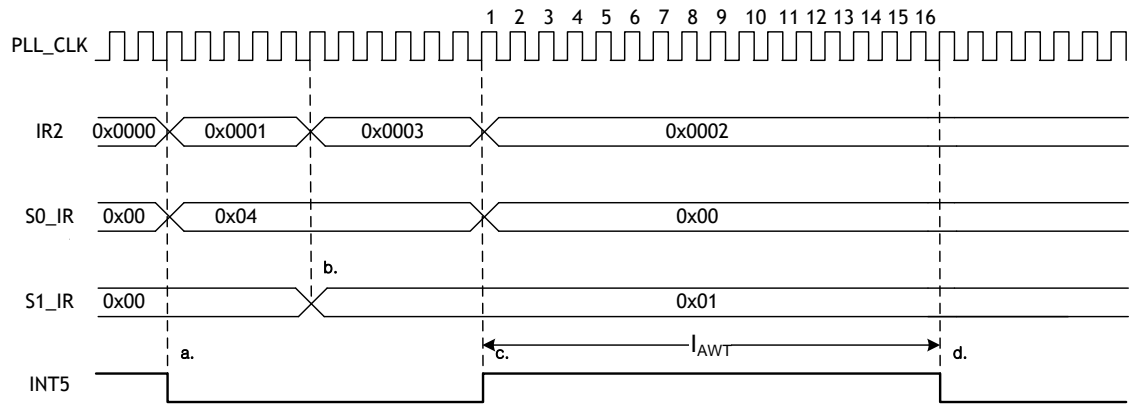
**VERSIONR (W7100A Chip Version Register)[R][0xFE001F][0x02]**

This register is W7100A chip version register.

**INTLEVEL (Interrupt Low Level Timer Register)[R/W][0xFE0030 - 0xFE0031][0x0000]**

The INTLEVEL register sets the Interrupt Assert wait time( $I_{AWT}$ ). It configures internal INT5 signal Low Assert waiting time until next interrupt. If user wants to use TCP/IP Core interrupt, **INTLEVEL register must be set higher than 0x2B00**. Or the TCP/IP Core interrupt can be ignored.

$$I_{AWT} = (INTLEVEL0 + 1) * PLL\_CLK \text{ (when INTLEVEL0 > 0)}$$



- At the socket 0, assume an interrupt occurs ( $S0\_IR(3) = '1'$ ) and corresponding IR2 bit is set as '1' ( $IR(S0\_IR) = '1'$ ). Then the internal INT5 signal is asserted low.
- Also assume an interrupt continually occurs ( $S1\_IR(0) = '1'$ ) on the socket1 and corresponding IR bit set as '1' ( $IR(S1\_IR) = '1'$ ).
- When the Host clears  $S0\_IR(S0\_IR = 0x00)$ , the corresponding IR2 bit is also cleared ( $IR(S0\_IR) = '0'$ ). Internal INT5 signal will be de-asserted high(deactivated) from low(activaed).
- When the  $S1\_IR$  is cleared, but the corresponding IR2 is not 0x00 because of socket1 interrupt, internal INT5 signal should be asserted low.

However, as INTLEVEL is 0x000F, the internal INT5 signal is asserted after the  $I_{AWT}(16 \text{ PLL\_CLK})$  time.

#### IR2 (W7100A SOCKET Interrupt Register)[R/W][0xFE0034][0x00]

IR2 is a Register which notifies the host that a W7100A SOCKET interrupt has occurred. When an interrupt occurs, the related bit in IR2 is enabled. In this case, the INT5 (nINT5: TCPIPCore interrupt) signal is asserted low until all of the bits of IR2 is '0'. Once the IR2 register is cleared out by using the  $S_n\_IR$  bits, the INT5 signal is asserted high.

|        |        |        |        |        |        |        |        |
|--------|--------|--------|--------|--------|--------|--------|--------|
| 7      | 6      | 5      | 4      | 3      | 2      | 1      | 0      |
| S7_INT | S6_INT | S5_INT | S4_INT | S3_INT | S2_INT | S1_INT | S0_INT |

| Bit | Symbol | Description                                                                                                                                                                                                               |
|-----|--------|---------------------------------------------------------------------------------------------------------------------------------------------------------------------------------------------------------------------------|
| 7   | S7_INT | <b>Occurrence of SOCKET 7 Interrupt</b><br>When an interrupt occurs at SOCKET 7, it becomes '1'. This interrupt information is applied to S7_IR. This bit is automatically cleared when S7_IR is cleared to 0x00 by host. |
| 6   | S6_INT | <b>Occurrence of SOCKET 6 Interrupt</b><br>When an interrupt occurs at SOCKET 6, it becomes '1'. This interrupt                                                                                                           |

|   |        |                                                                                                                                                                                                                           |
|---|--------|---------------------------------------------------------------------------------------------------------------------------------------------------------------------------------------------------------------------------|
|   |        | information is applied to S6_IR. This bit is automatically cleared when S6_IR is cleared to 0x00 by host.                                                                                                                 |
| 5 | S5_INT | <b>Occurrence of SOCKET 5 Interrupt</b><br>When an interrupt occurs at SOCKET 5, it becomes '1'. This interrupt information is applied to S5_IR. This bit is automatically cleared when S5_IR is cleared to 0x00 by host. |
| 4 | S4_INT | <b>Occurrence of SOCKET 4 Interrupt</b><br>When an interrupt occurs at SOCKET 4, it becomes '1'. This interrupt information is applied to S4_IR. This bit is automatically cleared when S4_IR is cleared to 0x00 by host. |
| 3 | S3_INT | <b>Occurrence of SOCKET 3 Interrupt</b><br>When an interrupt occurs at SOCKET 3, it becomes '1'. This interrupt information is applied to S3_IR. This bit is automatically cleared when S3_IR is cleared to 0x00 by host. |
| 2 | S2_INT | <b>Occurrence of SOCKET 2 Interrupt</b><br>When an interrupt occurs at SOCKET 2, it becomes '1'. This interrupt information is applied to S2_IR. This bit is automatically cleared when S2_IR is cleared to 0x00 by host. |
| 1 | S1_INT | <b>Occurrence of SOCKET 1 Interrupt</b><br>When an interrupt occurs at SOCKET 1, it becomes '1'. This interrupt information is applied to S1_IR. This bit is automatically cleared when S1_IR is cleared to 0x00 by host. |
| 0 | S0_INT | <b>Occurrence of SOCKET 0 Interrupt</b><br>When an interrupt occurs at SOCKET 0, it becomes '0'. This interrupt information is applied to S0_IR. This bit is automatically cleared when S0_IR is cleared to 0x00 by host. |

### 8.3.2 SOCKET Registers

**Sn\_MR (SOCKET n Mode Register)[R/W][0xFE4000 + 0x100n][0x0000]**

This register configures the protocol type or option of SOCKET *n*.

|       |   |         |   |    |    |    |    |
|-------|---|---------|---|----|----|----|----|
| 7     | 6 | 5       | 4 | 3  | 2  | 1  | 0  |
| MULTI |   | ND / MC |   | P3 | P2 | P1 | P0 |

| Bit | Symbol | Description                                                                |
|-----|--------|----------------------------------------------------------------------------|
| 7   | MULTI  | <b>Multicasting</b><br>0 : disable Multicasting<br>1 : enable Multicasting |

|              |          | <p>This only applies to UDP case(P3-P0 : “0010”)</p> <p>To use multicasting, write multicast group address and port number to SOCKET <i>n</i> destination IP and port register respectively before using the OPEN command.</p>                                                                                                                                                                                                                                                                                                                                                                                                                                                                                                                                                                                 |        |    |         |    |    |         |             |   |   |   |   |        |           |   |   |   |   |     |           |   |   |   |   |     |             |   |   |   |   |       |              |   |   |   |   |         |             |   |   |   |   |       |
|--------------|----------|----------------------------------------------------------------------------------------------------------------------------------------------------------------------------------------------------------------------------------------------------------------------------------------------------------------------------------------------------------------------------------------------------------------------------------------------------------------------------------------------------------------------------------------------------------------------------------------------------------------------------------------------------------------------------------------------------------------------------------------------------------------------------------------------------------------|--------|----|---------|----|----|---------|-------------|---|---|---|---|--------|-----------|---|---|---|---|-----|-----------|---|---|---|---|-----|-------------|---|---|---|---|-------|--------------|---|---|---|---|---------|-------------|---|---|---|---|-------|
| 6            | MF       | <p>MAC Filter</p> <p>0: disable MAC filtering<br/>1: enable MAC filtering</p> <p>Filters the MAC addresses except own MAC and broadcasting MAC address.</p>                                                                                                                                                                                                                                                                                                                                                                                                                                                                                                                                                                                                                                                    |        |    |         |    |    |         |             |   |   |   |   |        |           |   |   |   |   |     |           |   |   |   |   |     |             |   |   |   |   |       |              |   |   |   |   |         |             |   |   |   |   |       |
| 5            | ND/MC    | <p><b>Use No Delayed ACK</b></p> <p>0 : Disable No Delayed ACK option<br/>1 : Enable No Delayed ACK option,</p> <p>This only applies to TCP case (P3-P0 : “0001”)</p> <p>If this bit is set as ‘1’, ACK packet is immediately transmitted after receiving data packet from a peer. If this bit is cleared, ACK packet is transmitted according to internal timeout mechanism.</p> <p><b>Multicast</b></p> <p>0 : using IGMP version 2<br/>1 : using IGMP version 1</p> <p>This bit is valid when MULTI bit is enabled and UDP mode is used (P3-P0 : “0010”).</p> <p>In addition, multicast can be used to send out the version number in IGMP messages such as Join/Leave/Report to multicast-group</p>                                                                                                        |        |    |         |    |    |         |             |   |   |   |   |        |           |   |   |   |   |     |           |   |   |   |   |     |             |   |   |   |   |       |              |   |   |   |   |         |             |   |   |   |   |       |
| 4            | Reserved | Reserved                                                                                                                                                                                                                                                                                                                                                                                                                                                                                                                                                                                                                                                                                                                                                                                                       |        |    |         |    |    |         |             |   |   |   |   |        |           |   |   |   |   |     |           |   |   |   |   |     |             |   |   |   |   |       |              |   |   |   |   |         |             |   |   |   |   |       |
| 3            | P3       | <p><b>Protocol</b></p> <p>Sets up corresponding SOCKET as TCP, UDP, or IP RAW mode</p> <table border="1"> <thead> <tr> <th>Symbol</th> <th>P3</th> <th>P2</th> <th>P1</th> <th>P0</th> <th>Meaning</th> </tr> </thead> <tbody> <tr> <td>Sn_MR_CLOSE</td> <td>0</td> <td>0</td> <td>0</td> <td>0</td> <td>Closed</td> </tr> <tr> <td>Sn_MR_TCP</td> <td>0</td> <td>0</td> <td>0</td> <td>1</td> <td>TCP</td> </tr> <tr> <td>Sn_MR_UDP</td> <td>0</td> <td>0</td> <td>1</td> <td>0</td> <td>UDP</td> </tr> <tr> <td>Sn_MR_IPRAW</td> <td>0</td> <td>0</td> <td>1</td> <td>1</td> <td>IPRAW</td> </tr> <tr> <td>S0_MR_MACRAW</td> <td>0</td> <td>1</td> <td>0</td> <td>0</td> <td>MAC RAW</td> </tr> <tr> <td>S0_MR_PPPOE</td> <td>0</td> <td>1</td> <td>0</td> <td>1</td> <td>PPPoE</td> </tr> </tbody> </table> | Symbol | P3 | P2      | P1 | P0 | Meaning | Sn_MR_CLOSE | 0 | 0 | 0 | 0 | Closed | Sn_MR_TCP | 0 | 0 | 0 | 1 | TCP | Sn_MR_UDP | 0 | 0 | 1 | 0 | UDP | Sn_MR_IPRAW | 0 | 0 | 1 | 1 | IPRAW | S0_MR_MACRAW | 0 | 1 | 0 | 0 | MAC RAW | S0_MR_PPPOE | 0 | 1 | 0 | 1 | PPPoE |
| Symbol       | P3       | P2                                                                                                                                                                                                                                                                                                                                                                                                                                                                                                                                                                                                                                                                                                                                                                                                             | P1     | P0 | Meaning |    |    |         |             |   |   |   |   |        |           |   |   |   |   |     |           |   |   |   |   |     |             |   |   |   |   |       |              |   |   |   |   |         |             |   |   |   |   |       |
| Sn_MR_CLOSE  | 0        | 0                                                                                                                                                                                                                                                                                                                                                                                                                                                                                                                                                                                                                                                                                                                                                                                                              | 0      | 0  | Closed  |    |    |         |             |   |   |   |   |        |           |   |   |   |   |     |           |   |   |   |   |     |             |   |   |   |   |       |              |   |   |   |   |         |             |   |   |   |   |       |
| Sn_MR_TCP    | 0        | 0                                                                                                                                                                                                                                                                                                                                                                                                                                                                                                                                                                                                                                                                                                                                                                                                              | 0      | 1  | TCP     |    |    |         |             |   |   |   |   |        |           |   |   |   |   |     |           |   |   |   |   |     |             |   |   |   |   |       |              |   |   |   |   |         |             |   |   |   |   |       |
| Sn_MR_UDP    | 0        | 0                                                                                                                                                                                                                                                                                                                                                                                                                                                                                                                                                                                                                                                                                                                                                                                                              | 1      | 0  | UDP     |    |    |         |             |   |   |   |   |        |           |   |   |   |   |     |           |   |   |   |   |     |             |   |   |   |   |       |              |   |   |   |   |         |             |   |   |   |   |       |
| Sn_MR_IPRAW  | 0        | 0                                                                                                                                                                                                                                                                                                                                                                                                                                                                                                                                                                                                                                                                                                                                                                                                              | 1      | 1  | IPRAW   |    |    |         |             |   |   |   |   |        |           |   |   |   |   |     |           |   |   |   |   |     |             |   |   |   |   |       |              |   |   |   |   |         |             |   |   |   |   |       |
| S0_MR_MACRAW | 0        | 1                                                                                                                                                                                                                                                                                                                                                                                                                                                                                                                                                                                                                                                                                                                                                                                                              | 0      | 0  | MAC RAW |    |    |         |             |   |   |   |   |        |           |   |   |   |   |     |           |   |   |   |   |     |             |   |   |   |   |       |              |   |   |   |   |         |             |   |   |   |   |       |
| S0_MR_PPPOE  | 0        | 1                                                                                                                                                                                                                                                                                                                                                                                                                                                                                                                                                                                                                                                                                                                                                                                                              | 0      | 1  | PPPoE   |    |    |         |             |   |   |   |   |        |           |   |   |   |   |     |           |   |   |   |   |     |             |   |   |   |   |       |              |   |   |   |   |         |             |   |   |   |   |       |
| 2            | P2       |                                                                                                                                                                                                                                                                                                                                                                                                                                                                                                                                                                                                                                                                                                                                                                                                                |        |    |         |    |    |         |             |   |   |   |   |        |           |   |   |   |   |     |           |   |   |   |   |     |             |   |   |   |   |       |              |   |   |   |   |         |             |   |   |   |   |       |
| 1            | P1       |                                                                                                                                                                                                                                                                                                                                                                                                                                                                                                                                                                                                                                                                                                                                                                                                                |        |    |         |    |    |         |             |   |   |   |   |        |           |   |   |   |   |     |           |   |   |   |   |     |             |   |   |   |   |       |              |   |   |   |   |         |             |   |   |   |   |       |
| 0            | P0       | <p>S0_MR_MACRAW and S0_MR_PPPOE are valid only in SOCKET 0.</p> <p>S0_MR_PPPOE is temporarily used for PPPoE server connection/Termination.</p> <p>After connection is established, it can be utilized as another protocol.</p>                                                                                                                                                                                                                                                                                                                                                                                                                                                                                                                                                                                |        |    |         |    |    |         |             |   |   |   |   |        |           |   |   |   |   |     |           |   |   |   |   |     |             |   |   |   |   |       |              |   |   |   |   |         |             |   |   |   |   |       |

### Sn\_CR (SOCKET *n* Command Register)[R/W][0xFE4001 + 0x100n][0x00]

This is used to set the command for SOCKET *n* such as OPEN, CLOSE, CONNECT, LISTEN, SEND, and RECEIVE. After W7100A identifies the command, the Sn\_CR register is automatically cleared to 0x00. Even though Sn\_CR is cleared to 0x00, the command is still being processed. To verify whether the command is completed or not, please check the Sn\_IR or Sn\_SR registers.

| Value              | Symbol            | Description                                                                                                                                                                                                                                                                                                                                                                                                                                                                                                                                                                                                                                                                                                                                                                            |              |       |                   |   |                 |                 |                 |                |                   |                  |                    |                   |                  |                 |
|--------------------|-------------------|----------------------------------------------------------------------------------------------------------------------------------------------------------------------------------------------------------------------------------------------------------------------------------------------------------------------------------------------------------------------------------------------------------------------------------------------------------------------------------------------------------------------------------------------------------------------------------------------------------------------------------------------------------------------------------------------------------------------------------------------------------------------------------------|--------------|-------|-------------------|---|-----------------|-----------------|-----------------|----------------|-------------------|------------------|--------------------|-------------------|------------------|-----------------|
| 0x01               | OPEN              | <p>SOCKET <i>n</i> is initialized and opened according to the protocol selected in Sn_MR (P3:P0). The table below shows the value of Sn_SR corresponding to Sn_MR</p> <table border="1" style="margin-left: 40px;"> <thead> <tr> <th>Sn_MR(P3:P0)</th> <th>Sn_SR</th> </tr> </thead> <tbody> <tr> <td>Sn_MR_CLOSE(0x00)</td> <td>-</td> </tr> <tr> <td>Sn_MR_TCP(0x01)</td> <td>SOCK_INIT(0x13)</td> </tr> <tr> <td>Sn_MR_UDP(0x02)</td> <td>SOCK_UDP(0x22)</td> </tr> <tr> <td>Sn_MR_IPRAW(0x03)</td> <td>SOCK_IPRAW(0x32)</td> </tr> <tr> <td>SO_MR_MACRAW(0x04)</td> <td>SOCK_MACRAW(0x42)</td> </tr> <tr> <td>SO_MR_PPPE(0x05)</td> <td>SOCK_PPPE(0x5F)</td> </tr> </tbody> </table>                                                                                               | Sn_MR(P3:P0) | Sn_SR | Sn_MR_CLOSE(0x00) | - | Sn_MR_TCP(0x01) | SOCK_INIT(0x13) | Sn_MR_UDP(0x02) | SOCK_UDP(0x22) | Sn_MR_IPRAW(0x03) | SOCK_IPRAW(0x32) | SO_MR_MACRAW(0x04) | SOCK_MACRAW(0x42) | SO_MR_PPPE(0x05) | SOCK_PPPE(0x5F) |
| Sn_MR(P3:P0)       | Sn_SR             |                                                                                                                                                                                                                                                                                                                                                                                                                                                                                                                                                                                                                                                                                                                                                                                        |              |       |                   |   |                 |                 |                 |                |                   |                  |                    |                   |                  |                 |
| Sn_MR_CLOSE(0x00)  | -                 |                                                                                                                                                                                                                                                                                                                                                                                                                                                                                                                                                                                                                                                                                                                                                                                        |              |       |                   |   |                 |                 |                 |                |                   |                  |                    |                   |                  |                 |
| Sn_MR_TCP(0x01)    | SOCK_INIT(0x13)   |                                                                                                                                                                                                                                                                                                                                                                                                                                                                                                                                                                                                                                                                                                                                                                                        |              |       |                   |   |                 |                 |                 |                |                   |                  |                    |                   |                  |                 |
| Sn_MR_UDP(0x02)    | SOCK_UDP(0x22)    |                                                                                                                                                                                                                                                                                                                                                                                                                                                                                                                                                                                                                                                                                                                                                                                        |              |       |                   |   |                 |                 |                 |                |                   |                  |                    |                   |                  |                 |
| Sn_MR_IPRAW(0x03)  | SOCK_IPRAW(0x32)  |                                                                                                                                                                                                                                                                                                                                                                                                                                                                                                                                                                                                                                                                                                                                                                                        |              |       |                   |   |                 |                 |                 |                |                   |                  |                    |                   |                  |                 |
| SO_MR_MACRAW(0x04) | SOCK_MACRAW(0x42) |                                                                                                                                                                                                                                                                                                                                                                                                                                                                                                                                                                                                                                                                                                                                                                                        |              |       |                   |   |                 |                 |                 |                |                   |                  |                    |                   |                  |                 |
| SO_MR_PPPE(0x05)   | SOCK_PPPE(0x5F)   |                                                                                                                                                                                                                                                                                                                                                                                                                                                                                                                                                                                                                                                                                                                                                                                        |              |       |                   |   |                 |                 |                 |                |                   |                  |                    |                   |                  |                 |
| 0x02               | LISTEN            | <p>This is valid only in TCP mode (Sn_MR(P3:P0) = Sn_MR_TCP).<br/>           In this mode, the SOCKET <i>n</i> is configured as a TCP server which is waiting for connection-request (SYN packet) from any "TCP CLIENT". The Sn_SR register changes the state from SOCK_INIT to SOCKET_LISTEN.<br/>           When a client's connection request is successfully established, the Sn_SR changes from SOCK_LISTEN to SOCK_ESTABLISHED and the Sn_IR(0) becomes '1'. On the other hand, Sn_IR(3) is set as '1' and Sn_SR changes to SOCK_CLOSED during a connection failure(SYN/ACK packet failed to transfer)<br/>           cf&gt; If the destination port of the TCP Client does not exist during a connection request, W7100A will transmit a RST packet and Sn_SR is unchanged.</p> |              |       |                   |   |                 |                 |                 |                |                   |                  |                    |                   |                  |                 |
| 0x04               | CONNECT           | <p>This mode is only valid in TCP mode and operates the SOCKET <i>n</i> as a TCP client.<br/>           A connect-request (SYN packet) is sent to the TCP server by connecting to the IP address and port stored in destination address and port registers (Sn_DIPRO and Sn_DPORT0)<br/>           When a client's connection request is successfully established, the</p>                                                                                                                                                                                                                                                                                                                                                                                                             |              |       |                   |   |                 |                 |                 |                |                   |                  |                    |                   |                  |                 |

|      |           |                                                                                                                                                                                                                                                                                                                                                                                                                                                                                                                                                                                                                                                                                                                                                                                                                           |
|------|-----------|---------------------------------------------------------------------------------------------------------------------------------------------------------------------------------------------------------------------------------------------------------------------------------------------------------------------------------------------------------------------------------------------------------------------------------------------------------------------------------------------------------------------------------------------------------------------------------------------------------------------------------------------------------------------------------------------------------------------------------------------------------------------------------------------------------------------------|
|      |           | <p>Sn_SR register is changed to SOCK_ESTABLISHED and the Sn_IR(0) becomes '1'.</p> <p>In the following cases, the connect-request fails</p> <ul style="list-style-type: none"> <li>- When a ARP timeout occurs (Sn_IR(s)='1') because the Destination Hardware Address is not acquired through the ARP process</li> <li>- When a SYN/ACK packet is not received and TCP timeout (Sn_IR(3)) is '1'</li> <li>- When a RST packet is received instead of a SYN/ACK packet</li> </ul> <p>Above three cases, Sn_SR is changed to SOCK_CLOSED.</p>                                                                                                                                                                                                                                                                              |
| 0x08 | DISCON    | <p>Only valid in TCP mode</p> <p>Regardless of "TCP SERVER" or "TCP CLIENT", this disconnect the process</p> <ul style="list-style-type: none"> <li>- Active close : it transmits disconnect-request(FIN packet) to the connected peer</li> <li>- Passive close : When FIN packet is received from peer, a FIN packet is replied back to the peer</li> </ul> <p>when FIN/ACK packet is received, Sn_SR is changed to SOCK_CLOSED.</p> <p>When a disconnect request is not received, TCP<sub>TO</sub> occurs (Sn_IR(3)='1') and Sn_SR is changed to SOCK_CLOSED.</p> <p>cf&gt; If CLOSE is used instead of DISCON, only Sn_SR is changed to SOCK_CLOSED without disconnect-process(disconnect-request). If a RST packet is received from a peer during communication, Sn_SR is unconditionally changed to SOCK_CLOSED.</p> |
| 0x10 | CLOSE     | <p>Closes SOCKET <i>n</i>.</p> <p>Sn_SR is changed to SOCK_CLOSED.</p>                                                                                                                                                                                                                                                                                                                                                                                                                                                                                                                                                                                                                                                                                                                                                    |
| 0x20 | SEND      | <p>SEND command transmits remained (not transmitted) data buffered in the TX memory. For more details, please refer to SOCKET <i>n</i> TX Free Size Register (Sn_TX_FSR), SOCKET <i>n</i> TX Write Pointer Register(Sn_TX_WR), and SOCKET <i>n</i> TX Read Pointer Register(Sn_TX_RD).</p>                                                                                                                                                                                                                                                                                                                                                                                                                                                                                                                                |
| 0x21 | SEND_MAC  | <p>Used in UDP mode only</p> <p>The basic operation is same as SEND. Normally SEND operation needs Destination Hardware Address which can be retrieved by the ARP (Address Resolution Protocol) process. SEND_MAC uses SOCKET <i>n</i> Destination Hardware Address(Sn_DHAR) that is chosen by the user without going through the ARP process.</p>                                                                                                                                                                                                                                                                                                                                                                                                                                                                        |
| 0x22 | SEND_KEEP | <p>Used in TCP mode</p>                                                                                                                                                                                                                                                                                                                                                                                                                                                                                                                                                                                                                                                                                                                                                                                                   |

|      |      |                                                                                                                                                                                                                                                                                                                                    |
|------|------|------------------------------------------------------------------------------------------------------------------------------------------------------------------------------------------------------------------------------------------------------------------------------------------------------------------------------------|
|      |      | It checks the connection status by sending the keep alive packet. If the connection has no response from peers or is terminated, the Timeout interrupt will occur.                                                                                                                                                                 |
| 0x40 | RECV | RECV processes the data received by using a RX read pointer register(Sn_RX_RD).<br>For more detail, please refer to 9.2.1.1 SERVER mode Receiving Process with SOCKET <i>n</i> RX Received Size Register (Sn_RX_RSR), SOCKET <i>n</i> RX Write Pointer Register(Sn_RX_WR), and SOCKET <i>n</i> RX Read Pointer Register(Sn_RX_RD). |

Below commands are only valid for SOCKET 0 and S0\_MR(P3:P0) = S0\_MR\_PPPoE.

For more detail refer to the W5100 application note “How to use ADSL”.

| Value | Symbol  | Description                                                   |
|-------|---------|---------------------------------------------------------------|
| 0x23  | PCON    | ADSL connection begins by transmitting PPPoE Discovery Packet |
| 0x24  | PDISCON | Closes ADSL connection                                        |
| 0x25  | PCR     | In each phase, it transmits REQ message                       |
| 0x26  | PCN     | In each phase, it transmits NAK message                       |
| 0x27  | PCJ     | In each phase, it transmits REJECT message                    |

#### Sn\_IR (SOCKET *n* Interrupt Register)[R/W][0xFE4002 + 0x100n][0x00]

Sn\_IR register provides information such as the type of interrupt (establishment, termination, receiving data, timeout) used in SOCKET *n*. When an interrupt occurs and the mask bit of Sn\_IMR is ‘1’, the interrupt bit of Sn\_IR becomes ‘1’.

In order to clear the Sn\_IR bit, the host should write the bit as ‘1’. When all the bits of Sn\_IR is cleared (‘0’), IR(*n*) is automatically cleared. It occurs the INT5 signal (nINT5: TCPIPCore interrupt) to MCU.

|       |       |       |         |         |      |        |     |
|-------|-------|-------|---------|---------|------|--------|-----|
| 7     | 6     | 5     | 4       | 3       | 2    | 1      | 0   |
| PRECV | PFAIL | PNEXT | SEND_OK | TIMEOUT | RECV | DISCON | CON |

| Bit | Symbol | Description                                                                        |
|-----|--------|------------------------------------------------------------------------------------|
| 7   | PRECV  | PPP Receive Interrupt, when the option which is not supported is received          |
| 6   | PFAIL  | PPP Fail Interrupt, when PAP Authentication is failed                              |
| 5   | PNEXT  | PPP Next Phase Interrupt, when the phase is changed during ADSL connection process |
| 4   | SENDOK | SEND OK Interrupt, when the SEND command is completed                              |



|   |         |                                                                                            |
|---|---------|--------------------------------------------------------------------------------------------|
| 3 | TIMEOUT | TIMEOUT Interrupt, when ARP timeout or TCP timeout occurs                                  |
| 2 | RECV    | Receive Interrupt, whenever data packet is received from a peer                            |
| 1 | DISCON  | Disconnect Interrupt, when FIN of FIN/ACK packet is received from a peer                   |
| 0 | CON     | Connect Interrupt occurs only one time when changing the SOCKET status to SOCK_Established |

### Sn\_IMR (SOCKET *n* Interrupt Mask Register)[R/W][0xFE402C + 0x100n][0xFF]

It configures the interrupt of SOCKET *n* so as to notify to the host. Interrupt mask bit of Sn\_IMR corresponds to interrupt bit of Sn\_IR. If interrupt occurs in any SOCKET and the bit is set as '1', its corresponding bit of Sn\_IR is set as '1'. When the bits of Sn\_IMR and Sn\_IR are '1', IR(*n*) becomes '1'. At this time, if IMR(*n*) is '1', the interrupt is issued to the host. ('/INT' signal is asserted low)

|       |       |       |         |         |      |        |     |
|-------|-------|-------|---------|---------|------|--------|-----|
| 7     | 6     | 5     | 4       | 3       | 2    | 1      | 0   |
| PRECV | PFAIL | PNEXT | SEND_OK | TIMEOUT | RECV | DISCON | CON |

| Bit | Symbol  | Description                                                                                      |
|-----|---------|--------------------------------------------------------------------------------------------------|
| 7   | PRECV   | Sn_IR(PRECV) Interrupt Mask<br>Valid only in case of 'SOCKET = 0' & 'SO_MR(P3:P0) = SO_MR_PPPoE' |
| 6   | PFAIL   | Sn_IR(PFAIL) Interrupt Mask<br>Valid only in case of 'SOCKET = 0' & 'SO_MR(P3:P0) = SO_MR_PPPoE' |
| 5   | PNEXT   | Sn_IR(PNEXT) Interrupt Mask<br>Valid only in case of 'SOCKET = 0' & 'SO_MR(P3:P0) = SO_MR_PPPoE' |
| 4   | SENDOK  | Sn_IR(SENDOK) Interrupt Mask                                                                     |
| 3   | TIMEOUT | Sn_IR(TIMEOUT) Interrupt Mask                                                                    |
| 2   | RECV    | Sn_IR(RECV) Interrupt Mask                                                                       |
| 1   | DISCON  | Sn_IR(DISCON) Interrupt Mask                                                                     |
| 0   | CON     | Sn_IR(CON) Interrupt Mask                                                                        |

### Sn\_SR (SOCKET *n* Status Register)[R][0xFE4003 + 0x100n][0x00]

This register provides the status of SOCKET *n*. SOCKET status are changed when using the Sn\_CR register or during packet transmission/reception.

The table below describes the different states of SOCKET *n*

| Value | Symbol      | Description                                                                                                                                              |
|-------|-------------|----------------------------------------------------------------------------------------------------------------------------------------------------------|
| 0x00  | SOCK_CLOSED | When DISCON or CLOSE command is used, or ARP <sub>TO</sub> , or TCP <sub>TO</sub> occurs, the state changes to SOCK_CLOSED regardless of previous value. |

|      |                  |                                                                                                                                                                                                                                                                                                                                                                                                                       |
|------|------------------|-----------------------------------------------------------------------------------------------------------------------------------------------------------------------------------------------------------------------------------------------------------------------------------------------------------------------------------------------------------------------------------------------------------------------|
| 0x13 | SOCK_INIT        | In this state, the SOCKET <i>n</i> is opened in TCP mode and initialized the first step of TCP connection establishment. Now, the user can use the LISTEN and CONNECT commands. When Sn_MR(P3:P0) is Sn_MR_TCP and the OPEN command is used, the stage changes to SOCK_INIT.                                                                                                                                          |
| 0x14 | SOCK_LISTEN      | SOCKET <i>n</i> operates in TCP Server Mode and waits for a connection-request (SYN packet) from a “TCP CLIENT”. When the LISTEN command is used, the stage changes to SOCK_LISTEN<br><br>Once the connection is established, the SOCKET state changes from SOCK_LISTEN to SOCK_ESTABLISHED; however, if the connection fails, TCP <sub>TO</sub> occurs (Sn_IR(TIME_OUT) = ‘1’) and the state changes to SOCK_CLOSED. |
| 0x17 | SOCK_ESTABLISHED | When a SYN packet is received from a TCP client, the socket changes from the SOCK_LISTEN or CONNECTS state to the SOCK_ESTABLISHED state. At this stage, DATA packets can be exchanged by using the SEND or RECV command.                                                                                                                                                                                             |
| 0x1C | SOCK_CLOSE_WAIT  | In this case, a disconnect-request (FIN packet) is received from a peer. Although the TCP connection is half-closed, data packet can still be transferred. In order to complete the TCP disconnection, the DISCON command should be used. When a socket is closed without going through the disconnection-process, the CLOSE command should be used.                                                                  |
| 0x22 | SOCK_UDP         | The socket is opened in UDP mode. The SOCKET status is changed to SOCK_UDP when Sn_MR(P3:P0) is Sn_MR_UDP and OPEN command is used. Unlike TCP mode, the SOCKET in UDP mode can transfer data without establishing a connection (3 way handshake)                                                                                                                                                                     |
| 0x32 | SOCK_IPRAW       | The socket is opened in IPRAW mode. The SOCKET status is change to SOCK_IPRAW when Sn_MR(P3:P0) is Sn_MR_IPRAW and OPEN command is used. IP Packet can be transferred without a connection similar to the UDP mode.                                                                                                                                                                                                   |
| 0x42 | SOCK_MACRAW      | SOCKET0 is opened in MACRAW mode. The SOCKET status is change to SOCK_MACRAW when S0_IMR(P3:P0) is S0_MR_MACRAW and S0_CR = OPEN. MAC packet(Ethernet frame) can be transferred similar to UDP mode.                                                                                                                                                                                                                  |
| 0x5F | SOCK_PPPOE       | SOCKET 0 is opened in PPPoE mode. The SOCKET status is                                                                                                                                                                                                                                                                                                                                                                |

|  |  |                                                                         |
|--|--|-------------------------------------------------------------------------|
|  |  | changed to SOCK_PPpOE when SO_MR(P3:P0) = SO_MR_PPpOE and SO_CR = OPEN. |
|--|--|-------------------------------------------------------------------------|

Below table shows the temporary status which can be observed when changing the Sn\_SR.

| Value | Symbol         | Description                                                                                                                                                                                                                                                                                                                                                                                                                                                                                                                                                                                                                                                                        |
|-------|----------------|------------------------------------------------------------------------------------------------------------------------------------------------------------------------------------------------------------------------------------------------------------------------------------------------------------------------------------------------------------------------------------------------------------------------------------------------------------------------------------------------------------------------------------------------------------------------------------------------------------------------------------------------------------------------------------|
| 0x15  | SOCK_SYnSENT   | This status indicates that a connect-request(SYN packet) is sent to a "TCP SERVER".<br>SYnSENT is an intermediate state between SOCK_INT and SOCK_ESTABLISHED. If connect-accept(SYN/ACK packet) is received from a "TCP SERVER", the SOCKET status automatically changes to SOCK_ESTABLISHED. However, if SYN/ACK packet is not received before TCP timeout occurs (Sn_IR(TIMEOUT)='1'), the status is changed to SOCK_CLOSED.                                                                                                                                                                                                                                                    |
| 0x16  | SOCK_SYnRECV   | This status indicate that a connect-request(SYN packet) is received from a "TCP CLIENT".<br>The socket status changes to SOCK_ESTABLISHED when W7100A successfully transmits connect-accept (SYN/ACK packet) to a "TCP CLIENT". If W7100A fails to send and TCP <sub>TO</sub> occurs (Sn_IR(TIMEOUT)='1'), the status is changed to SOCK_CLOSED.                                                                                                                                                                                                                                                                                                                                   |
| 0x18  | SOCK_FIN_WAIT  | These statuses show the process of terminating a connection. If the termination succeeds or Timeout interrupt is asserted, the socket status is changed to SOCK_CLOSED.                                                                                                                                                                                                                                                                                                                                                                                                                                                                                                            |
| 0x1A  | SOCK_CLOSING   |                                                                                                                                                                                                                                                                                                                                                                                                                                                                                                                                                                                                                                                                                    |
| 0x1B  | SOCK_TIME_WAIT |                                                                                                                                                                                                                                                                                                                                                                                                                                                                                                                                                                                                                                                                                    |
| 0x1D  | SOCK_LAST_ACK  |                                                                                                                                                                                                                                                                                                                                                                                                                                                                                                                                                                                                                                                                                    |
| 0x01  | SOCK_ARP       | This status indicates an ARP-request is being transmitted to a peer in order to acquire destination hardware address.<br>It appears when the SEND command is used in UDP, IP RAW, and TCP mode, the socket status changes to SOCK_ARP.<br>If the hardware address is successfully acquired from the destination (ARP-response is received), the socket status changes to SOCK_UDP, SOCK_IPRAW or SOCK_SYnSENT.<br>On the other hand, when W7100A fails to acquire the hardware address and an ARP timeout occurs (Sn_IR(TIMEOUT)= '1'), the socket status returns to the previous state in UDP mode and IP RAW mode. In TCP mode, the socket status goes to the SOCK_CLOSED state. |

|  |                                                                                                                                                        |
|--|--------------------------------------------------------------------------------------------------------------------------------------------------------|
|  | <p>cf&gt; In UDP and IP RAW mode, the Sn_DIPR register compares the previous and current values. ARP is only used if the two values are different.</p> |
|--|--------------------------------------------------------------------------------------------------------------------------------------------------------|

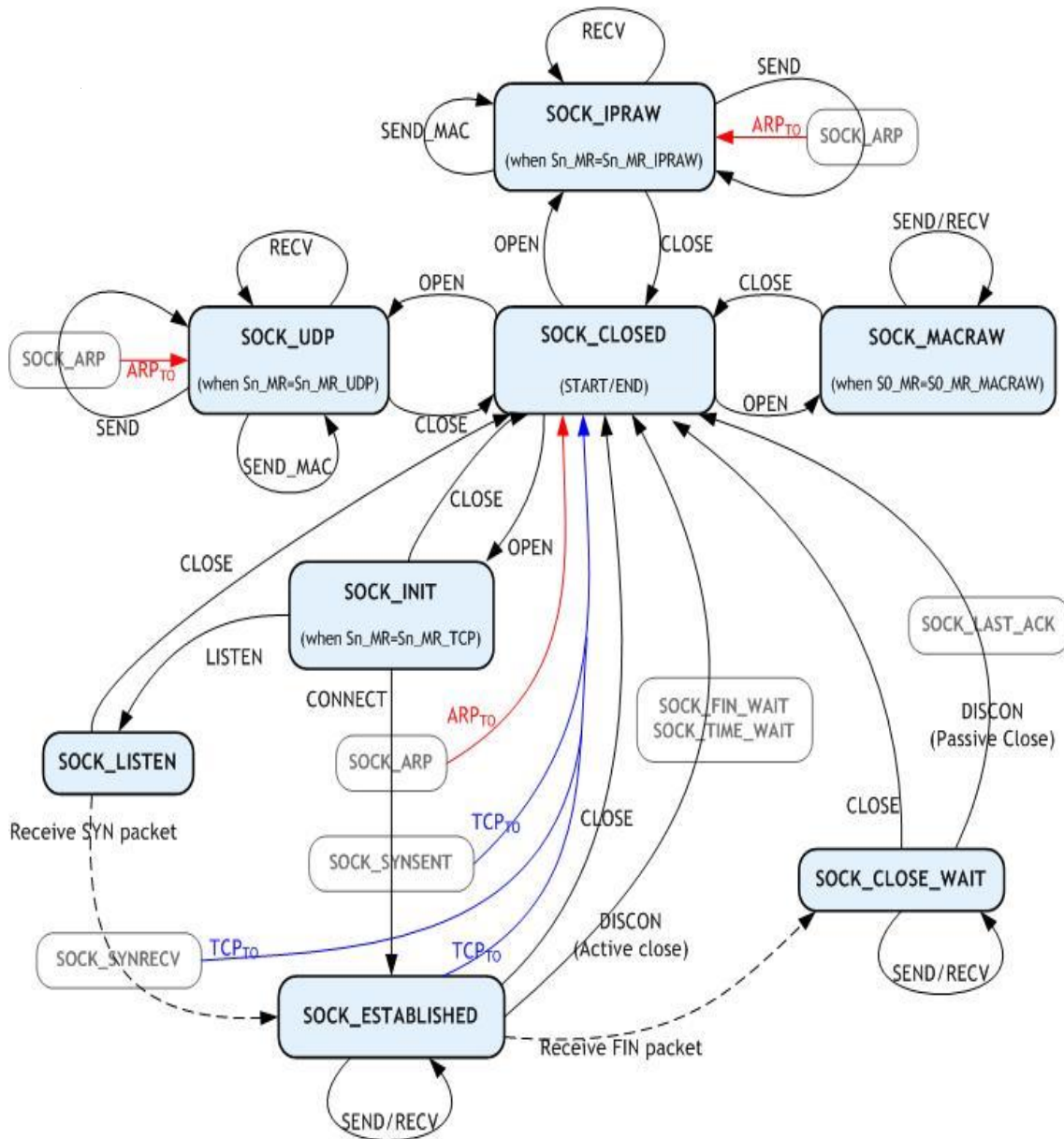


Figure 8.2 SOCKET *n* Status transition

**Sn\_PORT (SOCKET *n* Source Port Register)[R/W][(0xFE4004 + 0x100n) - (0xFE4005 + 0x100n)][0x0000]**

It sets source port number.

It is valid when SOCKET *n* is used as TCP or UDP mode, and ignored when used as other modes.

It should be set before OPEN command.

Ex) In case of SOCKET 0 port = 5000(0x1388), configure as below,

|          |          |
|----------|----------|
| 0xFE4004 | 0xFE4005 |
| 0x13     | 0x88     |

**Sn\_DHAR (SOCKET *n* Destination Hardware Address Register)[R/W][(0xFE4006 + 0x100n) - (0xFE400B + 0x100n)][FF.FF.FF.FF.FF]**

It sets or is set as destination hardware address of SOCKET *n*. Also, if SOCKET 0 is used for PPPoE mode, S0\_DHAR sets as PPPoE server hardware an address that is already known.

When using SEND\_MAC command at the UDP or IPRAW mode, it sets the destination hardware address of SOCKET *n*. At the TCP, UDP and IPRAW mode, Sn\_DHAR is set as destination hardware address that is acquired by ARP-process of CONNECT or SEND command. The host can acquire the destination hardware address through Sn\_DHAR after successfully performing CONNET or SEND command.

When using PPPoE-process of W7100A, PPPoE server hardware address is not required to be set.

However, even if PPPoE-process of W7100A is not used, but implemented by yourself with MACRAW mode, in order to transmit or receive the PPPoE packet, PPPoE server hardware address(acquired by your PPPoE-process), PPPoE server IP address, and PPP session ID should be set, and MR(PPPoE) also should be set as '1'.

S0\_DHAR sets the PPPoE server hardware address before the OPEN command. PPPoE server hardware address which is set by S0\_DHAR is applied to PDHAR after performing the OPEN command. The configured PPPoE information is internally valid even after the CLOSE command.

EX) In case of SOCKET 0 Destination Hardware address = 00.08.DC.01.02.10, configuration is as below,

|          |          |          |          |          |          |
|----------|----------|----------|----------|----------|----------|
| 0xFE4006 | 0xFE4007 | 0xFE4008 | 0xFE4009 | 0xFE400A | 0xFE400B |
| 0x00     | 0x08     | 0xDC     | 0x01     | 0x02     | 0x10     |

**Sn\_DIPR (SOCKET *n* Destination IP Address Register)[R/W][(0xFE400C + 0x100n) - (0xFE400F + 0x100n)][00.00.00.00]**

It sets or is set as destination IP address of SOCKET *n*. If SOCKET 0 is used as PPPoE mode, S0\_DIPR0 sets PPPoE server with an IP address that is already known.

It is valid only in TCP, UDP, IPRAW or PPPoE mode, but ignored in MACRAW mode.

In the TCP mode, when operating as "TCP CLIENT" it sets the IP address of the "TCP SERVER" before performing the CONNECT command and when operating as "TCP SERVER", it internally sets the IP address of the "TCP CLIENT" after successfully establishing connection.

In UDP or IPRAW mode, set the destination IP address in the Sn\_DIPR for transmitting UDP or IPRAW DATA packets before performing SEND or SEND\_MAC command. At the PPPoE mode, S0\_DIPR sets as PPPoE server IP address that is already known.

Ex) In case of SOCKET 0 Destination IP address = 192.168.0.11, configure as below,

| 0xFE400C   | 0xFE400D   | 0xFE400E | 0xFE400F  |
|------------|------------|----------|-----------|
| 192 (0xC0) | 168 (0xA8) | 0 (0x00) | 11 (0x0B) |

**Sn\_DPORT (SOCKET *n* Destination Port Register)[R/W][(0xFE4010 + 0x100*n*) - (0xFE4011 + 0x100*n*)] [0x0000]**

The destination port number is set in the Sn\_DPORT of SOCKET *n*. If SOCKET 0 is used as PPPoE mode, S0\_DPORT0 sets PPP session ID that is already known.

It is valid only in TCP, UDP or PPPoE mode, and ignored in other modes.

At the TCP mode, when operating as "TCP CLIENT", it listens for the port number of the "TCP SERVER" before performing the CONNECT command.

At the UDP mode, the destination port number is set in the Sn\_DPORT to be used for transmitting UDP DATA packets before performing SEND or SEND\_MAC command.

At the PPPoE mode, the PPP session ID that is already known is set in the S0\_DPORT. PPP session ID (set by S0\_DPORT0) is applied to PSIDR after performing the OPEN command.

Ex) In case of SOCKET 0 Destination Port = 5000(0x1388), configure as below,

| 0xFE4010 | 0xFE4011 |
|----------|----------|
| 0x13     | 0x88     |

**Sn\_MSSR (SOCKET *n* Maximum Segment Size Register)[R/W][(0xFE4012 + 0x100*n*) - (0xFE4013 + 0x100*n*)] [0x0000]**

It sets the MTU (Maximum Transfer Unit) of SOCKET *n* or notifies the MTU that is already set. It supports TCP or UDP mode. When using PPPoE (MR(PPPoE)='1'), the MTU of the TCP or UDP mode is assigned in the range of the MTU of PPPoE.

At the IPRAW or MACRAW, MTU is not processed internally, but the default MTU is used. Therefore, when transmitting data bigger than the default MTU, the host should manually divide the data into the default MTU unit.

Reset value is 0 in the SOCKET initialization process, but the MSSR is changed to the smaller value between the user setting value and default value. If there is no user setting value, MSSR is changed to default value.

At the TCP or UDP mode, if transmitting data is bigger than the MTU, W7100A automatically divides the data into the MTU unit.

MTU is known as MSS in the TCP mode. By selecting from the Host-Written-Value and the peer's MSS, MSS is automatically set as the smaller value through the TCP connection process.

At the UDP mode, there is no connection-process of TCP mode, and Host-Written-Value is just used. When communicating with the peer having a different MTU, W7100A is able to receive ICMP (Fragment MTU) packets. So, the user should close the SOCKET, set FMTU as

Sn\_MSSR and retry the communication with the OPEN command.

| Mode   | Normal (MR(PPPoE)='0') |          | PPPoE (MR(PPPoE)='1') |          |
|--------|------------------------|----------|-----------------------|----------|
|        | Default MTU            | Range    | Default MTU           | Range    |
| TCP    | 1460                   | 1 ~ 1460 | 1452                  | 1 ~ 1452 |
| UDP    | 1472                   | 1 ~ 1472 | 1464                  | 1 ~ 1464 |
| IPRAW  | 1480                   |          | 1472                  |          |
| MACRAW | 1514                   |          |                       |          |

Ex) In case of SOCKET 0 MSS = 1460(0x05B4), configure as below,

|          |          |
|----------|----------|
| 0xFE4012 | 0xFE4013 |
| 0x05     | 0xB4     |

**Sn\_PROTO (SOCKET *n* Protocol Number Register)[R/W][0xFE4014 + 0x100n][0x00]**

It is a 1 byte register that sets the protocol number field of the IP header at the IP layer. It is valid only in IPRAW mode, and ignored in other modes. Sn\_PROTO is set before OPEN command. When SOCKET *n* is opened in IPRAW mode, it transmits and receives the data of the protocol number set in Sn\_PROTO. Sn\_PROTO can be assigned in the range of 0x00 - 0xFF, but W7100A does not support TCP(0x06) and UDP(0x11) protocol number

Protocol number is defined in IANA(Internet assigned numbers authority). For the detail, refer to online document (<http://www.iana.org/assignments/protocol-numbers>).

Ex) Internet Control Message Protocol(ICMP) = 0x01, Internet Group Management Protocol = 0x02

**Sn\_TOS (SOCKET *n* TOS Register)[R/W][0xFE4015 + 0x100n][0x00]**

It sets the TOS(Type of Service) field of the IP header at the IP layer. It should be set before the OPEN command. Refer to <http://www.iana.org/assignments/ip-parameters>.

**Sn\_TTL (SOCKET *n* TTL Register)[R/W][0xFE4016 + 0x100n][0x80]**

It sets the TTL(Time To Live) field of the IP header at the IP layer. It should be set before the OPEN command. Refer to <http://www.iana.org/assignments/ip-parameters>.

**Sn\_RXMEM\_SIZE (SOCKET *n* Receive Memory Size Register)[R/W][0xFE401E + 0x100n][0x02]**

It configures the internal RX Memory size of each SOCKET. RX Memory size of each SOCKET is configurable in the size of 1, 2, 4, 8, 16Kbytes. 2Kbytes is assigned when reset. Sn\_RXMEM\_SIZE<sub>SUM</sub>(sum of Sn\_RXMEM\_SIZE) of each SOCKET should be 16KB.

Ex1) SOCKET 0 : 8KB, SOCKET 1 : 2KB

|          |          |
|----------|----------|
| 0xFE401E | 0xFE411E |
| 0x08     | 0x02     |

Ex2) SOCKET 2 : 1KB, SOCKET 3 : 1KB

|          |          |
|----------|----------|
| 0xFE421E | 0xFE431E |
| 0x01     | 0x01     |

Ex3) SOCKET 4 : 1KB, SOCKET 5 : 1KB

|          |          |
|----------|----------|
| 0xFE441E | 0xFE451E |
| 0x01     | 0x01     |

Ex4) SOCKET 6 : 1KB, SOCKET 7 : 1KB

|          |          |
|----------|----------|
| 0xFE461E | 0xFE471E |
| 0x01     | 0x01     |

As shown above ex1) ~ ex4), total size of each SOCKET's RX memory (Sn\_RXMEM\_SIZE<sub>SUM</sub>) is 16Kbytes.

**Sn\_TXMEM\_SIZE (SOCKET *n* Transmit Memory Size Register)[R/W][0xFE401F + 0x100n][0x02]**

It configures the internal TX Memory size of each SOCKET. TX Memory size of each SOCKET is configurable in the size of 1, 2, 4, 8, 16Kbytes. 2Kbytes is assigned when reset. Sn\_TXMEM\_SIZE<sub>SUM</sub>(summation of Sn\_TXMEM\_SIZE) of each SOCKET should be 16KB.

Ex5) SOCKET 0 : 4KB, SOCKET 1 : 1KB

|          |          |
|----------|----------|
| 0xFE401F | 0xFE411F |
| 0x04     | 0x01     |

Ex6) SOCKET 2 : 2KB, SOCKET 3 : 1KB

|          |          |
|----------|----------|
| 0xFE421F | 0xFE431F |
| 0x02     | 0x01     |

Ex7) SOCKET 4 : 2KB, SOCKET 5 : 2KB

|          |          |
|----------|----------|
| 0xFE441F | 0xFE451F |
| 0x02     | 0x02     |



Ex8) SOCKET 6 : 2KB, SOCKET 7 : 2KB

| 0xFE461F | 0xFE471F |
|----------|----------|
| 0x02     | 0x02     |

As shown above ex5) ~ ex8), total size of each SOCKET's TX memory (Sn\_TXMEM\_SIZE<sub>SUM</sub>) is 16Kbytes.

**Sn\_TX\_FSR (SOCKET *n* TX Free Size Register)[R][(0xFE4020 + 0x100*n*) - (0xFE4021 + 0x100*n*)] [0x0000]**

It notifies the available size of the internal TX memory (the byte size of transmittable data) of SOCKET *n*. The host can't write data as a size bigger than Sn\_TX\_FSR. Therefore, be sure to check Sn\_TX\_FSR before transmitting data, and if your data size is smaller than or the same as Sn\_TX\_FSR, transmit the data with SEND or SEND\_MAC command after copying the data.

At the TCP mode, if the peer checks the transmitted DATA packet (if DATA/ACK packet is received from the peer), Sn\_TX\_FSR is automatically increased by the size of that transmitted DATA packet. At the other modes, when Sn\_IR(SENDOK) is '1', Sn\_TX\_FSR is automatically increased by the size of the transmitted data.

Ex) In case of 2048(0x8000) in S0\_TX\_FSR0

| 0xFE4020 | 0xFE4021 |
|----------|----------|
| 0x08     | 0x00     |

**Sn\_TX\_RD (SOCKET *n* TX Read Pointer Register)[R][(0xFE4022 + 0x100*n*) - (0xFE4023 + 0x100*n*)] [0x0000]**

This register shows the address of the last transmission finishing in the TX memory. With the SEND command of SOCKET *n* Command Register, it transmits data from the current Sn\_TX\_RD to the Sn\_TX\_WR and automatically updates after transmission is finished. Therefore, after transmission is finished, Sn\_TX\_RD and Sn\_TX\_WR will have the same value. When reading this register, the user should read the upper bytes (0xFE4022, 0xFE4122, 0xFE4222, 0xFE4322, 0xFE4422, 0xFE4522, 0xFE4622, 0xFE4722) first and lower bytes (0xFE4023, 0xFE4123, 0xFE4223, 0xFE4323, 0xFE4423, 0xFE4523, 0xFE4623, 0xFE4723) later to get the correct value.

**Sn\_TX\_WR (SOCKET *n* TX Write Pointer Register)[R/W][(0xFE4024 + 0x100*n*) - (0xFE4025 + 0x100*n*)] [0x0000]**

This register offers the location information of where the transmission data should be written. When reading this register, the user should read the upper bytes (0xFE4024, 0xFE4124, 0xFE4224, 0xFE4324, 0xFE4424, 0xFE4524, 0xFE4624, 0xFE4724) first and the lower bytes (0xFE4025, 0xFE4125, 0xFE4225, 0xFE4325, 0xFE4425, 0xFE4525, 0xFE4625, 0xFE4725) later to get the correct value.

Ex) In case of 2048(0x0800) in S0\_TX\_WR,

|          |          |
|----------|----------|
| 0xFE4024 | 0xFE4025 |
| 0x08     | 0x00     |

But this value itself is not the physical address to write. So, the physical address should be calculated as follows: (Refer to the W7100A Driver code)

1. SOCKET  $n$  TX Base Address (SBUFBASEADDRESS( $n$ )) and SOCKET $n$  TX Mask Address (SMASK( $n$ )) are calculated on Sn\_TXMEM\_SIZE( $n$ ) value. Refer to the Pseudo code of the Initialization if detail is needed.
2. The bitwise-AND operation of two values and Sn\_TX\_WR and SMASK( $n$ ) gives the result of the offset address (dst\_mask) in TX memory range of the SOCKET.
3. Two values dst\_mask and SBUFBASEADDRESS( $n$ ) are added together to give the result of the physical address (dst\_ptr).

Now, write the transmission data to dst\_ptr as large as the user wants. (\* There may be a case where it exceeds the TX memory of the upper-bound of the SOCKET while writing. In this case, write the transmission data to the upper-bound, and change the physical address to the SBUFBASEADDRESS( $n$ ). Next, write the rest of the transmission data.)

After that, be sure to increase the Sn\_TX\_WR value by the size of writing data. Finally, give the SEND command to Sn\_CR (SOCKET  $n$  Command Register). Refer to the pseudo code of the transmission part on TCP Server mode if the detail is needed.

Chip Base Address = 0xFE0000, 512(0x0200) bytes send

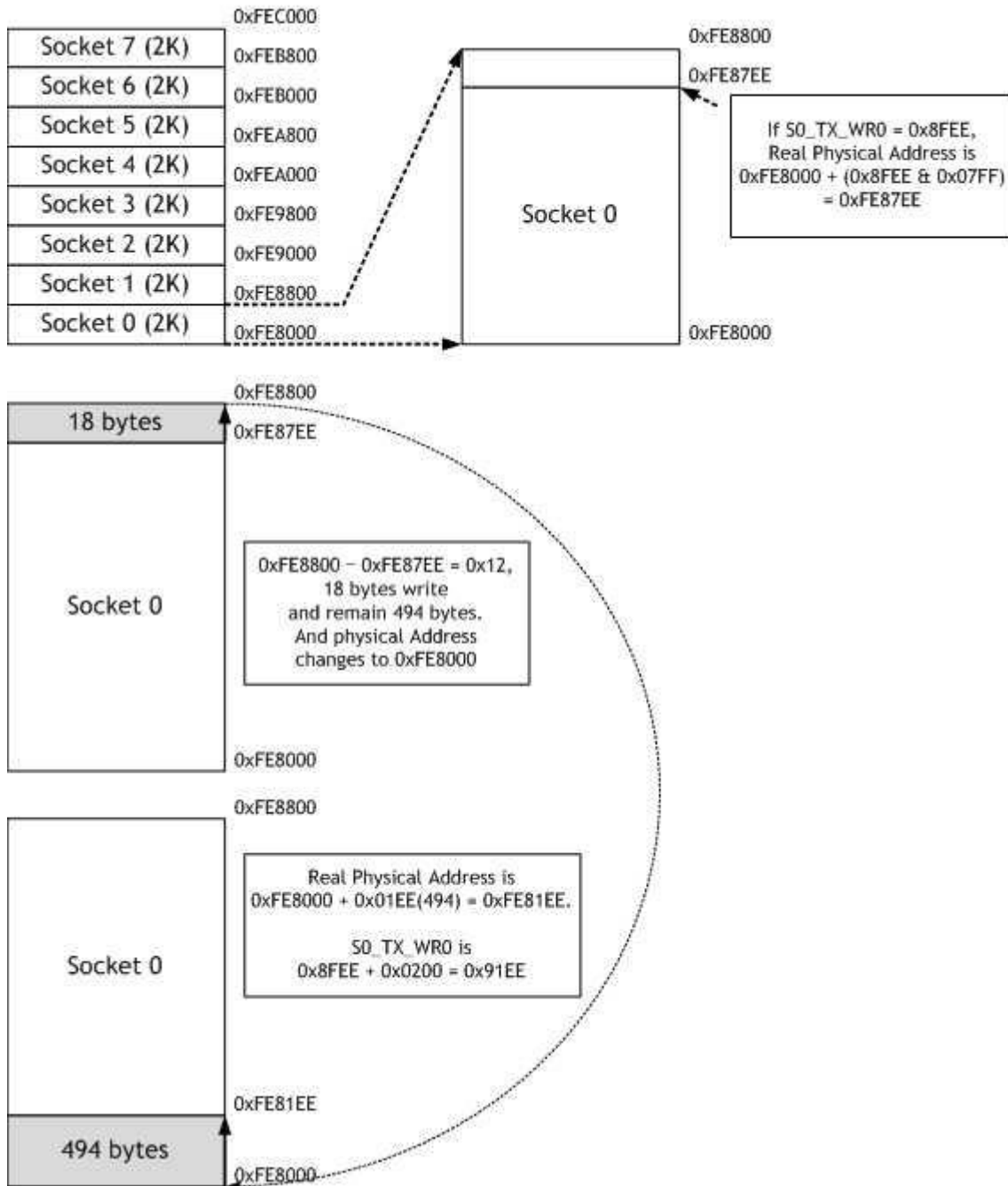


Figure 8.3 Calculate Physical Address

$S_n\_RX\_RSR$  (SOCKET  $n$  RX Received Size Register)[R][ $(0xFE4026 + 0x100n) - (0xFE4027 + 0x100n)$ ][0x0000]

It informs the user of the byte size of the received data in Internal RX Memory of SOCKET  $n$ . As this value is internally calculated with the values of  $S_n\_RX\_RD$  and  $S_n\_RX\_WR$ , it is automatically changed by RECV command of SOCKET  $n$  Command Register( $S_n\_CR$ ) and receives data from the remote peer. When reading this register, the user should read the upper byte(0xFE4026, 0xFE4126, 0xFE4226, 0xFE4326, 0xFE4426, 0xFE4526, 0xFE4626,

0xFE4726) first and lower byte(0xFE4027, 0xFE4127, 0xFE4227, 0xFE4327, 0xFE4427, 0xFE4527, 0xFE4627, 0xFE4727) later to get the correct value.

Ex) In case of 2048(0x0800) in S0\_RX\_RSR,

|          |          |
|----------|----------|
| 0xFE4026 | 0xFE4027 |
| 0x08     | 0x00     |

The total size of this value can be decided according to the value of RX Memory Size Register.

**Sn\_RX\_RD (SOCKET *n* Read Pointer Register)[R/W][(0xFE4028 + 0x100n) - (0xFE4029 + 0x100n)][0x0000]**

This register offers the location information to read the receiving data. When reading this register, user should read the upper byte (0xFE4028, 0xFE4128, 0xFE4228, 0xFE4328, 0xFE4428, 0xFE4528, 0xFE4628, 0xFE4728) first and lower byte (0xFE4029, 0xFE4129, 0xFE4229, 0xFE4329, 0xFE4429, 0xFE4529, 0xFE4629, 0xFE4729) later to get the correct value.

Ex) In case of 2048(0x0800) in S0\_RX\_RD,

|        |        |
|--------|--------|
| 0x0428 | 0x0429 |
| 0x08   | 0x00   |

But this value itself is not the physical address to read. So, the physical address should be calculated as follows: (Refer to the W7100A Driver code)

1. SOCKET *n* RX Base Address (RBUFBASEADDRESS(*n*)) and SOCKET *n* RX Mask Address (RMASK(*n*)) are calculated on Sn\_RXMEM\_SIZE(*n*) value.
2. The bitwise-AND operation of two values, Sn\_RX\_RD and RMASK(*n*) gives the result of the offset address (src\_mask), in the RX memory range of the SOCKET.
3. Two values src\_mask and RBUFBASEADDRESS(*n*) are added together to give the result of the physical address(src\_ptr).

Now, read the receiving data from src\_ptr as large as the user wants. (\* There may be a case where it exceeds the RX memory upper-bound of the SOCKET while reading. In this case, read the receiving data to the upper-bound, and change the physical address to the RBUFBASEADDRESS(*n*). Next, read the rest of the receiving data.)

After that, be sure to increase the Sn\_RX\_RD value by the size of the reading data. (\* Must not increase more than the size of received data. So must check Sn\_RX\_RSR before receiving process.) Finally, give RECV command to Sn\_CR(SOCKET *n* Command Register).

Refer to the pseudo code of the receiving part on TCP Server mode if the detail is needed.

**Sn\_RX\_WR (SOCKET *n* RX Write Pointer Register)[R/W][(0xFE402A + 0x100n) - (0xFE402B + 0x100n)][0x0000]**

This register offers the location information to write the receive data. When reading this register, the user should read upper bytes (0xFE402A, 0xFE412A, 0xFE422A, 0xFE432A,

0xFE442A, 0xFE452A, 0xFE462A, 0xFE472A) first and lower bytes (0xFE402B, 0xFE412B, 0xFE422B, 0xFE432B, 0xFE442B, 0xFE452B, 0xFE462B, 0xFE472B) later to get the correct value.

Ex) In case of 2048(0x0800) in S0\_RX\_WR,

| 0xFE402A | 0xFE402B |
|----------|----------|
| 0x08     | 0x00     |

**Sn\_FRAG (SOCKET *n* Fragment Register)[R/W][(0xFE402D + 0x100n) - (0xFE402E + 0x100n)][0x4000]**

It sets the Fragment field of the IP header at the IP layer. W7100A does not support the packet fragment at the IP layer. Even though Sn\_FRAG is configured, IP data is not fragmented, and not recommended either. It should be configured before performing OPEN command.

Ex) Sn\_FRAG0 = 0x4000 (Don't Fragment)

| 0xFE402D | 0xFE402E |
|----------|----------|
| 0x40     | 0x00     |

## 9 Functional Description

Since the W7100A internally contains the 8051 compatible **MCU** and TCP/IP core, it can run standalone without other devices to Ethernet application. In this section, both the initialization of the W7100A and the communication method for each protocol (TCP, UDP, IPRAW and MACRAW) based on Pseudo code will be introduced.

### 9.1 Initialization

The initialization of W7100A has three steps which setup the 8051 MCU, the network information and the internal TX/RX memory.

- **STEP 1 : Initializes MCU**

1. Interrupt setting

Set the enable / disable state of interrupt such as the general 8051. Detail information of the setting refers to the section 3 'Interrupt'.

2. Memory Access timing setting

The memory access timing can be set by using two registers which are CKCON (0x8E) and WTST (0x92) registers. The CKCON (0x8E) can control the data memory access timing and the WTST (0x92) can control the code memory access timing. Both two registers can set their value from 0 to 7. But in the W7100A, CKCON can set the value 1-7 and WTST can set the value 4-7 only. The other values of both registers are not used. If the user sets the value to an unused value, the W7100A cannot run properly. Detail information can be found in the section 2.5 'SFR definition'.

Ex) Setting: interrupt disabled, 2 clocks access time with data memory, 7 clocks access time with code memory.

|               |                                |
|---------------|--------------------------------|
| EA = 0;       | // Disable all interrupts      |
| CKCON = 0x01; | // Set data memory access time |
| WTST = 0x06;  | // Set code memory access time |

3. Serial baud rate, register and interrupt setting for serial communication

- 1) For the serial communication, related registers of W7100A should be set.

The registers of W7100A for serial communication are TMOD, PCON and SCON as below.

① TMOD(89H): Decide the timer/counter mode for serial communication.

|      |     |                |                |      |     |                |                |
|------|-----|----------------|----------------|------|-----|----------------|----------------|
| GATE | C/T | M <sub>1</sub> | M <sub>0</sub> | GATE | C/T | M <sub>1</sub> | M <sub>0</sub> |
|------|-----|----------------|----------------|------|-----|----------------|----------------|

Table 9.1 Timer / Counter Mode

| M <sub>1</sub> | M <sub>0</sub> | Mode |
|----------------|----------------|------|
| 0              | 0              | 0    |
| 0              | 1              | 1    |
| 1              | 0              | 2    |
| 1              | 1              | 3    |

② PCON(87H): Decide the SMOD bit which is the control flag of the serial transmission rate.

|      |   |   |   |   |   |   |   |
|------|---|---|---|---|---|---|---|
| SMOD | - | - | - | - | - | - | - |
|------|---|---|---|---|---|---|---|

Table 9.2 Baud rate

| Mode | SMOD = '0'                                | SMOD = '1'                      |
|------|-------------------------------------------|---------------------------------|
| 1, 3 | A half of Overflow of the Timer/Counter 1 | Overflow of the Timer/Counter 1 |
| 2    | A quarter of the XTAL                     | A half of the XTAL              |

③ SCON(98H): For control and observe the UART.

|                 |                 |                 |     |                 |                 |    |    |
|-----------------|-----------------|-----------------|-----|-----------------|-----------------|----|----|
| SM <sub>0</sub> | SM <sub>1</sub> | SM <sub>2</sub> | REN | TB <sub>8</sub> | RB <sub>8</sub> | TI | RI |
|-----------------|-----------------|-----------------|-----|-----------------|-----------------|----|----|

Table 9.3 Mode of UART

| SM <sub>0</sub> | SM <sub>1</sub> | Mode |
|-----------------|-----------------|------|
| 0               | 0               | 0    |
| 0               | 1               | 1    |
| 1               | 0               | 2    |
| 1               | 1               | 3    |

SM<sub>2</sub>: Used in Mode2, 3. Assume that this bit set to 1, if the 9th bit of received data bit is '1', receive the data. Or the bit is '0' ignore the data.

REN: Receive enable bit ('1'; Receive enable).

TB<sub>8</sub>: In the mode2, 3, 8th bit of transmitted data.

RB<sub>8</sub>: In the mode2, 3, 8th bit of received data.

TI: Transmission complete interrupt flag.

RI: Reception complete interrupt flag.

2) Interrupt state should be set when initializing the serial communication.

Since the serial communication uses interrupt, user must disable the related interrupts when initializing the serial communication.

3) The baud rate should be set to the value which the user will use. Baud rate value for the

timer of W7100A refers to the section 6.6 'Examples of Baud Rate Setting'.

The calculation of baud rate for the timer is as below

- ① Calculation formula of timer1

$$TH1 = 256 - ((K * 88.4736\text{MHz}) / (384 * \text{baud rate}))$$

$$K = '1' \text{ at SMOD} = '0', K = '2' \text{ at SMOD} = '1'$$

- ② Calculation formula of timer2

$$(\text{RCAP2H}, \text{RCAP2L}) = 65536 - (88.4736\text{MHz} / (32 * \text{baud rate}))$$

Ex) Using timer mode2, SMOD = 1, Clock speed = 88.4736MHz, Baud rate = 115200.

```
ET1= 0;           // Timer1 INT disable
TMOD = 0x20;     // TIMER MODE2
PCON |= 0x80;    // SMOD = 1
TH1 = 0xFC;     // x2 115200(SMOD = 1) at 88.4736MHz
TR1 = 1;        // Start the TIMER1
SCON = 0x50;    // Serial MODE1, REN = 1, TI = 0, RI = 0
ES = 0;         // Serial interrupt disable
RI = 0;         // Receive interrupt disable
TI = 0;         // Transmit interrupt disable
```

- 4) If user uses TCPIP Core interrupt, the INTLEVEL register must be set to the value more than **0x2B00** because of internal TCPIP Core interrupt routine.

Ex) Set the INTLEVEL register to 0x2B00

```
IINCHIP_WRITE (INTLEVEL0, 0x2B); //write high byte of INTLEVEL TCIPCore register
IINCHIP_WRITE (INTLEVEL0 + 1, 0x00); //write low byte of INTLEVEL TCIPCore register
```

## ● STEP 2 : Setting Network Information

1. Basic network information setting for communication:

It must be set the basic network information.

- ① SHAR(Source Hardware Address Register)

It is prescribed that the source hardware addresses, which is set by SHAR, use unique hardware addresses (Ethernet MAC address) in the Ethernet MAC layer. The IEEE manages the MAC address allocation. The manufacturer which produces the network device allocates the MAC address to product.

Details on MAC address allocation refer to the website as below.

<http://www.ieee.org/>, <http://standards.ieee.org/regauth/oui/index.shtml>

- ② GAR(Gateway Address Register)

- ③ SUBR(Subnet Mask Register)

- ④ SIPR(Source IP Address Register)



2. Set the retransmission time & count when the packet transmission fails.

To set the retransmission time, the registers should be set as below.

- ① RTR(Retry Time-value Register), In the RTR, '1' means '100us'.
- ② RCR(Retry Count Register)

- **STEP 3 : Allocation Internal TX/RX Memory for SOCKET  $n$**

Total configurable maximum size of TX, RX memory is 16 Kbytes. User can freely set the memory size to 1KB, 2KB, 4KB, 8KB and 16KB within 16Kbytes each 8 sockets. But the sum of TX or RX memory cannot be set more than 16Kbytes. (TX<sub>max</sub> = 16KB, RX<sub>max</sub> = 16KB)

```

In case of, assign 2KB rx, tx memory per SOCKET
{
gS0_RX_BASE = 0xFE0000(Chip base address) + 0xFEC000(Internal RX buffer address); // Set
base address of RX memory for SOCKET 0
Sn_RXMEM_SIZE(ch) = (uint8 *) 2; // Assign 2K rx memory per SOCKET
gS0_RX_MASK = 2K - 1; // 0x07FF, for getting offset address within assigned SOCKET 0 RX
memory
gS1_RX_BASE = gS0_RX_BASE + (gS0_RX_MASK + 1);
gS1_RX_MASK = 2K - 1;
gS2_RX_BASE = gS1_RX_BASE + (gS1_RX_MASK + 1);
gS2_RX_MASK = 2K - 1;
gS3_RX_BASE = gS2_RX_BASE + (gS2_RX_MASK + 1);
gS3_RX_MASK = 2K - 1;
gS4_RX_BASE = gS3_RX_BASE + (gS3_RX_MASK + 1);
gS4_RX_MASK = 2K - 1;
gS5_RX_BASE = gS4_RX_BASE + (gS4_RX_MASK + 1);
gS5_RX_MASK = 2K - 1;
gS6_RX_BASE = gS5_RX_BASE + (gS5_RX_MASK + 1);
gS6_RX_MASK = 2K - 1;
gS7_RX_BASE = gS6_RX_BASE + (gS6_RX_MASK + 1);
gS7_RX_MASK = 2K - 1;
gS0_TX_BASE = 0xFE0000(Chip base address) + 0xFE8000(Internal TX buffer address); // Set
base address of TX memory for SOCKET 0
Sn_TXMEM_SIZE(ch) = (uint8 *) 2; // Assign 2K rx memory per SOCKET
gS0_TX_MASK = 2K - 1;
Same method, set gS1_TX_BASE, gS1_TX_MASK, gS2_TX_BASE, gS2_TX_MASK, gS3_TX_BASE,
gS3_TX_MASK, gS4_TX_BASE, gS4_TX_MASK, gS5_TX_BASE, gS5_TX_MASK, gS6_TX_BASE,
gS6_tx_MASK, gS7_TX_BASE, gS7_TX_MASK.
}

```

Sn\_TXMEM\_SIZE(ch) = 2K,  
Chip base address = 0xFE0000

| Socket   | Base Address | TX Base                | TX Mask              |
|----------|--------------|------------------------|----------------------|
| Socket 7 | 0xFEC000     | gS7_TX_BASE = 0xFEB800 | gS7_TX_MASK = 0x07FF |
| Socket 6 | 0xFEB000     | gS6_TX_BASE = 0xFEB000 | gS6_TX_MASK = 0x07FF |
| Socket 5 | 0xFEA800     | gS5_TX_BASE = 0xFEA800 | gS5_TX_MASK = 0x07FF |
| Socket 4 | 0xFEA000     | gS4_TX_BASE = 0xFEA000 | gS4_TX_MASK = 0x07FF |
| Socket 3 | 0xFE9800     | gS3_TX_BASE = 0xFE9800 | gS3_TX_MASK = 0x07FF |
| Socket 2 | 0xFE9000     | gS2_TX_BASE = 0xFE9000 | gS2_TX_MASK = 0x07FF |
| Socket 1 | 0xFE8800     | gS1_TX_BASE = 0xFE8800 | gS1_TX_MASK = 0x07FF |
| Socket 0 | 0xFE8000     | gS0_TX_BASE = 0xFE8000 | gS0_TX_MASK = 0x07FF |

(a) TX memory allocation

Sn\_RXMEM\_SIZE(ch) = 2K,  
Chip base address = 0xFE0000

| Socket   | Base Address | RX Base                | RX Mask              |
|----------|--------------|------------------------|----------------------|
| Socket 7 | 0xFEF800     | gS7_RX_BASE = 0xFEF800 | gS7_RX_MASK = 0x07FF |
| Socket 6 | 0xFEF000     | gS6_RX_BASE = 0xFEF000 | gS6_RX_MASK = 0x07FF |
| Socket 5 | 0xFEE800     | gS5_RX_BASE = 0xFEE800 | gS5_RX_MASK = 0x07FF |
| Socket 4 | 0xFEE000     | gS4_RX_BASE = 0xFEE000 | gS4_RX_MASK = 0x07FF |
| Socket 3 | 0xFED800     | gS3_RX_BASE = 0xFED800 | gS3_RX_MASK = 0x07FF |
| Socket 2 | 0xFED000     | gS2_RX_BASE = 0xFED000 | gS2_RX_MASK = 0x07FF |
| Socket 1 | 0xFEC800     | gS1_RX_BASE = 0xFEC800 | gS1_RX_MASK = 0x07FF |
| Socket 0 | 0xFEC000     | gS0_RX_BASE = 0xFEC000 | gS0_RX_MASK = 0x07FF |

(b) RX memory allocation

Figure 9.1 Allocation Internal TX/RX memory of SOCKET *n*

If the W7100A initialization process is finished, the W7100A can perform data communication through Ethernet. From this point, the W7100A can transmit the ping-reply of the request packet which is received from network.

## 9.2 Data Communication

After the W7100A initialization process, open the SOCKET to TCP or UDP or IPRAW or MACRAW mode. W7100A can transmit and receive the data with others by 'open' the SOCKET. The W7100A supports the independently and simultaneously usable 8 SOCKETS. In this section, the communication method for each mode will be introduced.

### 9.2.1 TCP

The TCP is a connection-oriented protocol. The TCP make the connection SOCKET by using its own IP address, port number and destination IP address, port number. Then transmits and receives the data by using this SOCKET.

Methods of making the connection to SOCKET are "TCP SERVER" and "TCP CLIENT". It is divided by transmitting the connect-request (SYN packet).

The "TCP SERVER" listens to the connect-request from the "TCP CLIENT", and makes connection SOCKET by accepting the transmitted connect-request (Passive-open).

The "TCP CLIENT" transmits the connect-request first to "TCP SERVER" to make the connection (Active-open).

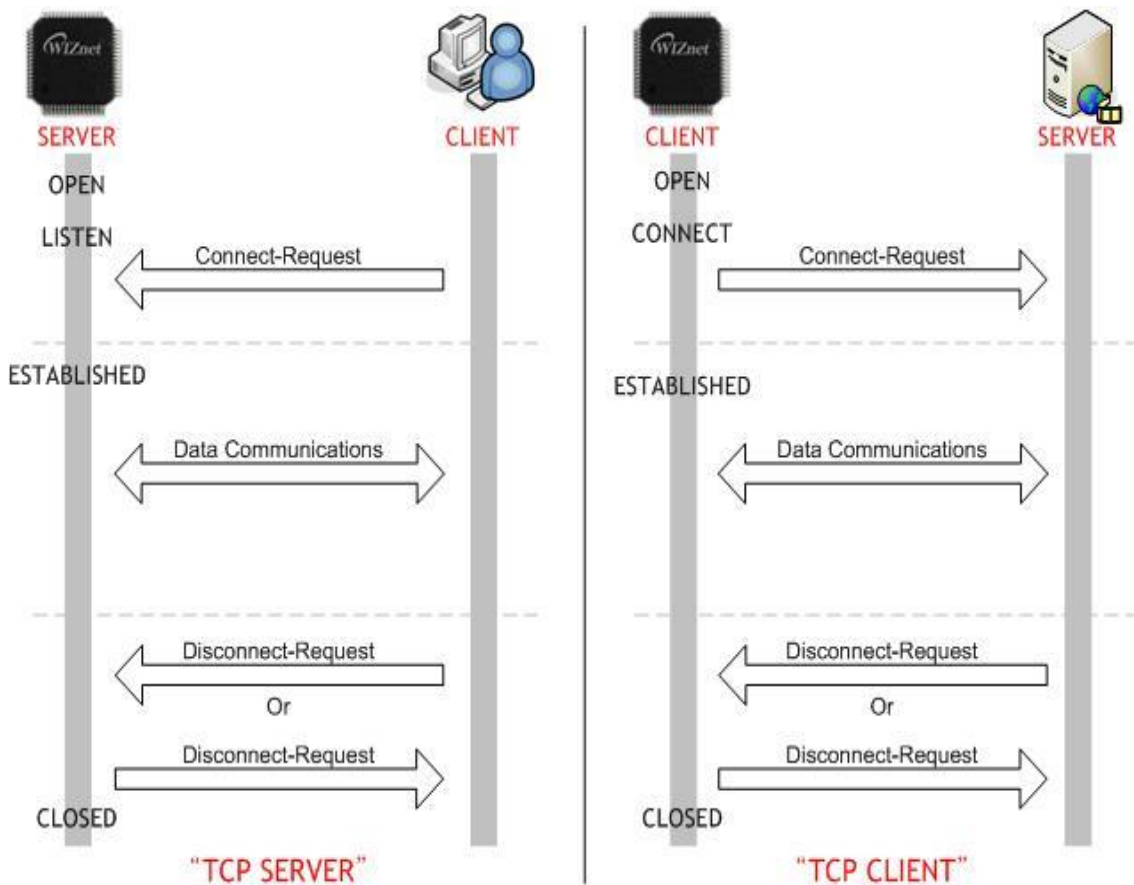


Figure 9.2 TCP SERVER & TCP CLIENT

### 9.2.1.1 TCP SERVER

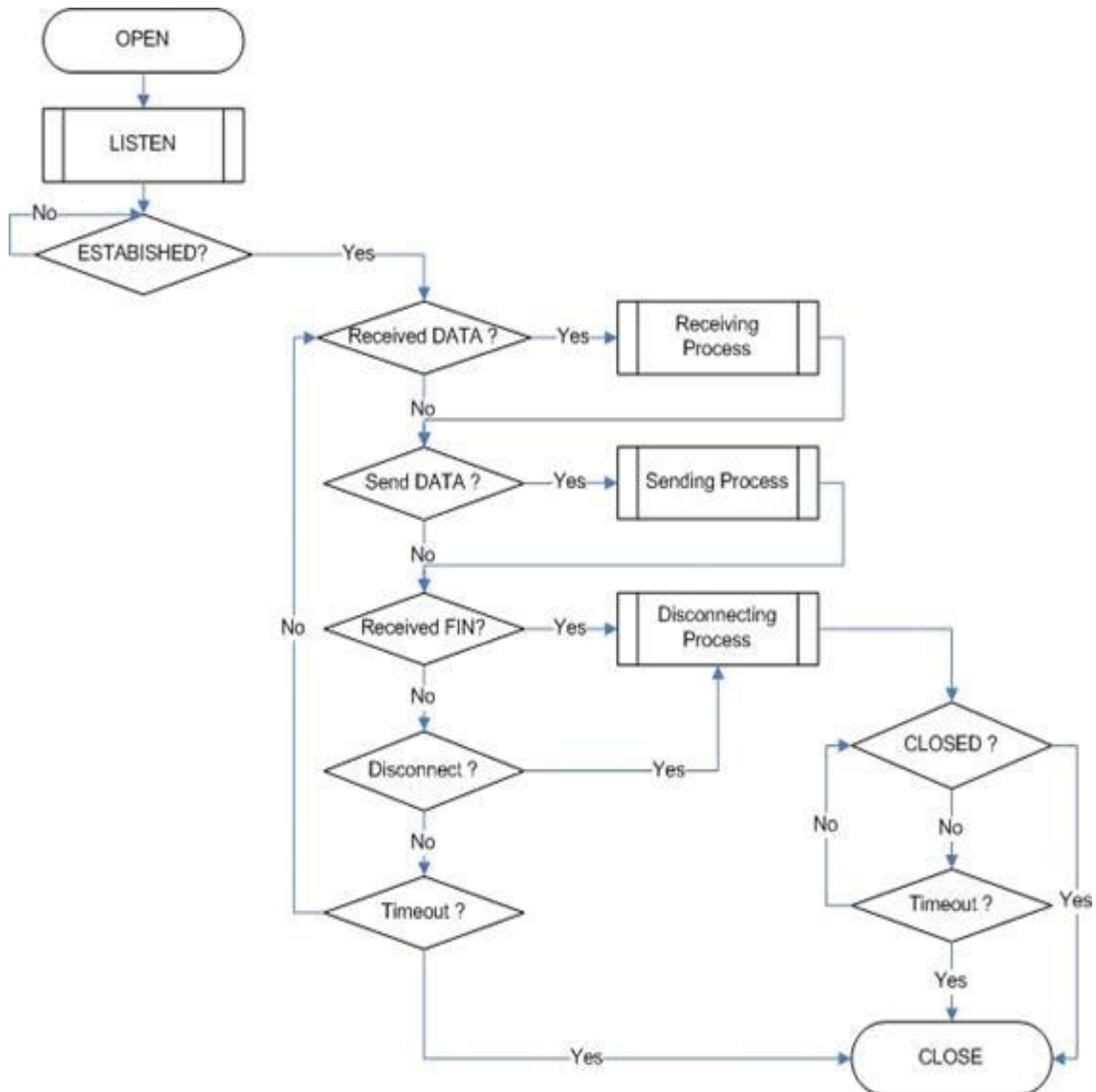


Figure 9.3 “TCP SERVER” Operation Flow

#### ■ SOCKET Initialization

SOCKET initialization is required for TCP data communication. The initialization is opening the SOCKET. The SOCKET opening process selects one SOCKET from 8 SOCKETS of the W7100A, and sets the protocol mode (Sn\_MR(P3:P0)) and Sn\_PORT0 which is source port number (Listen port number in “TCP SERVER”) in the selected SOCKET, and then executes OPEN command. After the OPEN command, if the status of Sn\_SR is changed to SOCK\_INIT, the SOCKET initialization process is completed.

The SOCKET initialization process is identically applied in “TCP SEVER” and “TCP CLIENT”. The Initialization process of SOCKET *n* in TCP mode is shown below.

```

{
START:
Sn_MR = 0x0001;           // sets TCP mode

```

```
Sn_PORT = source_port;          // sets source port number
Sn_CR = OPEN;                   // sets OPEN command
/* wait until Sn_SR is changed to SOCK_INIT */
if (Sn_SR != SOCK_INIT) Sn_CR = CLOSE; goto START;
}
```

#### ■ LISTEN

Run as “TCP SERVER” by LISTEN command.

```
{
/* listen SOCKET */
Sn_CR = LISTEN;
/* wait until Sn_SR is changed to SOCK_LISTEN */
if (Sn_SR != SOCK_LISTEN) Sn_CR = CLOSE; goto START;
}
```

#### ■ ESTABLISHMENT

When the status of Sn\_SR is SOCK\_LISTEN, if it receives a SYN packet, the status of Sn\_SR is changed to SOCK\_SYNRCV and transmits the SYN/ACK packet. After that, the SOCKET *n* makes a connection. After it makes the connection of SOCKET *n*, it enables the data communication. There are two methods to confirm the connection of SOCKET *n*.

First method :

```
{
if (Sn_IR(CON) == '1') Sn_IR(CON) = '1'; goto ESTABLISHED stage;
/* In this case, if the interrupt of SOCKET n is activated, interrupt occurs. Refer to IR, IMR
Sn_IMR and Sn_IR. */
}
```

Second method :

```
{
if (Sn_SR == SOCK_ESTABLISHED) goto ESTABLISHED stage;
}
```

#### ■ ESTABLISHMENT : Check received data

Confirm the reception of the TCP data.

First method :

```
{
if (Sn_IR(RECV) == '1') Sn_IR(RECV) = '1'; goto Receiving Process stage;
```

```

    /* In this case, if the interrupt of SOCKET n is activated, interrupt occurs. Refer to IR, IMR
       Sn_IMR and Sn_IR. */
}

```

Second Method :

```

{
    if (Sn_RX_RSR != 0x00000000) goto Receiving Process stage;
}

```

The First method: set the Sn\_IR(RECV) to '1' whenever you receive a DATA packet. If the host receives the next DATA packet without setting the Sn\_IR(RECV) as '1' in the prior DATA packet, it cannot recognize the Sn\_IR(RECV) of the next DATA packet. This is due to the prior Sn\_IR(RECV) and next Sn\_IR(RECV) being overlapped. So this method is not recommended if the host cannot perfectly process the DATA packets of each Sn\_IR(RECV).

#### ■ ESTABLISHMENT : Receiving process

In this process, it processes the TCP data which was received in the Internal RX memory. At the TCP mode, the W7100A cannot receive the data if the size of received data is larger than the RX memory free size of SOCKET *n*. If the prior stated condition is happened, the W7100A holds on to the connection (pauses), and waits until the RX memory's free size is larger than the size of the received data.

The wizmemcpy function, using Receive / Send process for fast memory copy, is defined in the wizmemcpy.c file of W7100A driver. About more detailed information please refer to the section 13 'Performance Improvement about W7100A' for its performance and "W7100A Driver Guide" for its usage. If user don't want to use the wizmemcpy function, just use a common memory copy function.

Since the W7100A internally has data memory and TCPIPCore internal memory, user should classify it by address. So user must pad '0xFE' to the top level address of TCPIPCore internal memory with, or DPX0 register set to '0xFE' when memory copying from TCPIPCore memory to data memory. More detail about the wizmemcpy please refers to the 'W7100A Driver Guide'.

```

{
    /* first, get the received size */
    len = Sn_RX_RSR;    // len is received size
    /* calculate offset address */
    src_mask = Sn_RX_RD & gSn_RX_MASK;    // src_mask is offset address
    /* calculate start address(physical address) */
    src_ptr = gSn_RX_BASE + src_mask;    // src_ptr is physical start address

    /* if overflow SOCKET RX memory */
}

```

```

If((src_mask + len) > (gSn_RX_MASK + 1))
{
    /* copy upper_size bytes of get_start_address to destination_address */
    upper_size = (gSn_RX_MASK + 1) - src_mask;
    wizmemcpy((0xFE0000 + src_ptr), (0x000000 + destination_address), upper_size);
    /* update destination_address */
    destination_address += upper_size;
    /* copy left_size bytes of gSn_RX_BASE to destination_address */
    left_size = len - upper_size;
    wizmemcpy((0xFE0000 + src_ptr), (0x000000 + destination_address), left_size);
}
else
{
    /* copy len bytes of src_ptr to destination_address */
    wizmemcpy((0xFE0000 + src_ptr), (0x000000 + destination_address), len);
}
/* increase Sn_RX_RD as length of len */
Sn_RX_RD += len;
/* set RECV command */
Sn_CR = RECV;
}

```

■ ESTABLISHMENT : Check send data / Send process

The size of the transmit data cannot be larger than assigned internal TX memory of SOCKET *n*. If the size of transmit data is larger than configured MSS, it is divided by size of MSS and transmits.

To transmit the next data, user must check the completion of prior SEND command. An error may occur if the SEND command executes before completion of prior SEND command. The larger the data size, the more time to complete the SEND command. So the user should properly divide the data to transmit.

At the send process, user must pad '0xFE' to top-level address of TCPIPCore internal memory as in the receive process.

```

{
    /* first, get the free TX memory size */
    FREESIZE:
    freesize = Sn_TX_FSR;
    if (freesize < len) goto FREESIZE;    // len is send size
    /* calculate offset address */
}

```

```

dst_mask= Sn_TX_WR & gSn_TX_MASK;    // dst_mask is offset address
/* calculate start address(physical address) */
dst_ptr = gSn_TX_BASE + dst_mask;    // dst_ptr is physical start address
/* if overflow SOCKET TX memory */
if ( (dst_mask + len) > (gSn_TX_MASK + 1) )
{
    /* copy upper_size bytes of source_addr to dst_ptr */
    upper_size = (gSn_TX_MASK + 1) - dst_mask;
    wizmemcpy((0x000000 + source_addr), (0xFE0000 + dst_ptr), upper_size);
    /* update source_addr*/
    source_addr += upper_size;
    /* copy left_size bytes of source_addr to gSn_TX_BASE */
    left_size = len - upper_size;
    wizmemcpy((0x000000 + source_addr), (0xFE0000 + gSn_TX_BASE), left_size);
}
else
{ /* copy len bytes of source_addr to dst_ptr */
    wizmemcpy((0x000000 + source_addr), (0xFE0000 + dst_ptr), len);
}
/* increase Sn_TX_WR as length of len */
Sn_TX_WR += send_size;
/* set SEND command */
Sn_CR = SEND;
}

```

■ ESTABLISHMENT : Check disconnect-request(FIN packet)

Check if the Disconnect-request(FIN packet) has been received. User can confirm the reception of FIN packet as below.

```

First method :
{
    if (Sn_IR(DISCON) == '1') Sn_IR(DISCON)='1'; goto CLOSED stage;
    /* In this case, if the interrupt of SOCKET n is activated, interrupt occurs. Refer to IR, IMR
       Sn_IMR and Sn_IR. */
}

Second method :
{
    if (Sn_SR == SOCK_CLOSE_WAIT) goto CLOSED stage;
}

```



■ ESTABLISHMENT : Check disconnect / disconnecting process

When the user does not need data communication with others, or receives a FIN packet, disconnect the connection SOCKET.

```
{ /* set DISCON command */  
  Sn_CR = DISCON;  
}
```

■ ESTABLISHMENT : Check closed

Confirm that the SOCKET *n* is disconnected or closed by DISCON or close command.

First method :

```
{  
  if (Sn_IR(DISCON) == '1') goto CLOSED stage;  
  /* In this case, if the interrupt of SOCKET n is activated, interrupt occurs. Refer to IR, IMR  
  Sn_IMR and Sn_IR. */  
}
```

Second method :

```
{  
  if (Sn_SR == SOCK_CLOSED) goto CLOSED stage;  
}
```

■ ESTABLISHMENT : Timeout

The timeout can occur by Connect-request(SYN packet) or its response(SYN/ACK packet), the DATA packet or its response(DATA/ACK packet), the Disconnect-request(FIN packet) or its response(FIN/ACK packet) and transmission all TCP packet. If it cannot transmit the above packets within 'timeout' which is configured at RTR and RCR, the TCP final timeout(TCP<sub>TO</sub>) occurs and the state of Sn\_SR is changed to SOCK\_CLOSED. Confirming method of the TCP<sub>TO</sub> is as below:

First method :

```
{  
  if (Sn_IR(TIMEOUT bit) == '1') Sn_IR(TIMEOUT)='1'; goto CLOSED stage;  
  /* In this case, if the interrupt of SOCKET n is activated, interrupt occurs. Refer to IR, IMR  
  Sn_IMR and Sn_IR. */  
}
```

Second method :

```
{  
  if (Sn_SR == SOCK_CLOSED) goto CLOSED stage;  
}
```

- SOCKET close

It can be used to close the SOCKET  $n$ , which disconnected by disconnect-process, or closed by TCP<sub>TO</sub> or closed by host's need without disconnect-process.

```
{/* clear the remained interrupts of SOCKET n*/  
  Sn_IR = 0x00FF;  
  IR(n) = '1';  
  /* set CLOSE command */  
  Sn_CR = CLOSE;  
}
```

### 9.2.1.2 TCP CLIENT

It is same as TCP server except 'CONNECT' state. User can refer to the "9.2.1.1 TCP SERVER".

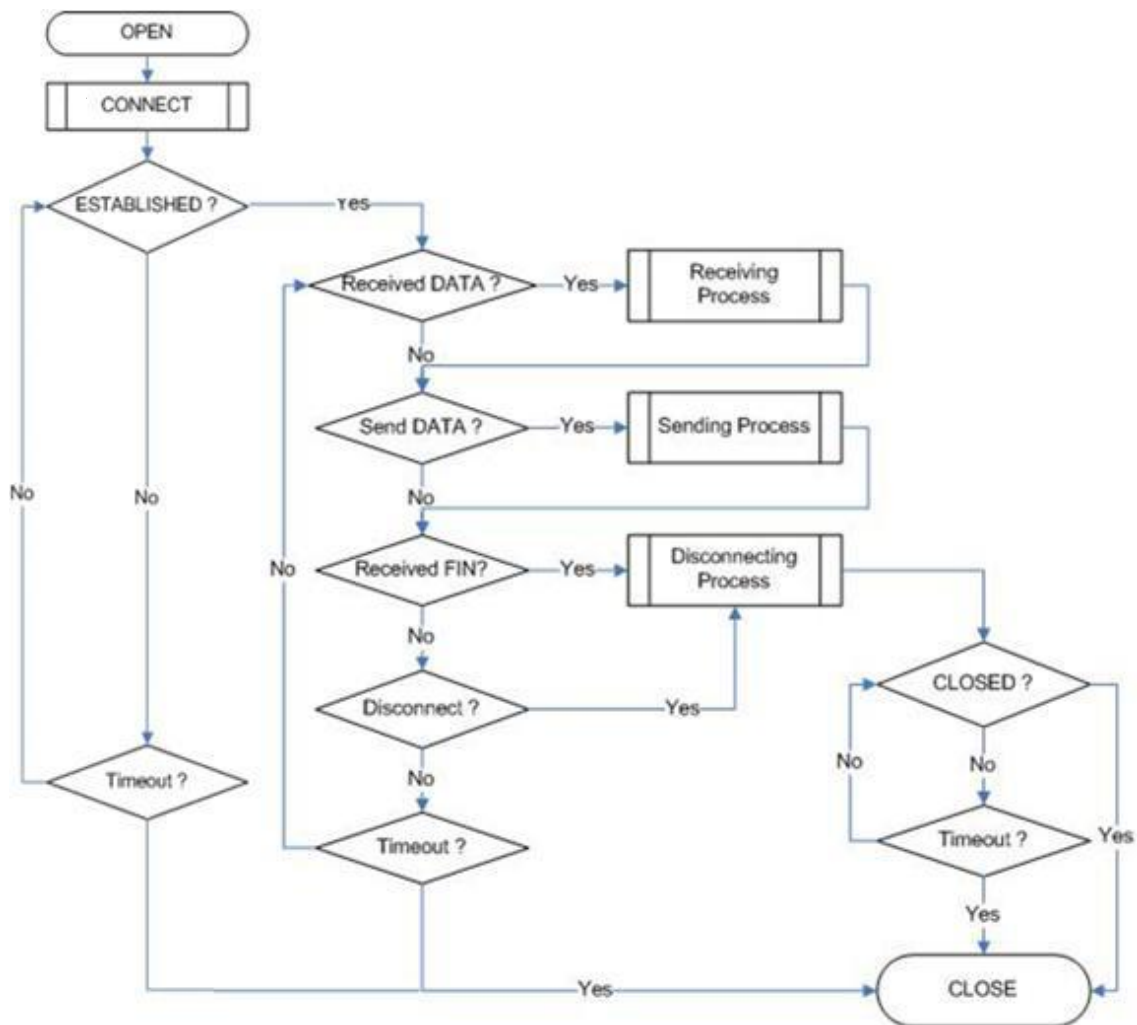


Figure 9.4 "TCP CLIENT" Operation Flow

#### ■ CONNECT

Transmit the connect-request(SYN packet) to "TCP SERVER". It may occurs the timeout such as ARP<sub>TO</sub>, TCP<sub>TO</sub> when make the "connection SOCKET" with "TCP SERVER"

```

{
  Sn_DIPR = server_ip;          /* set TCP SERVER IP address*/
  Sn_DPORT = server_port;      /* set TCP SERVER listen port number*/
  Sn_CR = CONNECT;            /* set CONNECT command */
}
  
```

## 9.2.2 UDP

The UDP is a Connection-less protocol. It communicates without “connection SOCKET”. The TCP protocol guarantees reliable data communication, but the UDP protocol use datagram communication which has no guarantees of data communication. Because the UDP do not use “connection SOCKET”, it can communicate with many other devices with the known host IP address and port number. This is a great advantage; communication with many others by using just one SOCKET, but also it has many problems such as loss of transmitted data, unwanted data which received from others etc. In the UDP, to avoid these problems and guarantee the reliability, the host retransmits damaged data or ignores the unwanted data which is received from others. The UDP protocol supports unicast, broadcast, and multicast communication. It follows the below communication flow.

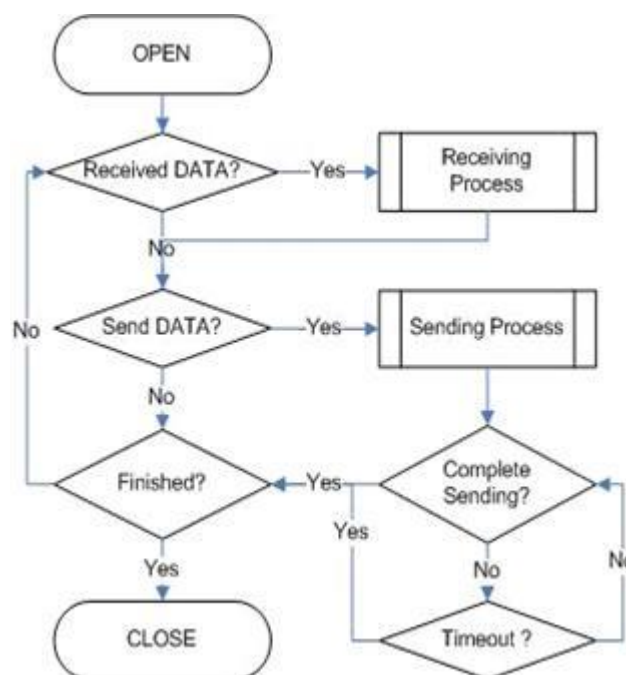


Figure 9.5 UDP Operation Flow

### 9.2.2.1 Unicast & Broadcast

The unicast is one method of UDP communication. It transmits data to one destination at one time. On the other hand, the broadcast communication transmits data to all receivable destinations by using ‘broadcast IP address (255.255.255.255)’. For example, suppose that the user transmits data to destination A, B and C. The unicast communication transmits each destination A, B and C at each time. At this time, the ARP<sub>TO</sub> can also occur when the user gets the destination hardware address of destinations A, B and C. User cannot transmit data to destinations which have ARP<sub>TO</sub>.

The broadcast communication can simultaneously transmit data to destination A, B and C at one time by using “255.255.255.255” IP address. At this time, there is no need to get the

destination hardware address about destination A, B and C, and also ARP<sub>T0</sub> is not occurred.

- How to make broadcast IP?

The broadcast IP address can be obtained by performing a bitwise logical OR operation between the bit complement of the subnet mask and the host IP address.

ex> IP: 222.98.173.123, Subnet Mask: 255.255.255.0 then broadcast IP: 222.98.173.255

| Description                | Decimal         | Binary                              |
|----------------------------|-----------------|-------------------------------------|
| HOST IP                    | 222.098.173.123 | 11011110.01100010.10101101.01111011 |
| Bit Complement Subnet mask | 000.000.000.255 | 00000000.00000000.00000000.11111111 |
| Bitwise OR                 | -               | -                                   |
| Broadcast IP               | 222.098.173.255 | 11011110.01100010.10101101.11111111 |

- SOCKET Initialization

For the UDP data communication, SOCKET initialization is needed. It is opening the SOCKET. The SOCKET open process is as follows. At first choose the one SOCKET among the 8 SOCKETS of W7100A, then set the protocol mode(Sn\_MR(P3:P0)) of the chosen SOCKET and set the source port number Sn\_PORT0 for communication. Finally execute the OPEN command. After the OPEN command, the state of Sn\_SR is changed to SOCK\_UDP. Then the SOCKET initialization is complete.

```
{
START:
Sn_MR = 0x02;           /* sets UDP mode */
Sn_PORT = source_port; /* sets source port number */
Sn_CR = OPEN;          /* sets OPEN command */
/* wait until Sn_SR is changed to SOCK_UDP */
if (Sn_SR != SOCK_UDP) Sn_CR = CLOSE; goto START;
}
```

- Check received data

Check the reception of UDP data from destination. User can also check for received data via TCP communication. It is strongly recommended that the TCP method is used because of the same reason ing TCP. Please refer to the “9.2.1.1 TCP SERVER”.

First method :

```
{
if (Sn_IR(RECV) == '1') Sn_IR(RECV) = '1'; goto Receiving Process stage;
/* In this case, if the interrupt of SOCKET n is activated, interrupt occurs. Refer to IR, IMR
Sn_IMR and Sn_IR. */
```

```
}

```

Second Method :

```
{

```

```
    if (Sn_RX_RSR != 0x00000000) goto Receiving Process stage;

```

```
}

```

#### ■ Receiving process

Process the received UDP data in Internal RX memory. The structure of received UDP data is as below.

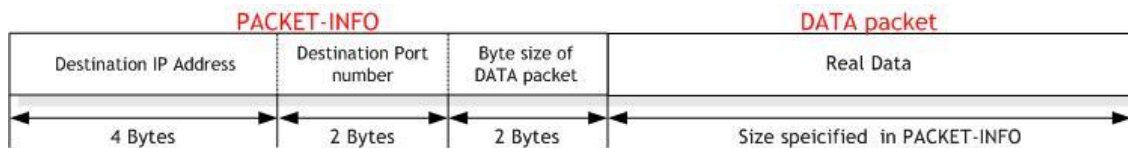


Figure 9.6 The received UDP data format

The received UDP data consists of 8bytes PACKET-INFO, and DATA packet. The PACKET-INFO contains transmitter's information (IP address, Port number) and the length of DATA packet. The UDP can receive UDP data from many others. User can classify the transmitter by transmitter's information of PACKET-INFO. It also receives broadcast SOCKET by using "255.255.255.255" IP address. So the host should ignore unwanted reception by analysis of transmitter's information.

If the DATA size of SOCKET  $n$  is larger than Internal RX memory free size, user cannot receive that DATA and also cannot receive fragmented DATA.

```

/* first, get the received size */
len = Sn_RX_RSR;    // len is received size
/* calculate offset address */
src_mask = Sn_RX_RD & gSn_RX_MASK;    // src_mask is offset address
/* calculate start address(physical address) */
src_ptr = gSn_RX_BASE + src_mask;    // src_ptr is physical start address

/* read head information (8 bytes) */
header_size = 8;
/* if overflow SOCKET RX memory */
if ( (src_mask + header_size) > (gSn_RX_MASK + 1) )
{ /* copy upper_size bytes of src_ptr to header_addr */
    upper_size = (gSn_RX_MASK + 1) - src_mask;
    wizmemcpy((0xFE0000 + src_ptr), (0x000000 + header_addr), upper_size);
    /* update header_addr*/
}

```

```

header_addr += upper_size;
/* copy left_size bytes of gSn_RX_BASE to header_addr */
left_size = header_size - upper_size;
wizmemcpy((0xFE0000 + gSn_RX_BASE), (0x000000 + header_addr), left_size);
/* update src_mask */
src_mask = left_size;
}
else
{ /* copy header_size bytes of get_start_address to header_addr */
    wizmemcpy((0xFE0000 + src_ptr), (0x000000 + header_addr), header_size);
    /* update src_mask */
    src_mask += header_size;
}
/* update src_ptr */
src_ptr = gSn_RX_BASE + src_mask;
/* save remote peer information & received data size */
peer_ip = header[0 to 3];
peer_port = header[4 to 5];
get_size = header[6 to 7];
/* if overflow SOCKET RX memory */
if ( (src_mask + get_size) > (gSn_RX_MASK + 1) )
{ /* copy upper_size bytes of src_ptr to destination_addr */
    upper_size = (gSn_RX_MASK + 1) - src_mask;
    wizmemcpy((0xFE0000 + src_ptr), (0x000000 + destination_addr), upper_size);
    /* update destination_addr */
    destination_addr += upper_size;
    /* copy left_size bytes of gSn_RX_BASE to destination_addr */
    left_size = get_size - upper_size;
    wizmemcpy((0xFE0000 + gSn_RX_BASE), (0x000000 + destination_addr), left_size);
}
else
{ /* copy len bytes of src_ptr to destination_addr */
    wizmemcpy((0xFE0000 + src_ptr), (0x000000 + destination_addr), get_size);
}
/* increase Sn_RX_RD as length of len + header_size */
Sn_RX_RD = Sn_RX_RD + get_size + header_size;
/* set RECV command */
Sn_CR = RECV;

```

```
}

```

■ Check send data / Sending process

The size of DATA which user wants to transmit cannot be larger than Internal TX memory. If it is larger than MTU, it is automatically divided by MTU unit and transmits.

The Sn\_DIPR0 is set "255.255.255.255" when user wants to broadcast.

```
{/* first, get the free TX memory size */
FREESIZE:
  freesize = Sn_TX_FSR;
  if (freesize < len) goto FREESIZE;    // len is send size
  /* Write the value of remote_ip, remote_port to the SOCKET n Destination IP Address
  Register(Sn_DIPR), SOCKET n Destination Port Register(Sn_DPORT). */
  Sn_DIPR = remote_ip;
  Sn_DPORT = remote_port;
  /* calculate offset address */
  dst_mask = Sn_TX_WR & gSn_TX_MASK;    // dst_mask is offset address
  /* calculate start address(physical address) */
  dst_ptr = gSn_TX_BASE + dst_mask;    // dst_ptr is physical start address
  /* if overflow SOCKET TX memory */
  if ( (dst_mask + len) > (gSn_TX_MASK + 1) )
  {/* copy upper_size bytes of source_address to dst_ptr */
    upper_size = (gSn_TX_MASK + 1) - dst_mask;
    wizmemcpy((0x000000 + source_address), (0xFE0000 + dst_ptr), upper_size);
    /* update source_address */
    source_address += upper_size;
    /* copy left_size bytes of source_address to gSn_TX_BASE */
    left_size = send_size - upper_size;
    wizmemcpy((0x000000 + source_address), (0xFE0000 + gSn_TX_BASE), left_size);
  }
  else
  {/* copy len bytes of source_address to dst_ptr */
    wizmemcpy((0x000000 + source_address), (0xFE0000 + dst_ptr), len);
  }
  /* increase Sn_TX_WR as length of len */
  Sn_TX_WR += len;
  /* set SEND command */
  Sn_CR = SEND;
}
```



■ Check complete sending / Timeout

To transmit the next data, user must check that the prior SEND command is completed. The larger the data size, the more time to complete the SEND command. Therefore, the user must properly divide the data to transmit. The ARP<sub>TO</sub> can occur when user transmits UDP data. If the ARP<sub>TO</sub> is occurred, the UDP data transmission will be failed.

First method :

```

{ /* check SEND command completion */
  while(Sn_IR(SENDOK)=='0') /* wait interrupt of SEND completion */
  { /* check ARPTO */
    if (Sn_IR(TIMEOUT)=='1') Sn_IR(TIMEOUT)='1'; goto Next stage;
  }
  Sn_IR(SENDOK) = '1'; /* clear previous interrupt of SEND completion */
}

```

Second method :

```

{
  If (Sn_CR == 0x00) transmission is completed.
  If (Sn_IR(TIMEOUT bit) == '1') goto next stage;
  /* In this case, if the interrupt of SOCKET n is activated, interrupt occurs. Refer to
  Interrupt Register(IR), Interrupt Mask Register (IMR) and SOCKET n Interrupt Register (Sn_IR).
  */
}

```

■ Check Finished / SOCKET close

If user doesn't need the communication any more, close the SOCKET *n*.

```

{ /* clear remained interrupts */
  Sn_IR = 0x00FF;
  IR(n) = '1';
  /* set CLOSE command */
  Sn_CR = CLOSE;
}

```

### 9.2.2.2 Multicast

The broadcast communication communicates with many and unspecified others. But the multicast communication communicates with many but specified others who registered at multicast-group. Suppose that A, B and C are registered at specified multicast-group. If user transmits data to multicast-group (contains A), the B and C also receive the DATA for A. To use multicast communication, the destination list registers to multicast-group by using IGMP

protocol. The multicast-group consists of 'Group hardware address', 'Group IP address' and 'Group port number'. User cannot change the 'Group hardware address' and 'Group IP address'. But the 'Group port number' can be changed to what user wants.

The 'Group hardware address' is selected at the assigned range (From "01:00:5e:00:00:00" to "01:00:5e:7f:ff:ff") and the 'Group IP address' is selected in D-class IP address (From "224.0.0.0" to "239.255.255.255", please refer to the website; <http://www.iana.org/assignments/multicast-addresses>). When selecting, the upper 23bit of 6bytes 'Group hardware address' and the 4bytes 'Group IP address' must be the same. For example, if the user selects the 'Group IP address' to "244.1.1.11", the 'Group hardware address' is selected to "01:00:5e:01:01:0b". Please refer to the "RFC1112" (<http://www.ietf.org/rfc.html>).

In the W7100A, IGMP processing to register the multicast-group is internally (automatically) processed. When the user opens the SOCKET *n* with multicast mode, the "Join" message is internally transmitted. If the user closes it, the "Leave" message is internally transmitted. After the SOCKET opens, the "Report" message is periodically and internally transmitted when the user communicates.

The W7100A support IGMP version 1 and version 2 only. If user wants use an updated version, the host processes IGMP directly by using the IPRAW mode SOCKET.

#### ■ SOCKET Initialization

Choose one SOCKET for multicast communication among 8 SOCKETS of W7100A. Then set the Sn\_DHAR0 to 'Multicast-group hardware address' and set the Sn\_DIPR0 to 'Multicast-group IP address'. Then set the Sn\_PORT0 and Sn\_DPORT0 to 'Multicast-group port number'. Then set the Sn\_MR(P3:P0) to UDP and set the Sn\_MR(MULTI) to '1'. Finally execute OPEN command. If the state of Sn\_SR is changed to SOCK\_UDP after the OPEN command, the SOCKET initialization is completed.

```
{
START:
    /* set Multicast-Group information */
    Sn_DHAR0 = 0x01;    /* set Multicast-Group H/W address(01:00:5e:01:01:0b) */
    Sn_DHAR1 = 0x00;
    Sn_DHAR2 = 0x5E;
    Sn_DHAR3 = 0x01;
    Sn_DHAR4 = 0x01;
    Sn_DHAR5 = 0x0B;
    Sn_DIPR0 = 211;    /* set Multicast-Group IP address(211.1.1.11) */
    Sn_DIPR1 = 1;
    Sn_DIPR2 = 1;
```

```

Sn_DIRP3 = 11;
Sn_DPORT = 0x0BB8; /* set Multicast-Group Port number(3000) */
Sn_PORT = 0x0BB8; /* set Source Port number(3000) */
Sn_MR = 0x02 | 0x80; /* set UDP mode & Multicast on SOCKET n Mode Register */
Sn_CR = OPEN; /* set OPEN command */
/* wait until Sn_SR is changed to SOCK_UDP */
if (Sn_SR != SOCK_UDP) Sn_CR = CLOSE; goto START;
}

```

- Check received data

Refer to the section 9.2.2.1 'Unicast & Broadcast'.

- Receiving process

Refer to the section 9.2.2.1 'Unicast & Broadcast'.

- Check send data / Sending Process

Since the user sets the information about multicast-group at SOCKET initialization, user does not need to set IP address and port number for destination any more. Therefore, copy the transmission data to internal TX memory and executes SEND command.

```

{ /* first, get the free TX memory size */
FREESIZE:
freesize = Sn_TX_FSR;
if (freesize < len) goto FREESIZE; /* len is send size
/* calculate offset address */
dst_mask = Sn_TX_WR & gSn_TX_MASK; /* dst_mask is offset address
/* calculate start address(physical address) */
dst_ptr = gSn_TX_BASE + dst_mask; /* dst_ptr is physical start address
/* if overflow SOCKET TX memory */
if ( (dst_mask + len) > (gSn_TX_MASK + 1) )
{ /* copy upper_size bytes of source_addr to dst_ptr */
upper_size = (gSn_TX_MASK + 1) - dst_mask;
wizmemcpy((0x000000 + source_addr), (0xFE0000 + dst_ptr), upper_size);
/* update source_addr */
source_addr += upper_size;
/* copy left_size bytes of source_addr to gSn_TX_BASE */
left_size = len - upper_size;
wizmemcpy((0x000000 + source_addr), (0xFE0000 + gSn_TX_BASE), left_size);
}
}

```

```
else
  /* copy len bytes of source_addr to dst_ptr */
  wizmemcpy((0x000000 + source_addr), (0xFE0000 + dst_ptr), len);
}
/* increase Sn_TX_WR as length of len */
Sn_TX_WR += send_size;
/* set SEND command */
Sn_CR = SEND;
}
```

- Check complete sending / Timeout

Since the host manages all protocol process for data communication, the timeout cannot occur.

```
/* check SEND command completion */
while(Sn_IR(SENDOK)=='0'); /* wait interrupt of SEND completion */
Sn_IR(SENDOK) = '1';      /* clear previous interrupt of SEND completion */
}
```

- Check finished / SOCKET close

Refer to the section 9.2.2.1 'Unicast & Broadcast'.

### 9.2.3 IPRAW

The IPRAW is data communication using TCP, UDP and IP layers which are the lower protocol layers. The IPRAW supports IP layer protocol such as ICMP (0x01) and IGMP (0x02) according to the protocol number. The 'ping' of ICMP or IGMP v1/v2 is already included in W7100A by hardware logic. But if the user needs, the host can directly process the IPRAW by opening the SOCKET *n* to IPRAW. In the case of using IPRAW mode, user must set the protocol number field of the IP header to what the user wants to use. The protocol number is defined by IANA. Refer to the web (<http://www.iana.org/assignments/protocol-numbers>). The protocol number must be configured to Sn\_PROTO before 'SOCKET open'. In the IPRAW mode, the W7100A does not support TCP (0x06) or UDP (0x11) protocol number. The SOCKET communication of IPRAW mode only allows the communication of an assigned protocol number. The ICMP SOCKET cannot receive unassigned protocol data except assigned protocol data such as IGMP.

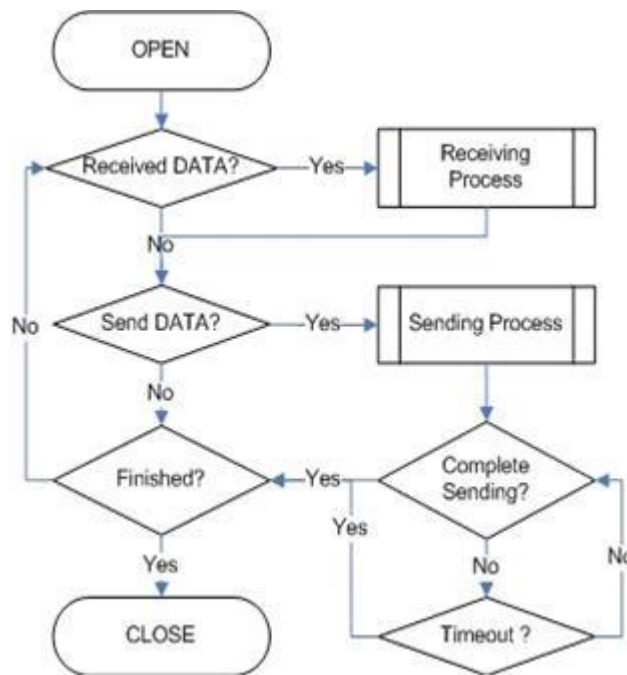


Figure 9.7 IPRAW Operation Flow

#### ■ SOCKET Initialization

Select the SOCKET and set the protocol number. Then set the Sn\_MR(P3:P0) to IPRAW mode and execute 'OPEN' command. If the Sn\_SR is changed to SOCK\_IPRAW after the 'OPEN' command, the SOCKET initialization is completed.

```

{
START:
  /* sets Protocol number, the protocol number is used in Protocol Field of IP Header. */
  Sn_PROTO = protocol_num;
  /* sets IP raw mode */
  Sn_MR = 0x03;
  /* sets OPEN command */
  Sn_CR = OPEN;
  /* wait until Sn_SR is changed to SOCK_IPRAW */
  if (Sn_SR != SOCK_IPRAW) Sn_CR = CLOSE; goto START;
}
  
```

#### ■ Check received data

Refer to the section 9.2.2.1 'Unicast & Broadcast'.

#### ■ Receiving process

Process the IPRAW data which is received in internal RX memory. The structure of received IPRAW data is as below.

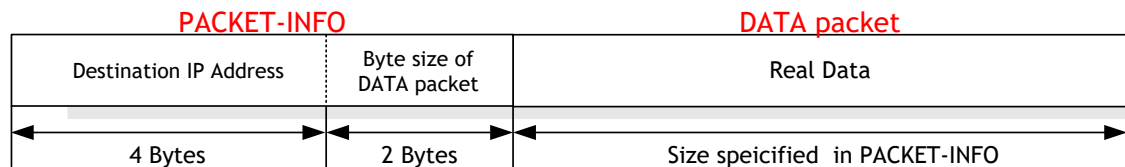


Figure 9.8 The received IPRAW data format

The IPRAW data consists of 6bytes PACKET-INFO and DATA packet. The PACKET-INFO contains information about the transmitter (IP address) and the length of the DATA-packet. The data reception of IPRAW is the same as UDP data reception except processing the port number of the transmitter in UDP PACKET-INFO. Refer to the section 9.2.2.1 'Unicast & Broadcast'.

If the transmitted DATA size is larger than RX memory free size of SOCKET  $n$ , user cannot receive that DATA and also cannot receive fragmented DATA.

- Check send data / Sending process

The size of DATA which user wants to transmit cannot be larger than Internal TX memory and default MTU. The transmission of IPRAW data is the same as transmission of UDP data except setting 'Destination port number'. Refer to the section 9.2.2.1 'Unicast & Broadcast'.

- Complete sending / Timeout

Same as UDP, please refer to the section 9.2.2 'UDP'.

- Check finished / SOCKET closed

Same as UDP, please refer to the section 9.2.2 'UDP'.

## 9.2.4 MACRAW

The MACRAW communication is based on Ethernet MAC, and it can flexibly use upper layer protocol to suit the host's needs.

The MACRAW mode can only be used with a SOCKET. If the user uses the SOCKET in MACRAW mode, not only can it use the SOCKET1-7 in the 'Hardwired TCP/IP stack', but it can also be used as a NIC (Network Interface Controller). Therefore, any SOCKET1-7 can be used with 'Software TCP/IP stack'. Since the W7100A supports 'Hardwired TCP/IP stack' and 'Software TCP/IP stack', it calls 'Hybrid TCP/IP stack'. If user wants more SOCKETS beyond the supported 8 SOCKETS, the SOCKET in which the user wants high performance should be utilizing the "Hardwired TCP/IP stack", and the others should be using 'Software TCP/IP stack' by MACRAW mode. So it overcomes the limited capacity of 8 SOCKETS. The SOCKET of MACRAW mode can process all protocols except using in SOCKET1-7. Since the MACRAW communication is pure Ethernet packet communication (there is no other processing), the MACRAW designer should use the 'Software TCP/IP stack' to process the protocol. The

MACRAW data should basically contain the 6bytes of ‘Source hardware address’, 6bytes of ‘destination hardware address’ and 2bytes of ‘Ethernet type’ because it is based on Ethernet MAC.

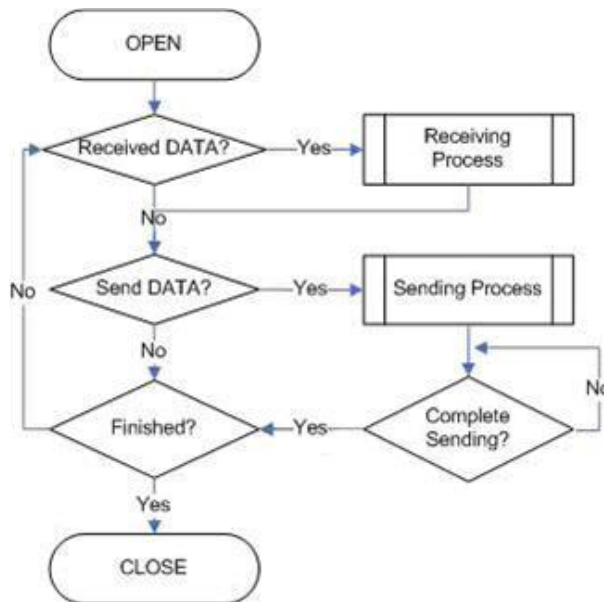


Figure 9.9 MACRAW Operation Flow

#### ■ SOCKET Initialization

Select the SOCKET and set the SN\_MR(P3:P0) to MACRAW mode. Then execute the ‘OPEN’ command. After the ‘OPEN’ command, if the Sn\_SR is successfully changed to ‘SOCK\_MACRAW’, the SOCKET initialization is completed. Since all information about communication (Source hardware address, Source IP address, Source port number, Destination hardware address, Destination IP address, Destination port number, Protocol header, etc.) is in the ‘MACRAW data’, there is no more register setting.

```

{
START:
  /* sets MAC raw mode */
  SO_MR = 0x04;
  /* sets OPEN command */
  SO_CR = OPEN;
  /* wait until Sn_SR is changed to SOCK_MACRAW */
  if (SO_SR != SOCK_MACRAW) SO_CR = CLOSE; goto START;
}
  
```

#### ■ Check received data

Refer to the section 9.2.2.1 ‘Unicast & Broadcast’.

■ Receiving process

Process the MACRAW data of the SOCKET which received it in internal RX memory. The structure of the MACRAW data is as below:

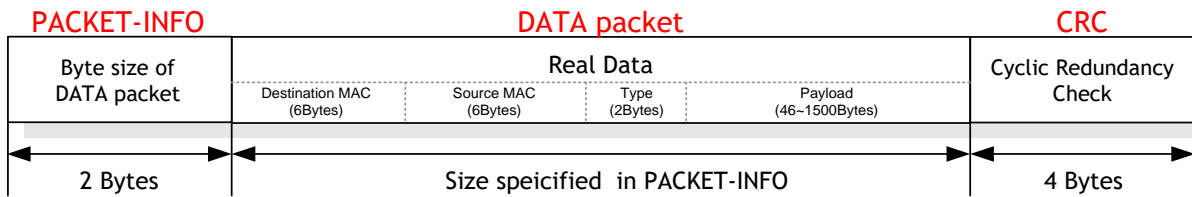


Figure 9.10 The received MACRAW data format

The MACRAW data consists of 'PACKET-INFO', 'DATA packet' and 4bytes CRC. The 'PACKET-INFO' is the length of the DATA packet. The 'DATA packet' consists of 6bytes 'Destination MAC address', 6bytes 'Source MAC address' and 2bytes 'Type', 46-1500 bytes 'Payload'. The 'Payload' of DATA packet consists of Internet protocol such as ARP, IP according to the 'Type'. The details of 'Type' please refer to the web:

(<http://www.iana.org/assignments/ethernet-numbers>)

```

{ /* calculate offset address */
src_mask = S0_RX_RD & gS0_RX_MASK; // src_mask is offset address
/* calculate start address(physical address) */
src_ptr = gS0_RX_BASE + src_mask; // src_ptr is physical start address
/* get the size of packet */
len = get_Byte_sizeof_DATA_packet(); // Read the 2bytes PACKET-INFO
/* if overflow SOCKET RX memory */
If((src_mask + len) > (gS0_RX_MASK + 1))
{ /* copy upper_size bytes of get_start_address to destination_address */
upper_size = (gS0_RX_MASK + 1) - src_mask;
wizmemcpy((0xFE0000 + src_ptr), (0x000000 + destination_address), upper_size);
/* update destination_address */
destination_address += upper_size;
/* copy left_size bytes of gSn_RX_BASE to destination_address */
left_size = len - upper_size;
wizmemcpy((0xFE0000 + src_ptr), (0x000000 + destination_address), left_size);
}
else
{ /* copy len bytes of src_ptr to destination_address */
wizmemcpy((0xFE0000 + src_ptr), (0x000000 + destination_address), len);
}
/* increase Sn_RX_RD as length of len */

```



```

SO_RX_RD += len;
/* extract 4 bytes CRC from internal RX memory and then ignore it */
wizmemcpy((0xFE0000 + src_ptr), (0x000000 + dummy), len);
/* set RECV command */
SO_CR = RECV;
}

```

<Notice>

If the free size of the internal RX memory is smaller than the MACRAW data, a problem may occasionally occur where some parts of that PACKET-INFO and DATA packet are stored to the internal RX memory. Since the problem occurs as an analysis error for PACKET-INFO, it cannot process the MACRAW data correctly. The closer the internal RX memory is to being full, the higher the probability is for an error to occur. This problem can be resolved if user allows some loss of the MACRAW data.

The solution is as follows:

- Process the internal RX memory as fast as possible to prevent that it closes to full.
- Reduce the receiving load by reception only its MACRAW data by setting the MF (MAC Filter) bit of SO\_MR in sample code of SOCKET initialization.

```

{
START:
/* sets MAC raw mode with enabling MAC filter */
SO_MR = 0x44;
/* sets OPEN command */
SO_CR = OPEN;
/* wait until Sn_SR is changed to SOCK_MACRAW */
if (Sn_SR != SOCK_MACRAW) SO_CR = CLOSE; goto START;
}

```

- If the free size of the internal RX memory is smaller than '1528 - Default MTU(1514)+PACKET-INFO(2) + DATA packet(8) + CRC(4)', close the SOCKET and process all received data. Then reopen the SOCKET. After closing the SOCKET, the received MACRAW data from closing time can be lost.

```

/* check the free size of internal RX memory */
if((SO_RXMEM_SIZE(0) * 1024) - SO_RX_RSR(0) < 1528)
{
    received_size = SO_RX_RSR(0); /* backup Sn_RX_RSR */
    SO_CR = CLOSE; /* SOCKET Closed */
    while(SO_SR != SOCK_CLOSED); /* wait until SOCKET is closed */
}

```

```

/* process all data remained in internal RX memory */
while(recved_size > 0)
{
/* calculate offset address */
    src_mask = S0_RX_RD & gS0_RX_MASK;    // src_mask is offset address
    /* calculate start address(physical address) */
    src_ptr = gS0_RX_BASE + src_mask;    // src_ptr is physical start address
    /* if overflow SOCKET RX memory */
    If((src_mask + len) > (gS0_RX_MASK + 1))
    {
/* copy upper_size bytes of get_start_address to destination_address */
        upper_size = (gS0_RX_MASK + 1) - src_mask;
        wizmemcpy((0xFE0000 + src_ptr), (0x000000 + destination_address), upper_size);
        /* update destination_address */
        destination_address += upper_size;
        /* copy left_size bytes of gSn_RX_BASE to destination_address */
        left_size = len - upper_size;
        wizmemcpy((0xFE0000 + src_ptr), (0x000000 + destination_address), left_size);
    }
    else
    {
/* copy len bytes of src_ptr to destination_address */
        wizmemcpy((0xFE0000 + src_ptr), (0x000000 + destination_address), len);
    }
    /* increase Sn_RX_RD as length of len */
    S0_RX_RD += len;
    /* extract 4 bytes CRC from internal RX memory and then ignore it */
    wizmemcpy((0xFE0000 + src_ptr), (0x000000 + dummy), len);
    /* calculate the size of remained data in internal RX memory*/
    recved_size = recved_size - 2 - len - 4;
}

/* Reopen the SOCKET */
/* sets MAC raw mode with enabling MAC filter */
S0_MR = 0x44; /* or S0_MR = 0x04 */
/* sets OPEN command */
S0_CR = OPEN;
/* wait until Sn_SR is changed to SOCK_MACRAW */
while (S0_SR != SOCK_MACRAW);
}
else /* process normally the DATA packet from internal RX memory */
{
/* This block is same as the code of "Receiving process" stage*/

```

```

}
}

```

■ Check send data / Sending process

The size of the data which the user wants to transmit cannot be larger than the internal TX memory and default MTU. The host generates the MACRAW data in the same format as the “Receiving process” data packet, and transmits it. At this time, if the size of the generated data is smaller than 60bytes, the transmitted Ethernet packet internally fills to 60bytes by “Zero padding” and then it is transmitted.

```

{ /* first, get the free TX memory size */
FREESIZE:
    freesize = S0_TX_FSR;
    if (freesize < send_size) goto FREESIZE;
    /* calculate offset address */
    dst_mask = Sn_TX_WR & gSn_TX_MASK; // dst_mask is offset address
    /* calculate start address(physical address) */
    dst_ptr = gSn_TX_BASE + dst_mask; // dst_ptr is physical start address

    /* if overflow SOCKET TX memory */
    if ( (dst_mask + len) > (gSn_TX_MASK + 1) )
    { /* copy upper_size bytes of source_addr to dst_ptr */
        upper_size = (gSn_TX_MASK + 1) - dst_mask;
        wizmemcpy((0x000000 + source_addr), (0xFE0000 + dst_ptr), upper_size);
        /* update source_addr */
        source_addr += upper_size;
        /* copy left_size bytes of source_addr to gSn_TX_BASE */
        left_size = len - upper_size;
        wizmemcpy((0x000000 + source_addr), (0xFE0000 + gS0_TX_BASE), left_size);
    }
    else
    { /* copy len bytes of source_addr to dst_ptr */
        wizmemcpy((0x000000 + source_addr), (0xFE0000 + dst_ptr), len);
    }
    /* increase Sn_TX_WR as length of len */
    S0_TX_WR += send_size;
    /* set SEND command */
    S0_CR = SEND;
}

```

- Check complete sending

Since the host manages all protocol processors to communicate, the timeout can not be occurred.

```
{/* check SEND command completion */  
while(SO_IR(SENDOK)=='0'); /* wait interrupt of SEND completion */  
SO_IR(SENDOK) = '1';      /* clear previous interrupt of SEND completion */  
}
```

- Check finished / SOCKET close

Refer to the section 9.2.2.1 'Unicast & Broadcast'.

## 10 Electrical Specification

### 10.1 Absolute Maximum Ratings

| Symbol    | Parameter             | Rating                    | Unit        |
|-----------|-----------------------|---------------------------|-------------|
| $V_{DD}$  | DC supply voltage     | -0.5 to 3.6               | V           |
| $V_{IN}$  | DC input voltage      | -0.5 to 5.5 (5V tolerant) | V           |
| $V_{OUT}$ | DC output voltage     | 0 to 3.3 (GPIO)           | V           |
|           |                       | -0.5 to 3.6 (Others)      |             |
| $I_{IN}$  | DC input current      | $\pm 5$                   | mA          |
| $I_{OUT}$ | DC output current     | 2 to 8                    | mA          |
| $T_{OP}$  | Operating temperature | -40 to 80                 | $^{\circ}C$ |
| $T_{STG}$ | Storage temperature   | -55 to 125                | $^{\circ}C$ |

**\*COMMENT:** Stressing the device beyond the “Absolute Maximum Ratings” may cause permanent damage.

### 10.2 DC Characteristics

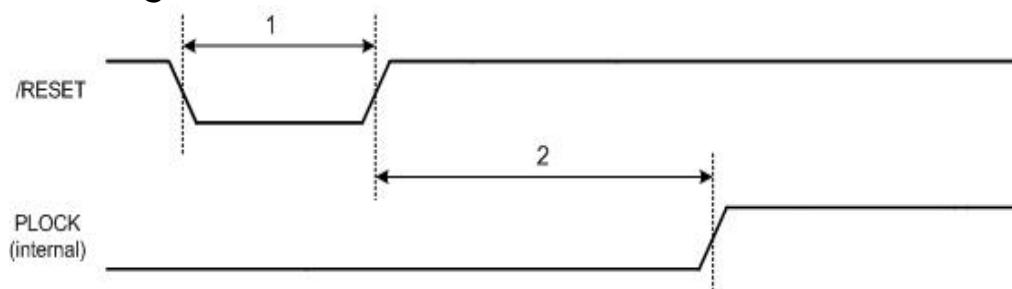
| Symbol    | Parameter                                       | Test Condition                                       | Min  | Typ     | Max | Unit    |
|-----------|-------------------------------------------------|------------------------------------------------------|------|---------|-----|---------|
| $V_{DD}$  | DC Supply voltage                               | Junction temperature $-55^{\circ}C$ - $125^{\circ}C$ | 3.0  | 3.3     | 3.6 | V       |
| $V_{IH}$  | High level input voltage                        |                                                      | 2.0  |         | 5.5 | V       |
| $V_{IL}$  | Low level input voltage                         |                                                      | -0.5 |         | 0.8 | V       |
| $V_{OH}$  | High level output voltage                       | $I_{OH} = 8mA$                                       | 2.4  |         |     | V       |
| $V_{OL}$  | Low level output voltage                        | $I_{OL} = 8mA$                                       |      |         | 0.4 | V       |
| $I_{Ikg}$ | Input Leakage Current                           | $V_{IN} = V_{DD}$ or 0                               | -10  | $\pm 1$ | 10  | $\mu A$ |
|           | Input Leakage Current with pull-up resistance   | $V_{IN} = 0$                                         | -15  | -45     | -85 | $\mu A$ |
|           | Input Leakage Current with pull-down resistance | $V_{IN} = V_{DD}$                                    | 15   | 45      | 85  | $\mu A$ |
| $I_{OZ}$  | Tri-state output leakage current                | $V_{OUT} = V_{DD}$                                   | 2    |         | 8   | $\mu A$ |
| $I_{OL}$  | Low level output current                        | $V_{OL} = 0.8V, 25^{\circ}C, V_{DD} = 3.3V$          |      | 52      |     | mA      |
| $I_{OH}$  | High level output current                       | $V_{OL} = 2.4V, 25^{\circ}C, V_{DD} = 3.3V$          |      | 52      |     | mA      |

### 10.3 Power consumption(Driving voltage 3.3V)

| Symbol           | Parameter           | Test Condition          | Max | Unit |
|------------------|---------------------|-------------------------|-----|------|
| $I_{Boot}$       | Current consumption | Booting                 | 250 | mA   |
| $I_{Idle}$       | Current consumption | Idle state              | 220 | mA   |
| $I_{Active}$     | Current consumption | Whole 8 SOCKETs running | 220 | mA   |
| $I_{Power-down}$ | Current consumption | Power-down mode         | 108 | mA   |

### 10.4 AC Characteristics

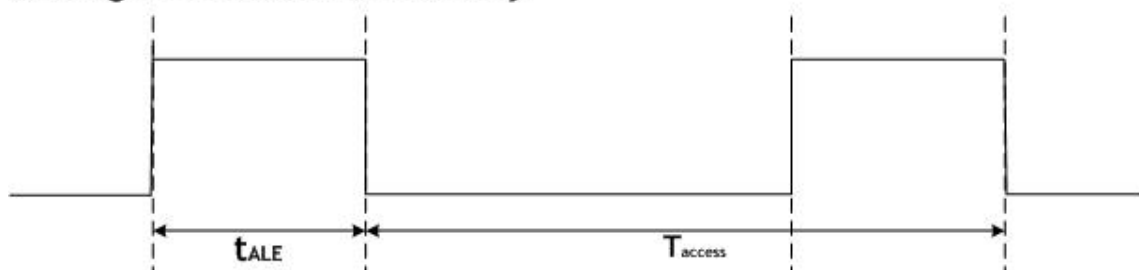
#### Reset Timing



| Description |                  | Min   | Max   |
|-------------|------------------|-------|-------|
| 1           | Reset Cycle Time | 2 us  | -     |
| 2           | PLL Lock-in Time | 50 us | 10 ms |

#### External memory access timing

##### ALE signal for external memory



| Description  |                                                                                  | Min     | Max       |
|--------------|----------------------------------------------------------------------------------|---------|-----------|
| $t_{ALE}$    | ALE signal duration = ALECON register value + 1 clock (clock speed = 88.4736MHz) | 1 clock | 256 clock |
| $T_{access}$ | External memory access period = 3us + EXTWTST register value                     | 3 us    | 744us     |

## 10.5 Crystal Characteristics

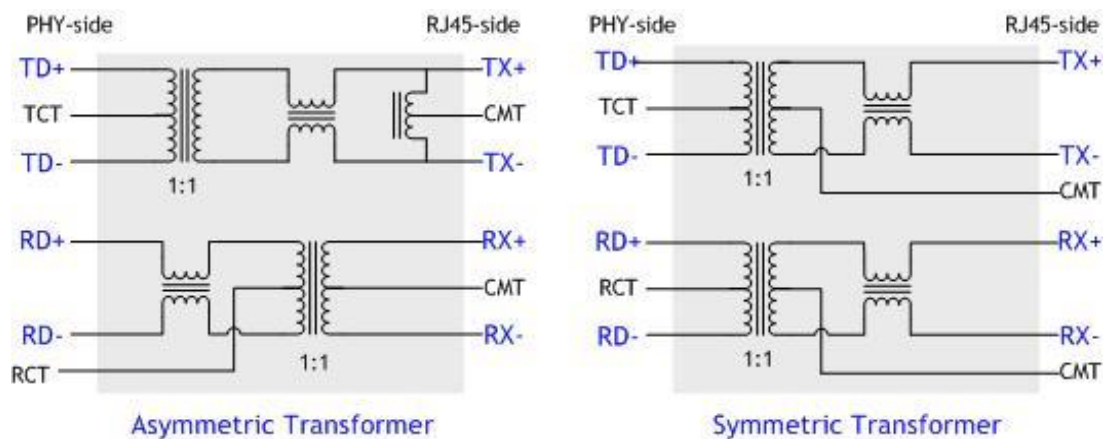
| Parameter                      | Range                     |
|--------------------------------|---------------------------|
| Frequency                      | 25 MHz                    |
| Frequency Tolerance (at 25 °C) | ±30 ppm                   |
| Shunt Capacitance              | 7pF Max                   |
| Drive Level                    | 1 ~ 500uW (100uW typical) |
| Load Capacitance               | 18pF                      |
| Aging (at 25 °C)               | ±3ppm / year Max          |

※ When you use the Oscillator, it should refer to the table below.

| Parameter             | Range     |
|-----------------------|-----------|
| Period jitter         | 120ps Max |
| Cycle-to cycle jitter | 160ps Max |
| Long-term jitter      | 200ps Max |
| Clock duty cycle      | 40 ~ 60%  |

## 10.6 Transformer Characteristics

| Parameter  | Transmit End | Receive End |
|------------|--------------|-------------|
| Turn Ratio | 1:1          | 1:1         |
| Inductance | 350 uH       | 350 uH      |



In the case of using the internal PHY mode, be sure to use symmetric transformer in order to support Auto MDI/MDIX (Crossover).

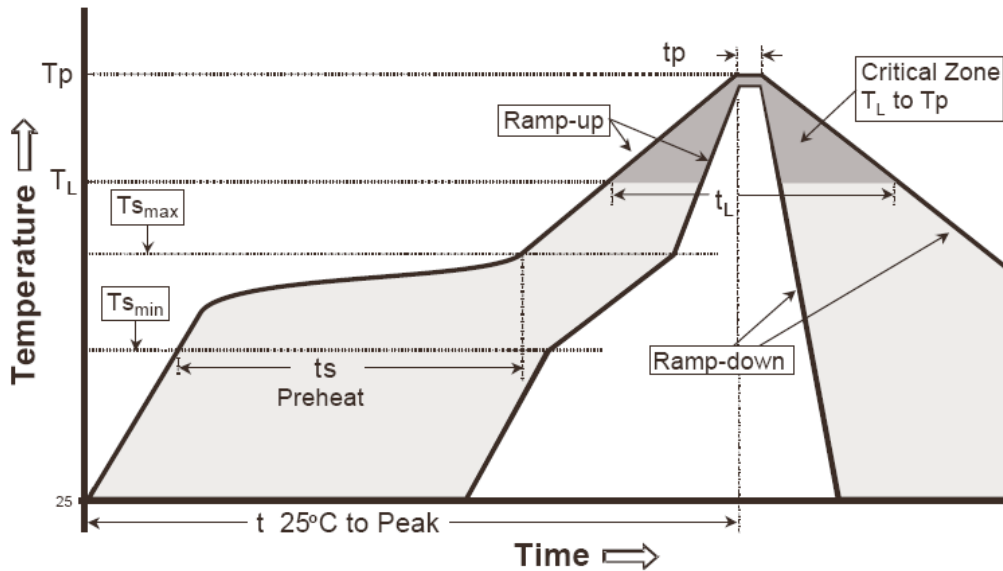
In the case of using the External PHY mode, use the transformer which is suitable for external PHY specification.

## 11 IR Reflow Temperature Profile (Lead-Free)

Moisture Sensitivity Level: 3

Dry Pack Required: Yes

|                                                                                                                                                                                                                                     |                                    |
|-------------------------------------------------------------------------------------------------------------------------------------------------------------------------------------------------------------------------------------|------------------------------------|
| Average RAMP-Up Rate<br>( $T_{s_{max}}$ to $T_p$ )                                                                                                                                                                                  | 3° C/second max.                   |
| Preheat <ul style="list-style-type: none"> <li>- Temperature Min (<math>T_{s_{min}}</math>)</li> <li>- Temperature Max (<math>T_{s_{max}}</math>)</li> <li>- Time (<math>t_{s_{min}}</math> to <math>t_{s_{max}}</math>)</li> </ul> | 150 °C<br>200 °C<br>60-180 seconds |
| Time maintained above: <ul style="list-style-type: none"> <li>- Temperature (<math>T_L</math>)</li> <li>- Time (<math>t_L</math>)</li> </ul>                                                                                        | 217 °C<br>60-150 seconds           |
| Peak/Classification Temperature ( $T_p$ )                                                                                                                                                                                           | 260 + 0 °C                         |
| Time within 5 °C of actual Peak Temperature ( $t_p$ )                                                                                                                                                                               | 20-40 seconds                      |
| RAMP-Down Rate                                                                                                                                                                                                                      | 6 °C/second max.                   |
| Time 25 °C to Peak Temperature                                                                                                                                                                                                      | 8 minutes max.                     |

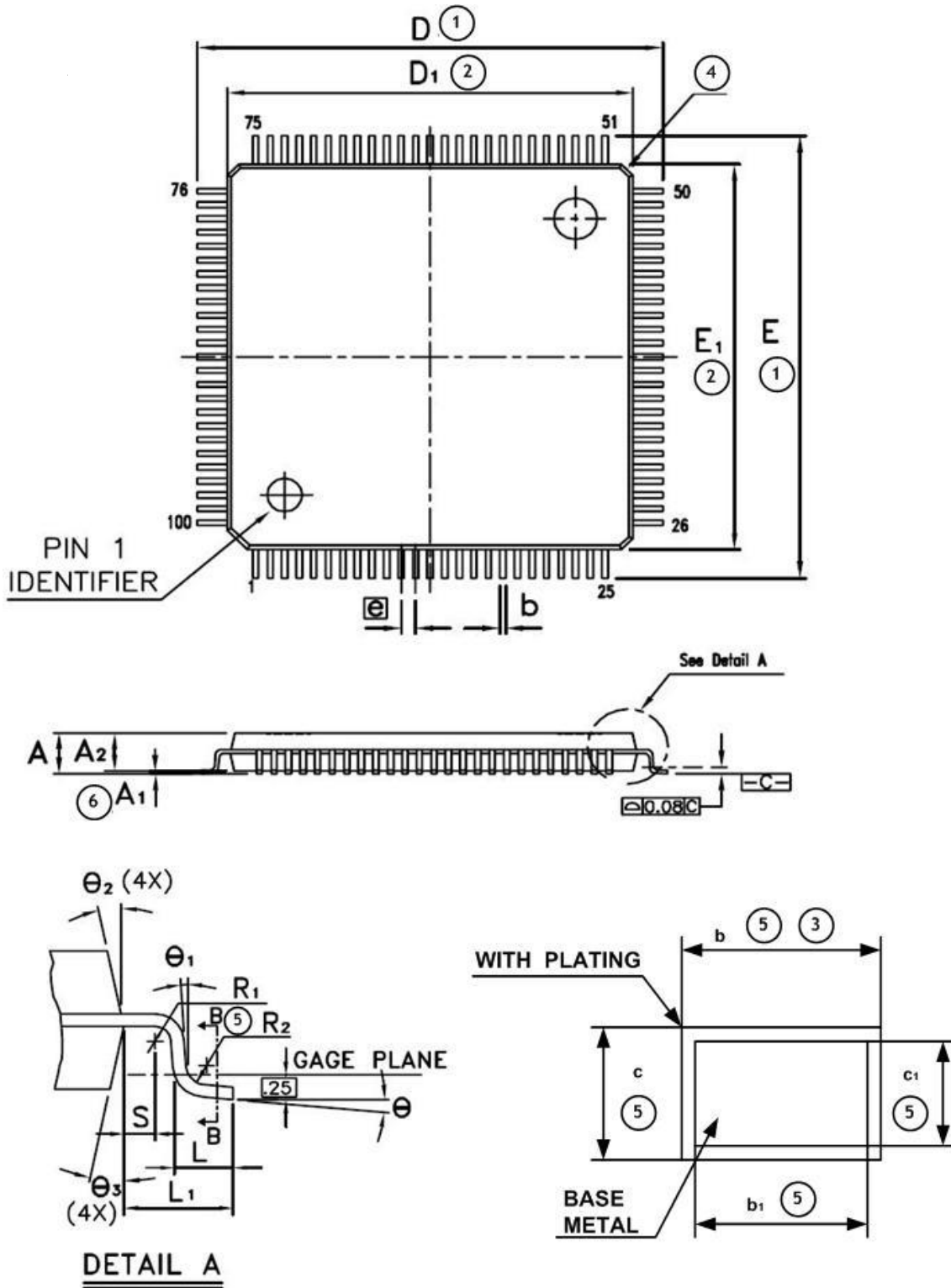


IPC-0206-5-1



## 12 Package Descriptions

### 12.1 Package type: LQFP 100



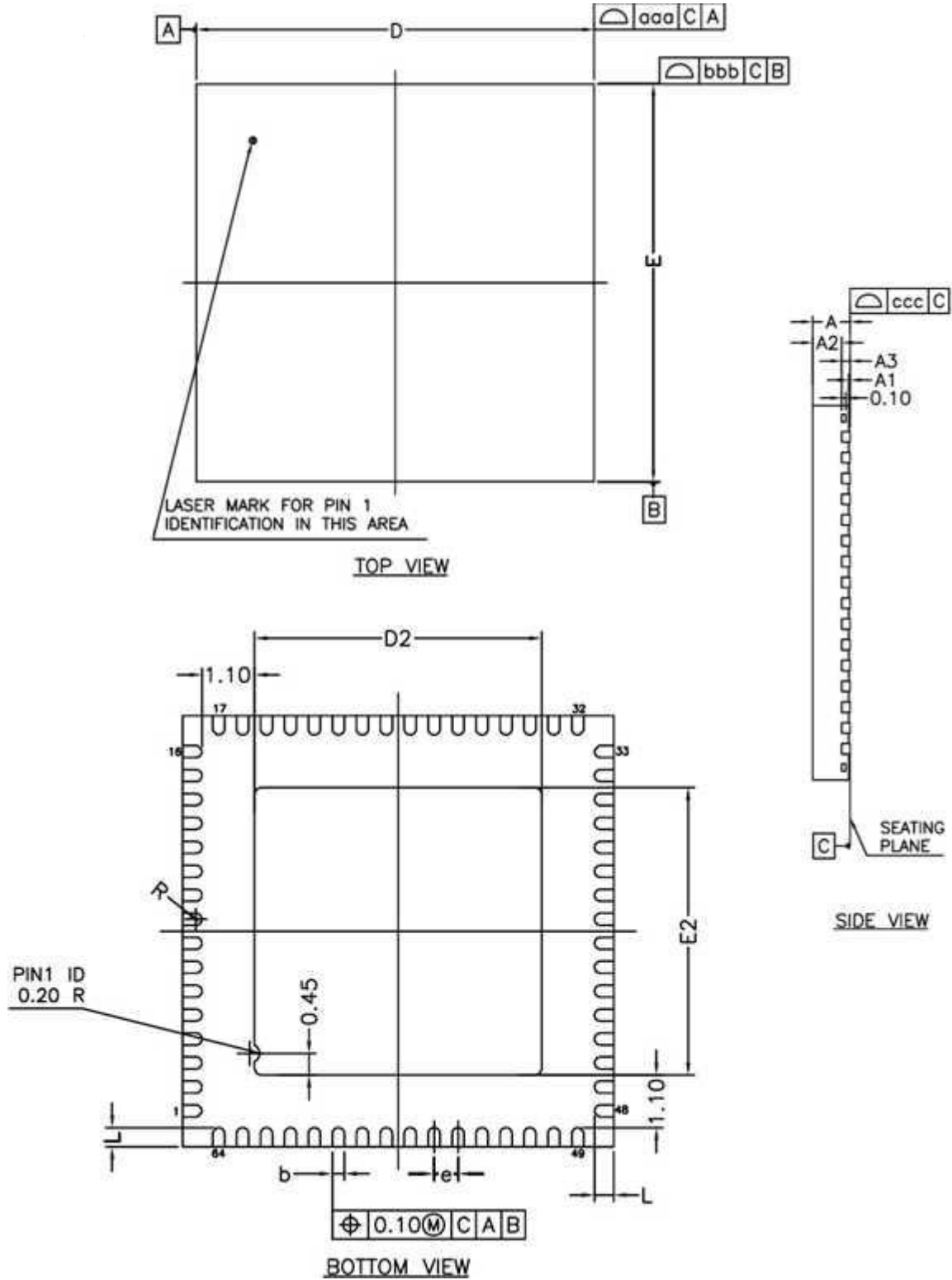
| SYMBOL         | MILLIMETER |       |       | INCH      |       |       |
|----------------|------------|-------|-------|-----------|-------|-------|
|                | MIN.       | NOM.  | MAX.  | MIN.      | NOM.  | MAX.  |
| A              | -          | -     | 1.60  | -         | -     | 0.063 |
| A <sub>1</sub> | 0.05       | -     | 0.15  | 0.002     | -     | 0.006 |
| A <sub>2</sub> | 1.35       | 1.40  | 1.45  | 0.053     | 0.055 | 0.057 |
| b              | 0.17       | 0.22  | 0.27  | 0.007     | 0.009 | 0.011 |
| b <sub>1</sub> | 0.17       | 0.20  | 0.23  | 0.007     | 0.008 | 0.009 |
| c              | 0.09       | -     | 0.20  | 0.004     | -     | 0.008 |
| c <sub>1</sub> | 0.09       | -     | 0.16  | 0.004     | -     | 0.006 |
| D              | 15.85      | 16.00 | 16.15 | 0.624     | 0.630 | 0.636 |
| D <sub>1</sub> | 13.90      | 14.00 | 14.10 | 0.547     | 0.551 | 0.555 |
| E              | 15.85      | 16.00 | 16.15 | 0.624     | 0.630 | 0.636 |
| E <sub>1</sub> | 13.90      | 14.00 | 14.10 | 0.547     | 0.551 | 0.555 |
| $\boxed{e}$    | 0.50 BSC   |       |       | 0.020 BSC |       |       |
| L              | 0.45       | 0.60  | 0.75  | 0.018     | 0.024 | 0.030 |
| L <sub>1</sub> | 1.00 REF   |       |       | 0.039 REF |       |       |
| R <sub>1</sub> | 0.08       | -     | -     | 0.003     | -     | -     |
| R <sub>2</sub> | 0.08       | -     | 0.20  | 0.003     | -     | 0.008 |
| S              | 0.20       | -     | -     | 0.008     | -     | -     |
| $\theta$       | 0°         | 3.5°  | 7°    | 0°        | 3.5°  | 7°    |
| $\theta_1$     | 0°         | -     | -     | 0°        | -     | -     |
| $\theta_2$     | 12° TYP    |       |       | 12° TYP   |       |       |
| $\theta_3$     | 12° TYP    |       |       | 12° TYP   |       |       |

**Note :**

- ① To be determined at seating plane  $\boxed{C}$ .
- ② Dimensions 'D<sub>1</sub>' and 'E<sub>1</sub>' do not include mold protrusion. D<sub>1</sub>' and 'E<sub>1</sub>' are maximum plastic body size dimensions including mold mismatch.
- ③ Dimension 'b' does not include dambar protrusion. Dambar cannot be located on the lower radius or the foot.
- ④ Exact shape of each corner is optional
- ⑤ These Dimensions apply to the flat section of the lead between 0.10mm and 0.25mm from the lead tip.
- ⑥ A<sub>1</sub> is defined as the distance from the seating plane to the lowest point of the package body.
- ⑦ Controlling dimension : Millimeter
- ⑧ Reference Document : JEDEC MS-026 , BED.

## 12.2 Package type: QFN 64

\* CONTROLLING DIMENSION: mm



| SYMBOL                                 | MILLIMETER |       |       | INCH       |       |       |
|----------------------------------------|------------|-------|-------|------------|-------|-------|
|                                        | MIN.       | NOM.  | MAX.  | MIN.       | NOM.  | MAX.  |
| A                                      | -          | -     | 0.90  | -          | -     | 0.035 |
| A1                                     | -          | -     | 0.05  | -          | -     | 0.002 |
| A2                                     | -          | 0.65  | 0.70  | -          | 0.026 | 0.028 |
| A3                                     | 0.200 REF. |       |       | 0.008 REF. |       |       |
| b                                      | 0.18       | 0.25  | 0.30  | 0.007      | 0.010 | 0.012 |
| D                                      | 15.85      | 16.00 | 16.15 | 0.624      | 0.630 | 0.636 |
| D                                      | 9.00 bsc   |       |       | 0.354 bsc  |       |       |
| D2                                     | 5.90       | 6.00  | 6.10  | 0.232      | 0.236 | 0.240 |
| E                                      | 9.00 bsc   |       |       | 0.354 bsc  |       |       |
| E2                                     | 5.90       | 6.00  | 6.10  | 0.232      | 0.236 | 0.240 |
| L                                      | 0.35       | 0.40  | 0.45  | 0.014      | 0.016 | 0.018 |
| e                                      | 0.50 bsc   |       |       | 0.020 bsc  |       |       |
| R                                      | 0.09       | -     | -     | 0.004      | -     | -     |
| <b>TOLERANCES OF FORM AND POSITION</b> |            |       |       |            |       |       |
| aaa                                    | 0.10       |       |       | 0.004      |       |       |
| bbb                                    | 0.10       |       |       | 0.004      |       |       |
| ccc                                    | 0.05       |       |       | 0.002      |       |       |

**Note:**

- ① All dimensions are in millimeters.
- ② Die thickness allowable is 0.305mm maximum (0.012 inches maximum).
- ③ Dimensioning & tolerances conform to ASME Y14.5M. -1994.
- ④ The pin #1 identifier must be placed on the top surface of the package by using indentation mark of other feature of package body.
- ⑤ Exact shape and size of this feature is optional.
- ⑥ Package WARPAGE max 0.08mm.
- ⑦ Applied for exposed pad and terminals, exclude embedding part of exposed pad from measuring.
- ⑧ Applied to terminals.

## 13 Appendix: Performance Improvement about W7100A

This section presents the benefits gained about calculation by using W7100A over standard 8051 family.

### 13.1 Summary

The 8-bit operation cycles of the 80C51 and W7100A with addition, subtraction, multiplication and division are as below. It is briefly shows its performance. The W7100A with 'wizmemcpy' (supported by WIZnet) function is almost 9 times faster than the 80C51.

|     | 80C51 cycle | W7100A cycle / with user code | W7100A cycle / with wizmemcpy |
|-----|-------------|-------------------------------|-------------------------------|
| ADD | 36          | 12                            | 4                             |
| SUB | 36          | 12                            | 4                             |
| MUL | 96          | 12                            | 6                             |
| DIV | 96          | 20                            | 10                            |

In the succeeded section shows more detail performance.

### 13.2 8-Bit Arithmetic Functions

#### 13.2.1 Addition

- Immediate data

The following code performs immediate data (constant) addition to an 8-bit register.

$RX = RX + \#n$

| Mnemonic  | Opcode    | Byte | 80C51 Cycle | W7100A Cycle    |                   |
|-----------|-----------|------|-------------|-----------------|-------------------|
|           |           |      |             | ISP / wizmemcpy | FLASH / user code |
| MOV A, Rx | E8h - EFh | 1    | 12          | 1               | 4                 |
| ADD A, #n | 24h       | 2    | 12          | 2               | 4                 |
| MOV Rx, A | F8h - FFh | 1    | 12          | 1               | 4                 |
| Sum :     |           |      | 36          | 4               | 12                |

**Note.** 'wizmemcpy' function are built-in inside Boot ROM in W7100A. Refer to the 'Driver Guide.'

- Direct addressing

The following code performs direct addressing addition to an 8-bit register.

$Rx = Rx + (\text{dir})$

| Mnemonic | Opcode | Byte      | 80C51 Cycle | W7100A Cycle       |                      |    |
|----------|--------|-----------|-------------|--------------------|----------------------|----|
|          |        |           |             | ISP /<br>wizmemcpy | FLASH /<br>user code |    |
| MOV      | A, Rx  | E8h - EFh | 1           | 12                 | 1                    | 4  |
| ADD      | A, dir | 25h       | 2           | 12                 | 2                    | 4  |
| MOV      | Rx, A  | F8h - FFh | 1           | 12                 | 1                    | 4  |
| Sum :    |        |           |             | 36                 | 4                    | 12 |

■ Indirect addressing

The following code performs indirect addressing addition to an 8-bit register.

$Rx = Rx + (@Rx)$

| Mnemonic | Opcode | Byte      | 80C51 Cycle | W7100A Cycle       |                      |    |
|----------|--------|-----------|-------------|--------------------|----------------------|----|
|          |        |           |             | ISP /<br>wizmemcpy | FLASH /<br>user code |    |
| MOV      | A, Rx  | E8h - EFh | 1           | 12                 | 1                    | 4  |
| ADD      | A, @Rx | 26h - 27h | 1           | 12                 | 2                    | 4  |
| MOV      | Rx, A  | F8h - FFh | 1           | 12                 | 1                    | 4  |
| Sum :    |        |           |             | 36                 | 4                    | 12 |

■ Register addressing

The following code performs an 8-bit register to register addition.

$Rx = Rx + Ry$

| Mnemonic | Opcode | Byte      | 80C51 Cycle | W7100A Cycle       |                      |    |
|----------|--------|-----------|-------------|--------------------|----------------------|----|
|          |        |           |             | ISP /<br>wizmemcpy | FLASH /<br>user code |    |
| MOV      | A, Rx  | E8h - EFh | 1           | 12                 | 1                    | 4  |
| ADD      | A, Ry  | 28h - 2Fh | 1           | 12                 | 1                    | 4  |
| MOV      | Rx, A  | F8h - FFh | 1           | 12                 | 1                    | 4  |
| Sum :    |        |           |             | 36                 | 3                    | 12 |

## 13.2.2 Subtraction

### ■ Immediate data

The following code performs immediate data (constant) subtraction from an 8-bit register.

$$Rx = Rx - \#n$$

| Mnemonic | Opcode | Byte      | 80C51 Cycle | W7100A Cycle       |                      |    |
|----------|--------|-----------|-------------|--------------------|----------------------|----|
|          |        |           |             | ISP /<br>wizmemcpy | FLASH /<br>user code |    |
| MOV      | A, Rx  | E8h - EFh | 1           | 12                 | 1                    | 4  |
| SUBB     | A, #n  | 24h       | 2           | 12                 | 2                    | 4  |
| MOV      | Rx, A  | F8h - FFh | 1           | 12                 | 1                    | 4  |
| Sum :    |        |           |             | 36                 | 4                    | 12 |

### ■ Direct addressing

The following code performs direct addressing subtraction from an 8-bit register.

$$Rx = Rx - (\text{dir})$$

| Mnemonic | Opcode | Byte      | 80C51 Cycle | W7100A Cycle       |                      |    |
|----------|--------|-----------|-------------|--------------------|----------------------|----|
|          |        |           |             | ISP /<br>wizmemcpy | FLASH /<br>user code |    |
| MOV      | A, Rx  | E8h - EFh | 1           | 12                 | 1                    | 4  |
| SUBB     | A, dir | 25h       | 2           | 12                 | 2                    | 4  |
| MOV      | Rx, A  | F8h - FFh | 1           | 12                 | 1                    | 4  |
| Sum :    |        |           |             | 36                 | 4                    | 12 |

### ■ Indirect addressing subtraction

The following code performs indirect addressing subtraction from an 8-bit register.

$$Rx = Rx - (@Ry)$$

| Mnemonic | Opcode | Byte      | 80C51 Cycle | W7100A Cycle       |                      |    |
|----------|--------|-----------|-------------|--------------------|----------------------|----|
|          |        |           |             | ISP /<br>wizmemcpy | FLASH /<br>user code |    |
| MOV      | A, Rx  | E8h - EFh | 1           | 12                 | 1                    | 4  |
| SUBB     | A, @Ry | 26h - 27h | 1           | 12                 | 2                    | 4  |
| MOV      | Rx, A  | F8h - FFh | 1           | 12                 | 1                    | 4  |
| Sum :    |        |           |             | 36                 | 4                    | 12 |

### ■ Register addressing subtraction

The following code performs an 8-bit register from register subtraction.

Rx = Rx - Ry

| Mnemonic | Opcode | Byte      | 80C51 Cycle | W7100A Cycle       |                      |    |
|----------|--------|-----------|-------------|--------------------|----------------------|----|
|          |        |           |             | ISP /<br>wizmemcpy | FLASH /<br>user code |    |
| MOV      | A, Rx  | E8h - EFh | 1           | 12                 | 1                    | 4  |
| SUBB     | A, Ry  | 28h - 2Fh | 1           | 12                 | 1                    | 4  |
| MOV      | Rx, A  | F8h - FFh | 1           | 12                 | 1                    | 4  |
| Sum :    |        |           |             | 36                 | 3                    | 12 |

### 13.2.3 Multiplication

The following code performs the 8-bit register multiplication.

Rx = Rx \* Ry

| Mnemonic | Opcode | Byte      | 80C51 Cycle | W7100A Cycle       |                      |    |
|----------|--------|-----------|-------------|--------------------|----------------------|----|
|          |        |           |             | ISP /<br>wizmemcpy | FLASH /<br>user code |    |
| MOV      | A, Rx  | E8h - EFh | 1           | 12                 | 1                    | 4  |
| MOV      | B, Ry  | 88h - 8Fh | 2           | 24                 | 2                    | 4  |
| MUL      | AB     | A4h       | 1           | 48                 | 2                    | 4  |
| MOV      | Rx, A  | F8h - FFh | 1           | 12                 | 1                    | 4  |
| Sum :    |        |           |             | 96                 | 6                    | 12 |

### 13.2.4 Division

The following code performs the 8-bit register division.

Rx = Rx / Ry

| Mnemonic | Opcode | Byte      | 80C51 Cycle | W7100A Cycle       |                      |    |
|----------|--------|-----------|-------------|--------------------|----------------------|----|
|          |        |           |             | ISP /<br>wizmemcpy | FLASH /<br>user code |    |
| MOV      | A, Rx  | E8h - EFh | 1           | 12                 | 1                    | 4  |
| MOV      | B, Ry  | 88h - 8Fh | 2           | 24                 | 2                    | 4  |
| DIV      | AB     | 84h       | 1           | 48                 | 6                    | 8  |
| MOV      | Rx, A  | F8h - FFh | 1           | 12                 | 1                    | 4  |
| Sum :    |        |           |             | 96                 | 10                   | 20 |

## 13.3 16-Bit Arithmetic Functions

### 13.3.1 Addition

The following code performs 16-bit addition. The first operand and result are located in registers pair RaRb. The second operand is located in registers pair RxRy.



$RaRb = RaRb + RxRy$

| Mnemonic | Opcode | Byte      | 80C51 Cycle | W7100A Cycle       |                      |    |
|----------|--------|-----------|-------------|--------------------|----------------------|----|
|          |        |           |             | ISP /<br>wizmemcpy | FLASH /<br>user code |    |
| MOV      | A, Rb  | E8h - EFh | 1           | 12                 | 1                    | 4  |
| ADD      | A, Ry  | 28h - 2Fh | 1           | 12                 | 1                    | 4  |
| MOV      | Rb, A  | F8h - FFh | 1           | 12                 | 1                    | 4  |
| MOV      | A, Ra  | E8h - EFh | 1           | 12                 | 1                    | 4  |
| ADDC     | A, Rx  | 38h - 3Fh | 1           | 12                 | 1                    | 4  |
| MOV      | Ra, A  | F8h - FFh | 1           | 12                 | 1                    | 4  |
| Sum :    |        |           |             | 72                 | 6                    | 24 |

### 13.3.2 Subtraction

The following code performs 16-bit subtraction. The first operand and result are located in registers pair RaRb. The second operand is located in registers pair RxRy.

$RaRb = RaRb - RxRy$

| Mnemonic | Opcode | Byte      | 80C51 Cycle | W7100A Cycle       |                      |    |
|----------|--------|-----------|-------------|--------------------|----------------------|----|
|          |        |           |             | ISP /<br>wizmemcpy | FLASH /<br>user code |    |
| CLR      | C      | C3h       | 1           | 12                 | 1                    | 4  |
| MOV      | A, Rb  | E8h - EFh | 1           | 12                 | 1                    | 4  |
| SUBB     | A, Ry  | 98h - 9Fh | 1           | 12                 | 1                    | 4  |
| MOV      | Rb, A  | F8h - FFh | 1           | 12                 | 1                    | 4  |
| MOV      | A, Ra  | E8h - EFh | 1           | 12                 | 1                    | 4  |
| SUBB     | A, Rx  | 98h - 9Fh | 1           | 12                 | 1                    | 4  |
| MOV      | Ra, A  | F8h - FFh | 1           | 12                 | 1                    | 4  |
| Sum :    |        |           |             | 84                 | 7                    | 28 |

### 13.3.3 Multiplication

The following code performs 16-bit multiplication. The first operand and result are located in registers pair RaRb. The second operand is located in registers pair RxRy.

$RaRb = RaRb * RxRy$

| Mnemonic | Opcode | Byte      | 80C51 Cycle | W7100A Cycle       |                      |   |
|----------|--------|-----------|-------------|--------------------|----------------------|---|
|          |        |           |             | ISP /<br>wizmemcpy | FLASH /<br>user code |   |
| MOV      | A, Rb  | E8h - EFh | 1           | 12                 | 1                    | 4 |

|       |       |           |   |     |    |    |
|-------|-------|-----------|---|-----|----|----|
| MOV   | B, Ry | 88h - 8Fh | 2 | 24  | 2  | 4  |
| MUL   | AB    | A4h       | 1 | 48  | 2  | 4  |
| MOV   | Rz, B | A8h - AFh | 2 | 24  | 3  | 4  |
| XCH   | A, Rb | C8h - CFh | 1 | 12  | 2  | 4  |
| MOV   | B, Rx | 88h - 8Fh | 2 | 24  | 2  | 4  |
| MUL   | AB    | A4h       | 1 | 48  | 2  | 4  |
| ADD   | A, Rz | 28h - 2Fh | 1 | 12  | 1  | 4  |
| XCH   | A, Ra | C8h - CFh | 1 | 12  | 2  | 4  |
| MOV   | B, Ry | 88h - 8Fh | 2 | 24  | 2  | 4  |
| MUL   | AB    | A4h       | 1 | 48  | 2  | 4  |
| ADD   | A, Ra | 28h - 2Fh | 1 | 12  | 1  | 4  |
| MOV   | Ra, A | F8h - FFh | 1 | 12  | 1  | 4  |
| Sum : |       |           |   | 312 | 23 | 52 |

## 13.4 32-bit Arithmetic Functions

### 13.4.1 Addition

The following code performs 32-bit addition. The first operand and result are located in four registers RaRbRcRd. The second operand is located in four registers RvRxRyRz.

$$RaRbRcRd = RaRbRcRd + RvRxRyRz$$

| Mnemonic | Opcode | Byte      | 80C51 Cycle | W7100A Cycle       |                      |    |
|----------|--------|-----------|-------------|--------------------|----------------------|----|
|          |        |           |             | ISP /<br>wizmemcpy | FLASH /<br>user code |    |
| MOV      | A, Rd  | E8h - EFh | 1           | 12                 | 4                    |    |
| ADD      | A, Rz  | 28h - 2Fh | 1           | 12                 | 4                    |    |
| MOV      | Rd, A  | F8h - FFh | 1           | 12                 | 4                    |    |
| MOV      | A, Rc  | E8h - EFh | 1           | 12                 | 4                    |    |
| ADDC     | A, Ry  | 38h - 3Fh | 1           | 12                 | 4                    |    |
| MOV      | Rc, A  | F8h - FFh | 1           | 12                 | 4                    |    |
| MOV      | A, Rb  | E8h - EFh | 1           | 12                 | 4                    |    |
| ADDC     | A, Rx  | 38h - 3Fh | 1           | 12                 | 4                    |    |
| MOV      | Rb, A  | F8h - FFh | 1           | 12                 | 4                    |    |
| MOV      | A, Ra  | E8h - EFh | 1           | 12                 | 4                    |    |
| ADDC     | A, Rv  | 38h - 3Fh | 1           | 12                 | 4                    |    |
| MOV      | Ra, A  | F8h - FFh | 1           | 12                 | 4                    |    |
| Sum :    |        |           |             | 144                | 12                   | 48 |

### 13.4.2 Subtraction

The following code performs 32-bit subtraction. The first operand and result are located in four registers RaRbRcRd. The second operand is located in four registers RvRxRyRz.

$$\text{RaRbRcRd} = \text{RaRbRcRd} - \text{RvRxRyRz}$$

| Mnemonic | Opcode | Byte      | 80C51 Cycle | W7100A Cycle       |                      |    |
|----------|--------|-----------|-------------|--------------------|----------------------|----|
|          |        |           |             | ISP /<br>wizmemcpy | FLASH /<br>user code |    |
| CLR      | C      | C3h       | 1           | 12                 | 1                    | 4  |
| MOV      | A, Rd  | E8h - EFh | 1           | 12                 | 1                    | 4  |
| SUBB     | A, Rz  | 98h - 9Fh | 1           | 12                 | 1                    | 4  |
| MOV      | Rd, A  | F8h - FFh | 1           | 12                 | 2                    | 4  |
| MOV      | A, Rc  | E8h - EFh | 1           | 12                 | 1                    | 4  |
| SUBB     | A, Ry  | 98h - 9Fh | 1           | 12                 | 2                    | 4  |
| MOV      | Rc, A  | F8h - FFh | 1           | 12                 | 2                    | 4  |
| MOV      | A, Rb  | E8h - EFh | 1           | 12                 | 1                    | 4  |
| SUBB     | A, Rx  | 98h - 9Fh | 1           | 12                 | 1                    | 4  |
| MOV      | Rb, A  | F8h - FFh | 1           | 12                 | 1                    | 4  |
| MOV      | A, Ra  | E8h - EFh | 1           | 12                 | 1                    | 4  |
| SUBB     | A, Rv  | 98h - 9Fh | 1           | 12                 | 1                    | 4  |
| MOV      | Ra, A  | F8h - FFh | 1           | 12                 | 1                    | 4  |
| Sum :    |        |           |             | 156                | 13                   | 52 |

### 13.4.3 Multiplication

The following code performs 32-bit multiplication. The first operand and result are located in four registers RaRbRcRd. The second operand is located in four registers RvRxRyRz.

$$\text{RaRbRcRd} = \text{RaRbRcRd} * \text{RvRxRyRz}$$

| Mnemonic | Opcode | Byte      | 80C51 Cycle | W7100A Cycle       |                      |   |
|----------|--------|-----------|-------------|--------------------|----------------------|---|
|          |        |           |             | ISP /<br>wizmemcpy | FLASH /<br>user code |   |
| MOV      | A, R0  | E8h - EFh | 1           | 12                 | 1                    | 4 |
| MOV      | B, R7  | 88h - 8Fh | 2           | 24                 | 2                    | 4 |
| MUL      | AB     | A4h       | 1           | 48                 | 2                    | 4 |
| XCH      | A, R4  | C8h - CFh | 1           | 12                 | 2                    | 4 |
| MOV      | B, R3  | 88h - 8Fh | 2           | 24                 | 2                    | 4 |
| MUL      | AB     | A4h       | 1           | 48                 | 2                    | 4 |
| ADD      | A, R4  | 28h - 2Fh | 1           | 12                 | 1                    | 4 |
| MOV      | R4, A  | F8h - FFh | 1           | 12                 | 1                    | 4 |

|      |       |           |   |    |   |   |
|------|-------|-----------|---|----|---|---|
| MOV  | A, R1 | E8h - EFh | 1 | 12 | 1 | 4 |
| MOV  | B, R6 | 88h - 8Fh | 2 | 24 | 2 | 4 |
| MUL  | AB    | A4h       | 1 | 48 | 2 | 4 |
| ADD  | A, R4 | 28h - 2Fh | 1 | 12 | 1 | 4 |
| MOV  | R4, A | F8h - FFh | 1 | 12 | 1 | 4 |
| MOV  | B, R2 | 88h - 8Fh | 2 | 24 | 2 | 4 |
| MOV  | A, R5 | E8h - EFh | 1 | 12 | 2 | 4 |
| MUL  | AB    | A4h       | 1 | 48 | 2 | 4 |
| ADD  | A, R4 | 28h - 2Fh | 1 | 12 | 1 | 4 |
| MOV  | R4, A | F8h - FFh | 1 | 12 | 1 | 4 |
| MOV  | A, R2 | E8h - EFh | 1 | 12 | 1 | 4 |
| MOV  | B, R6 | 88h - 8Fh | 2 | 24 | 2 | 4 |
| MUL  | AB    | A4h       | 1 | 48 | 2 | 4 |
| XCH  | A, R5 | C8h - CFh | 1 | 12 | 2 | 4 |
| MOV  | R0, B | A8h - AFh | 2 | 24 | 3 | 4 |
| MOV  | B, R3 | 88h - 8Fh | 2 | 24 | 2 | 4 |
| MUL  | AB    | A4h       | 1 | 48 | 2 | 4 |
| ADD  | A, R5 | 28h - 2Fh | 1 | 12 | 1 | 4 |
| XCH  | A, R4 | C8h - CFh | 1 | 12 | 2 | 4 |
| ADDC | A, R0 | 38h - 3Fh | 1 | 12 | 1 | 4 |
| ADD  | A, B  | 25h       | 2 | 12 | 2 | 4 |
| MOV  | R5, A | F8h - FFh | 1 | 12 | 1 | 4 |
| MOV  | A, R1 | E8h - EFh | 1 | 12 | 1 | 4 |
| MOV  | B, R7 | 88h - 8Fh | 2 | 24 | 2 | 4 |
| MUL  | AB    | A4h       | 1 | 48 | 2 | 4 |
| ADD  | A, R4 | 28h - 2Fh | 1 | 12 | 1 | 4 |
| XCH  | A, R5 | C8h - CFh | 1 | 12 | 2 | 4 |
| ADDC | A, B  | 35h       | 2 | 12 | 2 | 4 |
| MOV  | R4, A | F8h - FFh | 1 | 12 | 1 | 4 |
| MOV  | A, R3 | E8h - EFh | 1 | 12 | 1 | 4 |
| MOV  | B, R6 | 88h - 8Fh | 2 | 24 | 2 | 4 |
| MUL  | AB    | A4h       | 1 | 48 | 2 | 4 |
| MOV  | R6, A | F8h - FFh | 1 | 12 | 1 | 4 |
| MOV  | R1, B | A8h - AFh | 2 | 24 | 3 | 4 |
| MOV  | A, R3 | E8h - EFh | 1 | 12 | 1 | 4 |
| MOV  | B, R7 | 88h - 8Fh | 2 | 24 | 2 | 4 |
| MUL  | AB    | A4h       | 1 | 48 | 2 | 4 |

|       |       |           |   |      |    |     |
|-------|-------|-----------|---|------|----|-----|
| XCH   | A, R7 | C8h - CFh | 1 | 12   | 2  | 4   |
| XCH   | A, B  | C5h       | 2 | 12   | 3  | 4   |
| ADD   | A, R6 | 28h - 2Fh | 1 | 12   | 1  | 4   |
| XCH   | A, R5 | C8h - CFh | 1 | 12   | 2  | 4   |
| ADDC  | A, R1 | 38h - 3Fh | 1 | 12   | 1  | 4   |
| MOV   | R6, A | F8h - FFh | 1 | 12   | 1  | 4   |
| CLR   | A     | E4h       | 1 | 12   | 1  | 4   |
| ADDC  | A, R4 | 38h - 3Fh | 1 | 12   | 1  | 4   |
| MOV   | R4, A | F8h - FFh | 1 | 12   | 1  | 4   |
| MOV   | A, R2 | E8h - EFh | 1 | 12   | 1  | 4   |
| MUL   | AB    | A4h       | 1 | 48   | 2  | 4   |
| ADD   | A, R5 | 28h - 2Fh | 1 | 12   | 1  | 4   |
| XCH   | A, R6 | C8h - CFh | 1 | 12   | 2  | 4   |
| ADDC  | A, B  | 38h - 3Fh | 2 | 12   | 2  | 4   |
| MOV   | R5, A | F8h - FFh | 1 | 12   | 1  | 4   |
| CLR   | A     | E4h       | 1 | 12   | 1  | 4   |
| ADDC  | A, R4 | 38h - 3Fh | 1 | 12   | 1  | 4   |
| MOV   | R4, A | F8h - FFh | 1 | 12   | 1  | 4   |
| Sum : |       |           |   | 1248 | 99 | 252 |

## Document History Information

| Version        | Date      | Descriptions                                                                                                                                                                                                                                                                         |
|----------------|-----------|--------------------------------------------------------------------------------------------------------------------------------------------------------------------------------------------------------------------------------------------------------------------------------------|
| Ver.0.9.1 Beta | Sep. 2009 | Release with W7100 launching                                                                                                                                                                                                                                                         |
| Ver.0.9.2      | Dec. 2009 | <ol style="list-style-type: none"> <li>Deleted “How to program FLASH memory in W7100” document</li> <li>Modify at 2.5.10, “APP Entry RD/WR Enable” =&gt; “APP Entry(0xFFF7 ~ 0xFFFF) RD/WR Enable” (P.40)</li> <li>Deleted “tri-state signals in I/O pins at 3 I/O Ports”</li> </ol> |
| Ver.0.9.3      | Feb. 2010 | Modify “XTLP0 and XTLP1 explanations at 1.4.2.5 Interrupt/Clock”(P.19)                                                                                                                                                                                                               |
| Ver.0.9.4      | Apr. 2010 | <ol style="list-style-type: none"> <li>Modify “Sn_IMR initial value 0x00 =&gt; 0xFF”</li> <li>Added “INTLEVEL register to TCPIP Core common register at 8.2.1 Common Register” (P.74)</li> </ol>                                                                                     |
| Ver.0.9.5      | May. 2010 | Deleted “PPPoE protocol cause of errata”                                                                                                                                                                                                                                             |
| Ver.0.9.6      | Jan. 2011 | <ol style="list-style-type: none"> <li>Added “at 2.5 SFR definition and PPPoE function at 1.3.2 TCIPCore” (P.34, P.14)</li> <li>Modify “GPIO in/out voltage for revision for W7100A at 10.1 Absolute Maximum Ratings” (P.137)</li> </ol>                                             |
| Ver.1.0.0      | Mar. 2011 | <ol style="list-style-type: none"> <li>Deleted “information about external memory accessing”</li> <li>Added “64pin number information at 1.4.2 Pin Description” (P.17)</li> </ol>                                                                                                    |
| Ver.1.1.0      | May. 2011 | Define “voltage of OSC (clock source) input”(P.141)                                                                                                                                                                                                                                  |
| Ver.1.1.1      | May. 2011 | <ol style="list-style-type: none"> <li>Modify “Pin Layout(nWR, nRD) at 1.4.1 Pin Layout” (P.16)</li> <li>Added “at 1.4.2.6 GPIO” (P.20)</li> <li>Added “at 1.4.2.7 External Memory” (P.21)</li> </ol>                                                                                |
| Ver.1.1.2      | May. 2011 | Corrected “GPIO pull-up, pull-down resistor value at 4.1 I/O Port” (P.48)                                                                                                                                                                                                            |

|            |           |                                                                                                                                                                                                                                                                                                                                                  |
|------------|-----------|--------------------------------------------------------------------------------------------------------------------------------------------------------------------------------------------------------------------------------------------------------------------------------------------------------------------------------------------------|
| Ver.1.1.3  | Nov. 2011 | Modify “VCC3V3 power supply signal descriptions (KR) at <b>1.4.2.10 Power supply signal</b> ” (P.22)                                                                                                                                                                                                                                             |
| Ver.1.1.4  | Jan. 2012 | <ol style="list-style-type: none"> <li>Added “product endurance at W7100A Features at <b>1.2 W7100A Features</b>” (P.11)</li> <li>Added “recommendation note at <b>2. Memory</b>” (P.26)</li> <li>Modify “pin number of PLOCK in table at <b>1.4.2.1 configuration</b>“ (P.18)<br/>(table 1.4.2.1, add the QFN64 pin number of PLOCK)</li> </ol> |
| Ver.1.1.5  | May. 2012 | Modify “ <b>Table 2.2 WTST Register Values of WTST at 2.5.2 Program Code Wait States Register</b> ” (P.34)<br>(The access time of WTST[2:0] values ‘3’ changed to ‘Not Used’)                                                                                                                                                                    |
| Ver. 1.1.6 | Jun. 2012 | <ol style="list-style-type: none"> <li>Modify “description of <b>Figure 2.14 at 2.5.2 Program Code Wait States Register</b>” (P.34)</li> <li>Modify “WTST value ‘3’ changed to ‘4’ at <b>2.5.2 Program Code Wait States Register</b>” (P.34)</li> </ol>                                                                                          |
| Ver. 1.2.0 | Sep. 2012 | <ol style="list-style-type: none"> <li>Modify “<b>Figure 2.6 and 2.7 at 2.3.1 Standard 8051 Interface</b>” (according to the W7100A errata sheet (erratum 3)) (P.31)</li> <li>Added “recommendation note of erratum 3 at <b>2.3.1 standard 8051 interface</b>” (P.30)</li> </ol>                                                                 |
| Ver. 1.2.1 | Jan. 2013 | <ol style="list-style-type: none"> <li>Added “<b>Figure 4.1 Port0 Pull-down register at 4 I/O port</b>”(P.48)</li> <li>Modify “<b>Table at 10.2 DC Characteristics</b>” (P.141)<br/>(Add the <math>I_{kg}</math>(leakage), and <math>I_{OZ}</math>, Modify the <math>V_{OH}</math> and <math>V_{OL}</math>)</li> </ol>                           |
| Ver. 1.2.2 | Jun. 2013 | 1. Added “recommendation of watchdog timer interrupt at <b>7.4 Simple Timer</b> ”(P.69)                                                                                                                                                                                                                                                          |
| Ver. 1.2.3 | May. 2014 | 1. Added Pull-up, Pull-down information of some pins (P.17~19)                                                                                                                                                                                                                                                                                   |
| Ver. 1.2.4 | Nov. 2015 | 1. Modify “pin name of P0.5 at <b>1.4.2.6 GPIO</b> ” (P.20)                                                                                                                                                                                                                                                                                      |
| Ver. 1.2.4 | Jul. 2016 | Add to item of Crystal Characteristics (P.143)                                                                                                                                                                                                                                                                                                   |

- Period jitter
  - Cycle-to-cycle jitter
  - Long-term jitter
  - Clock duty cycle
- 

## Copyright Notice

Copyright 2013 WIZnet Co.,Ltd. All Rights Reserved.

Technical Support: [support@wiznet.co.kr](mailto:support@wiznet.co.kr)

Sales & Distribution: [sales@wiznet.co.kr](mailto:sales@wiznet.co.kr)

For more information, visit our website at <http://www.wiznet.co.kr>