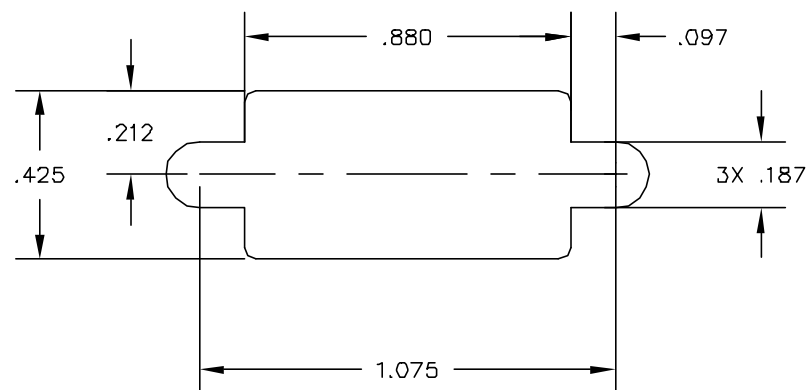
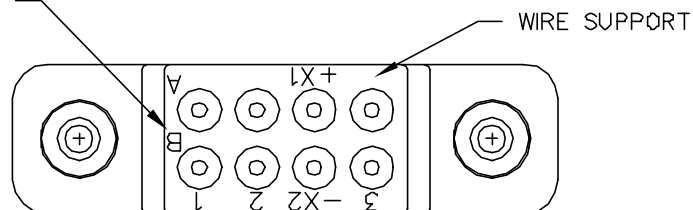
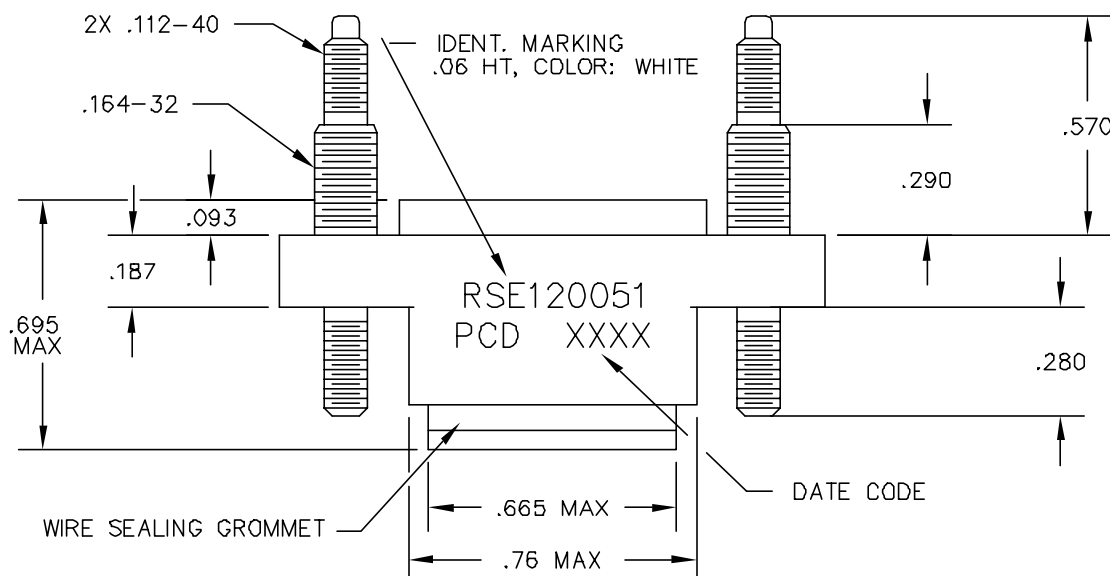
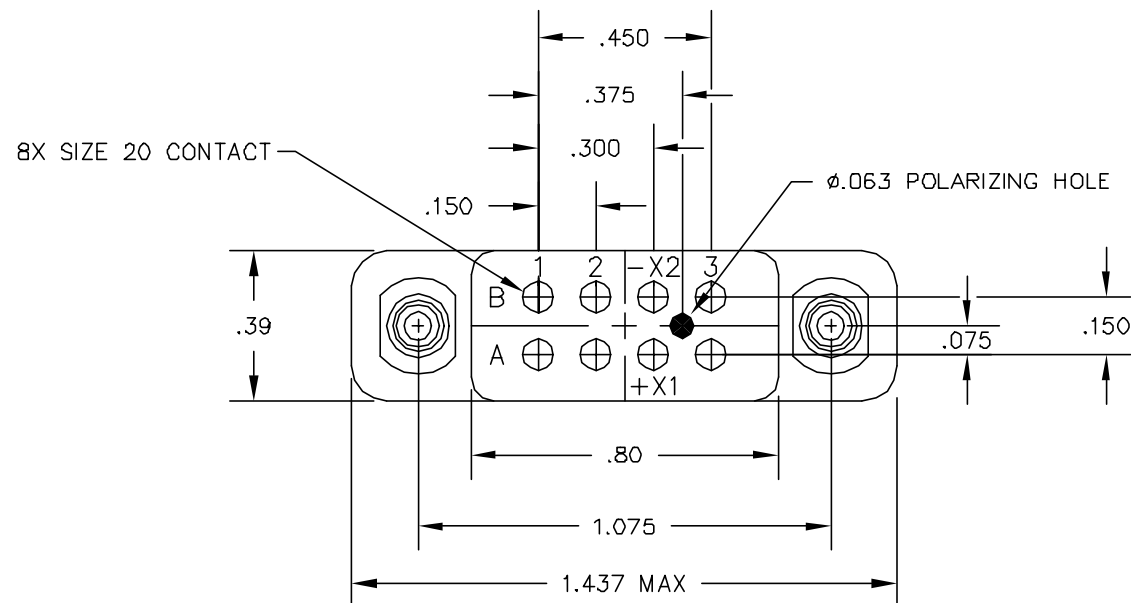
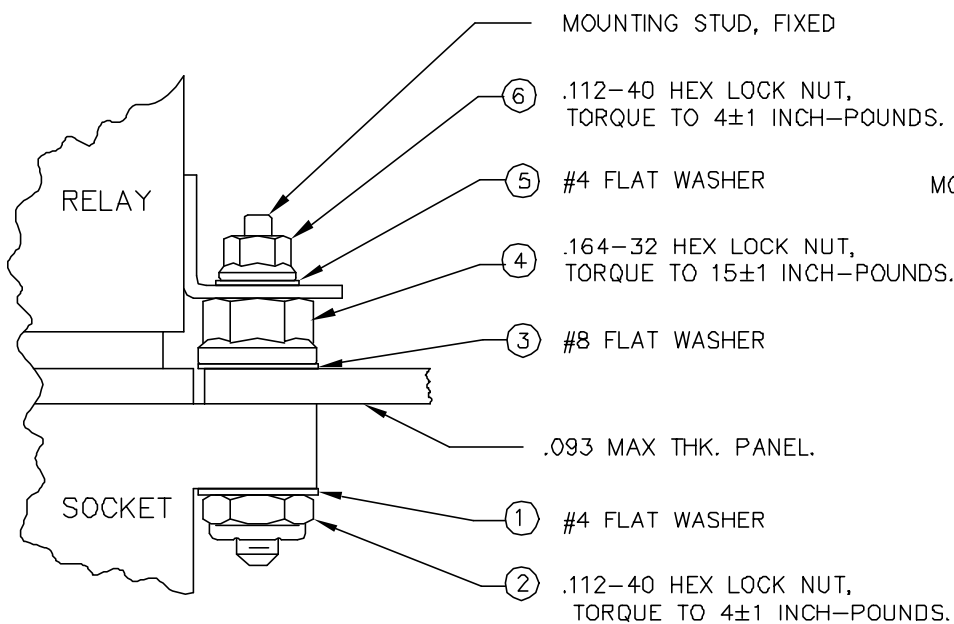


REV	ECN	APP'D
L	3629	
M	5430	
N	5579	

BILL OF MATERIAL		
P/N	DESCRIPTION	QTY
200002701	HEX NUT DLF LKG 4-40 #501	2
200003801	HEX NUT SLF LKG #4-40 #704	2
200001201	HEX NUT SLF-LKG 8-32	2
200002801	FLT WASHER #4 PSVTD #504	2
200004001	FLT WASHER # 8 PSVTD #501	2
200000401	FLT WSHR #4 SPCL #708	2
005111400	3.5"DRAM UNCAPPED VIAL/CAP	1
CNS070900	M39029/22-192 CONTACT SZ20/20	8



RECOMMENDED MOUNTING PANEL HOLE



MOUNTING HARDWARE

INSTALLATION SEQUENCE BY ITEM NUMBER  
TYP 2 PLACES

NOTES:

- CONFORMS TO PERFORMANCE REQUIREMENTS OF MIL-S-12883.
- MATERIALS:
  - A. HOUSING AND WIRE SUPPORT- POLYETHERIMIDE, COLOR: BLUE-GREEN.
  - B. GROMMET - SILICONE ELASTOMER, COLOR: RED.
- COMPLETE MOUNTING HARDWARE SUPPLIED.
- SOCKET CONTACTS SUPPLIED: (8) SZ 20/20, P/N CNS070900.
- OPERATING TEMPERATURE: +125°C/-65°C CONTINUOUS.
- CONTACT INSTALLATION TOOLS:
  - CRIMP TOOL: M22520/7-01
  - POSITIONER: M22520/7-12
  - INSERTION/REMOVAL: M81969/16-01.

DIMENSIONS	TOLERANCES	PROJECTION	SPECIFICATION DRAWING	TITLE		
ANSI Y14.5M UNITS: INCHES ACAD FILE	.XX ±.01 .XXX ±.005 ANGLES ±2°		ENGR A. PATRIE 8/13/97	RELAY SOCKET 2 POLE, 5 AMP 8 POS, SIZE 20		
ORIGINAL	THIS DOCUMENT CONTAINS PROPRIETARY INFORMATION WHICH IS THE CONFIDENTIAL PROPERTY OF PCD, INC. PEABODY, MA, USA	CHKD J. RUTKOWSKI 8/13/97	SIZE B	DWG NO. RSE120051	REV N	
		APPD J.E. CAHALY 8/14/97	CODE: 58982	SCALE: 2X	SHEET 1 OF 1	