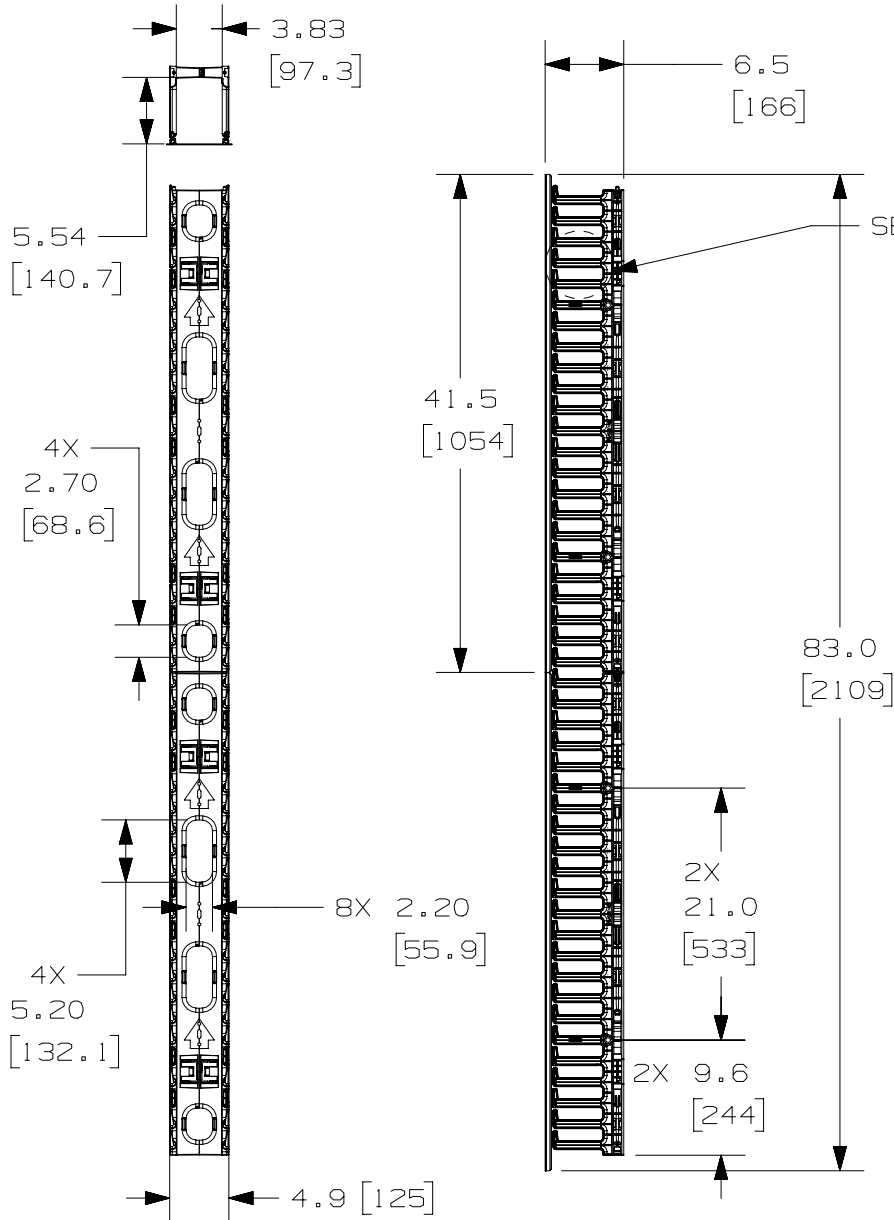


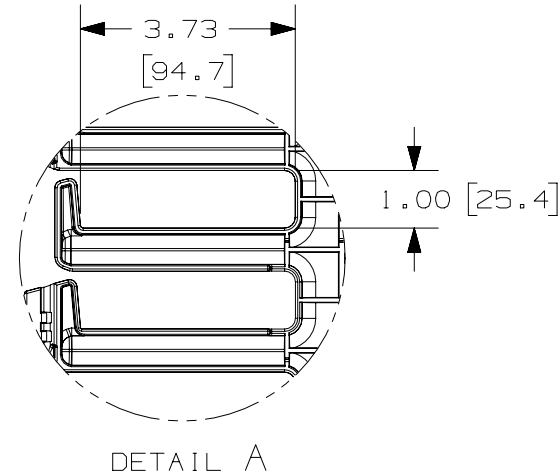
THIS COPY IS PROVIDED ON A RESTRICTED BASIS AND IS NOT TO BE USED IN ANY WAY DETRIMENTAL TO THE INTERESTS OF PANDUIT CORP.



PANDUIT P/N	WEIGHT
WMPVF45E	14.0 LBS/EACH 6.35 Kg/EACH

NOTES:

- VISIT OUR ON-LINE CATALOG AT [WWW.PANDUIT.COM](http://WWW.PANDUIT.COM) FOR A CURRENT LIST OF PRODUCTS APPLICABLE FOR USE WITH THIS PART.
- COMPONENTS:  
2- 22.5RU CABLE MANAGEMENT SECTIONS  
2- 41.5" DUAL HINGE COVERS  
4- MOUNTING BRACKETS  
8- #12-24 X 1/2" SCREWS
- DIMENSIONS IN PARENTHESES ARE METRIC.

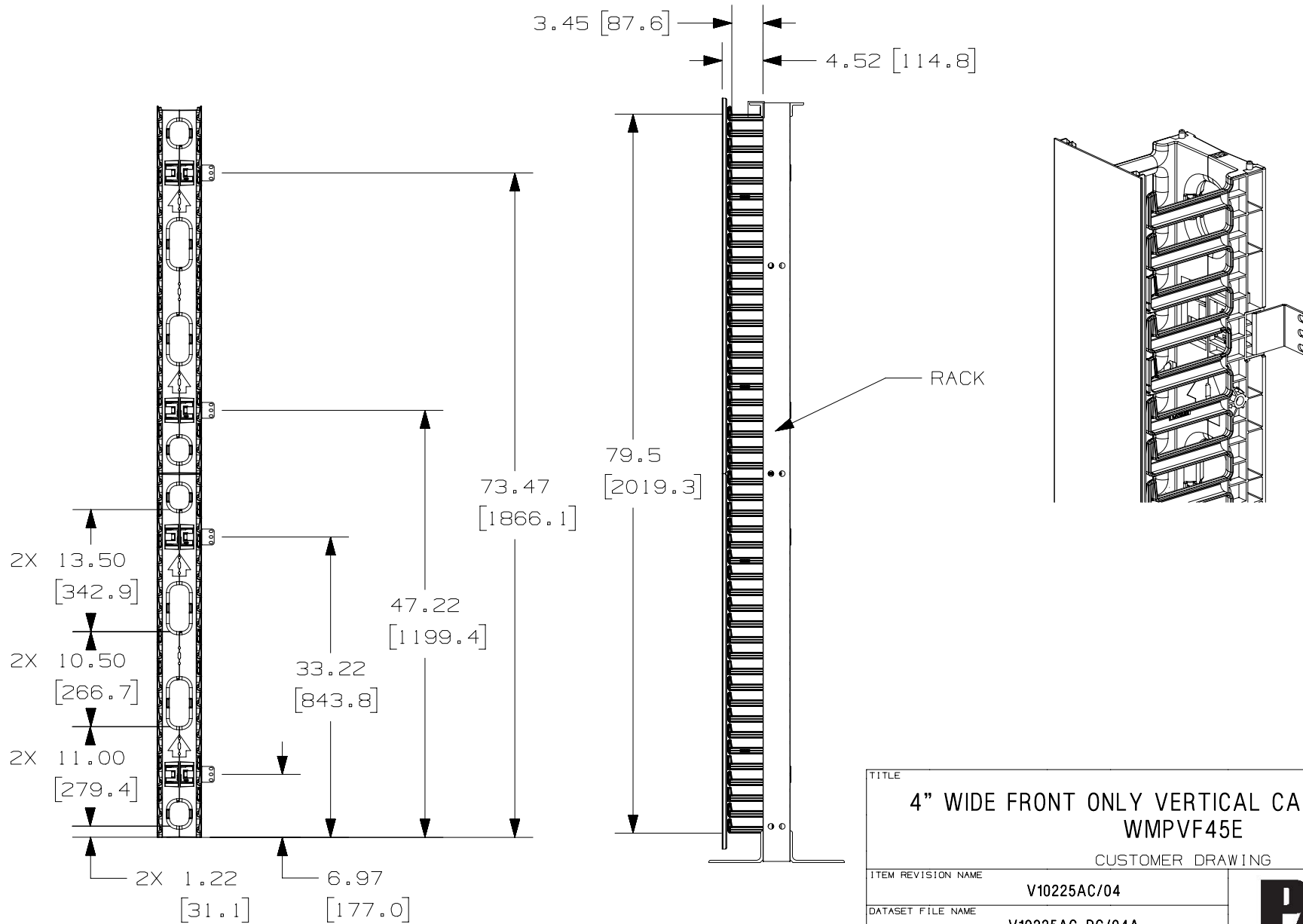


TITLE	
<b>4" WIDE FRONT ONLY VERTICAL CABLE MANAGER WMPVF45E</b>	
CUSTOMER DRAWING	
ITEM REVISION NAME	V10225AC/04
DATASET FILE NAME	V10225AC_DC/04A
UNLESS OTHERWISE SPECIFIED, DIMENSIONAL TOLERANCES ARE: IN (mm)	
.X ±	.XXX ±
.XX ±	ANGLES ±
THIRD ANGLE PROJECTION	
MATERIAL:	
CABLE MANAGER- ABS COVER- PVC	
DRAWING NUMBER:	
10225-24	
DRAWN BY	DATE
JDWE	3-15-05
CHK	SCALE
TCK	NONE
SHT 1 OF 2	
SIZE A	

REV	DATE	BY	CHK	APR	DESCRIPTION	ECN
04A	3-30-15	TWV	MACA	KRKE	REMOVED CABLE RETAINERS. REVISED NOTES.	10225-24
03A	6-4-13	BAME	FGR	CMK	REVISED AND REDRAWN; ALL PREVIOUS REVS OMITTED REVISED TITLE BLOCK	10225-24

D10100DA/15

THIS COPY IS PROVIDED ON A RESTRICTED BASIS AND IS NOT TO BE USED IN ANY WAY DETRIMENTAL TO THE INTERESTS OF PANDUIT CORP.



TITLE		4" WIDE FRONT ONLY VERTICAL CABLE MANAGER WMPVF45E	
CUSTOMER DRAWING			
ITEM REVISION NAME	V10225AC/04	<b>PANDUIT</b>	
DATASET FILE NAME	V10225AC_DC/04A		
UNLESS OTHERWISE SPECIFIED, DIMENSIONAL TOLERANCES ARE: IN (mm)		MATERIAL:	
.X ± .XX ±		CABLE MANAGER- ABS COVER- PVC	
.XXX ± ANGLES ±		DRAWING NUMBER:	
THIRD ANGLE PROJECTION		10225-24	
DRAWN BY	DATE	CHK	SCALE
JDWE	3-15-05	TCK	NONE
DESCRIPTION		SHT 2 OF 2	
ECN		A	

REV	DATE	BY	CHK	APR	DESCRIPTION	ECN
04A	3-30-15	TWV	MACA	KRKE	SEE SHEET 1 OF 2 FOR REVISIONS	10225-24
03A	6-4-13	BAME	FGR	CMK	SEE SHEET 1 OF 2 FOR REVISIONS	10225-24

D10100DA/15