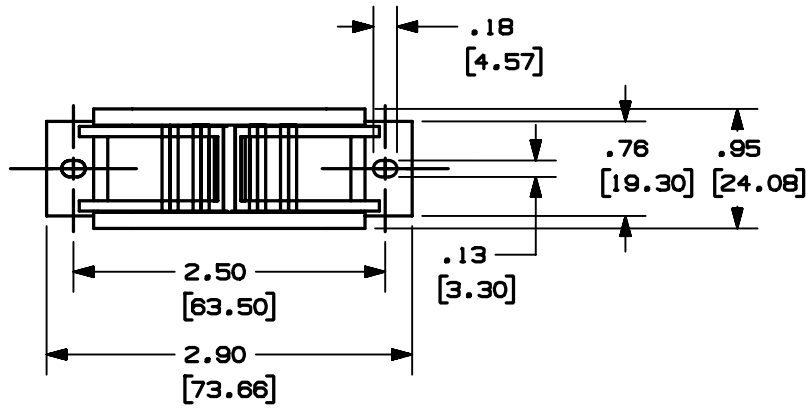
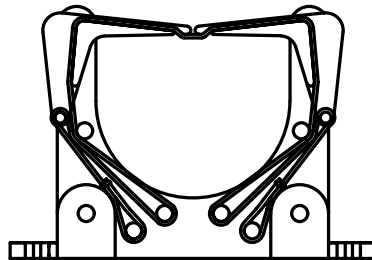
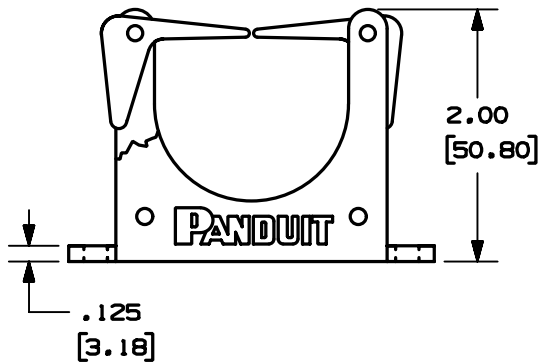


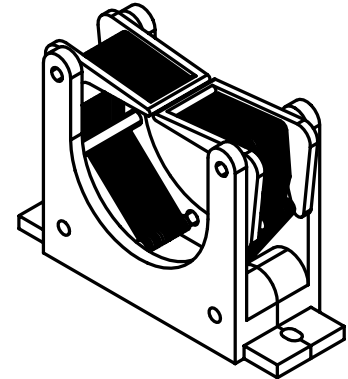
THIS COPY IS PROVIDED ON A RESTRICTED BASIS AND IS NOT TO BE USED IN ANY WAY DETRIMENTAL TO THE INTERESTS OF PANDUIT CORP.



PANDUIT * PART NO.	RECOMMENDED FASTENER	WEIGHT lbs / 100 (g) / pcs
ER1.25-E4-__	#4 SCREW	5.3 (2404)



CUTAWAY FRONT VIEW
SHOWING ELASTIC BAND



NOTES:

- SEE CURRENT PRICE SHEET FOR PART NUMBER SUFFIX DESIGNATION FOR PACKAGE SIZE.
- ELASTIC RETAINER AUTOMATICALLY FORMS AROUND BUNDLES OF WIRE AS THEY ARE INSERTED.
- CAPACITY: THIS BUNDLE RETAINER WILL ACCEPT:
(A) A 1.25" DIAMETER OF INDIVIDUALLY PLACED WIRES
-or-
(B) AN APPROXIMATE 0.75" DIAMETER HARNESSSED BUNDLE OR OTHER SOLID OBJECTS.

DIMENSIONS IN BRACKETS ARE METRIC [mm]	
CAD FILENAME/LAYERS: G00239JU_PB_ER125E4_00	
PANDUIT CORP. TINLEY PARK, ILLINOIS	
ELASTIC RETAINER (ER1.25-E4-__)	
UNLESS OTHERWISE SPECIFIED, DIMENSIONAL TOLERANCES ARE: (.X) ±0.05 (1.3) (.XXX) ±0.010 (0.25) (.XX) ±0.02 (0.5) ANGLES ± 5°	UNLESS OTHERWISE SPECIFIED, ALL DIMENSIONS ARE GIVEN IN INCHES, THIRD ANGLE PROJECTION.
DRAWN BY JAD	MAT'L: PLASTIC FRAME, ELASTIC FABRIC BAND
DATE 11/4/02	SCALE 3/4
DRW'D	DWG NO. G00239JU Dwg SIZE A

REV	DATE	BY	CHK	DESCRIPTION	ECN	R	CUST	SUP
R	11/4/02	JAD		INITIAL RELEASE	G00239JU	R		