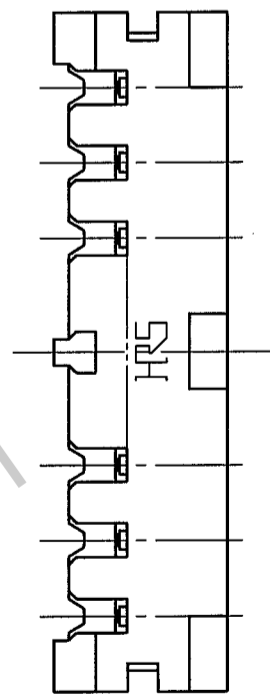
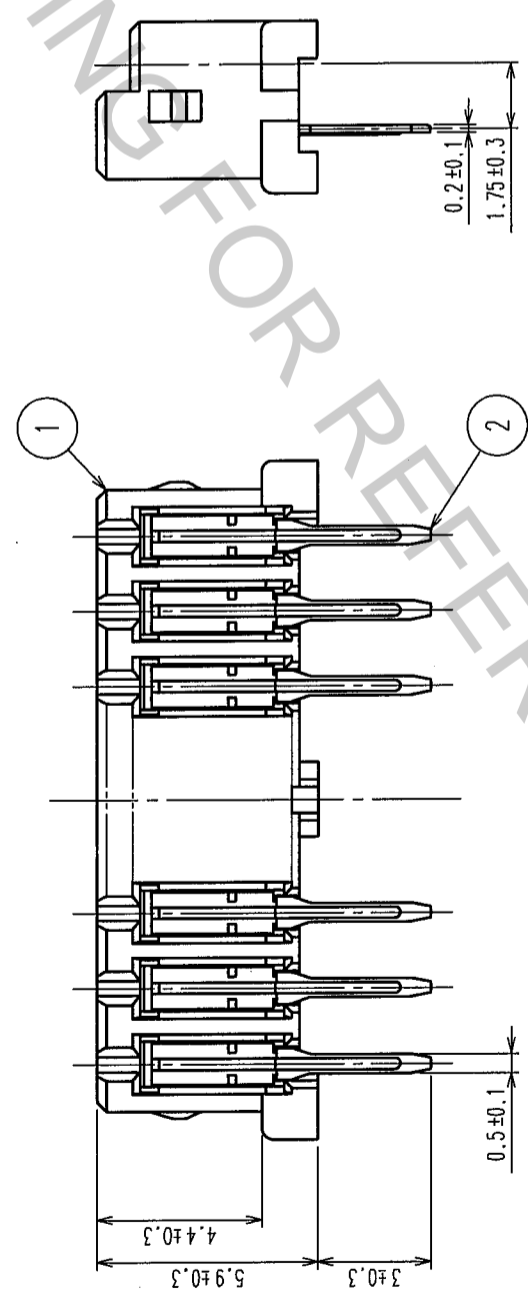
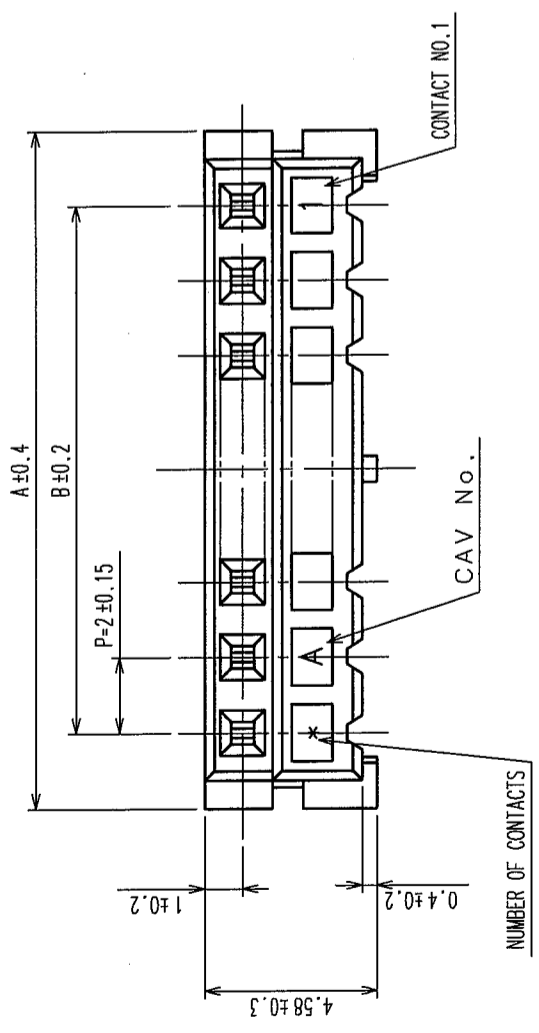
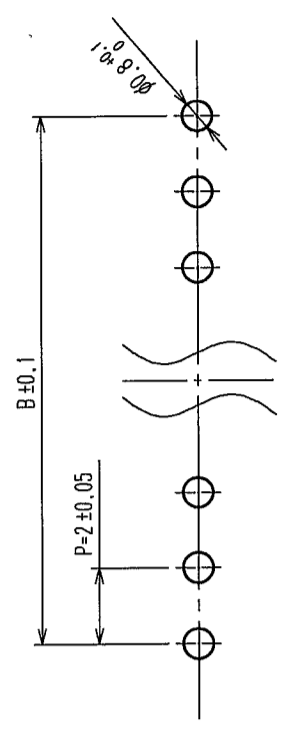


COUNT	DESCRIPTION OF REVISIONS	BY	CHKD	DATE	COUNT	DESCRIPTION OF REVISIONS	BY	CHKD	DATE
△					△				
△					△				
△					△				



RECOMMENDED PATTERN



CODE NO.	PART NO.	NUMBER OF CONTACT	A	B
CL543-0048-6-55	DF3-2S-2DSA(55)	2	6.0	2.0
CL543-0049-9-55	DF3-3S-2DSA(55)	3	8.0	4.0
CL543-0050-8-55	DF3-4S-2DSA(55)	4	10.0	6.0
CL543-0051-0-55	DF3-5S-2DSA(55)	5	12.0	8.0
CL543-0052-3-55	DF3-6S-2DSA(55)	6	14.0	10.0
CL543-0053-6-55	DF3-7S-2DSA(55)	7	16.0	12.0
CL543-0054-9-55	DF3-8S-2DSA(55)	8	18.0	14.0
CL543-0055-1-55	DF3-9S-2DSA(55)	9	20.0	16.0
CL543-0056-4-55	DF3-10S-2DSA(55)	10	22.0	18.0
CL543-0057-7-55	DF3-11S-2DSA(55)	11	24.0	20.0
CL543-0058-0-55	DF3-12S-2DSA(55)	12	26.0	22.0
CL543-0059-2-55	DF3-13S-2DSA(55)	13	28.0	24.0
CL543-0060-1-55	DF3-14S-2DSA(55)	14	30.0	26.0
CL543-0061-4-55	DF3-15S-2DSA(55)	15	32.0	28.0

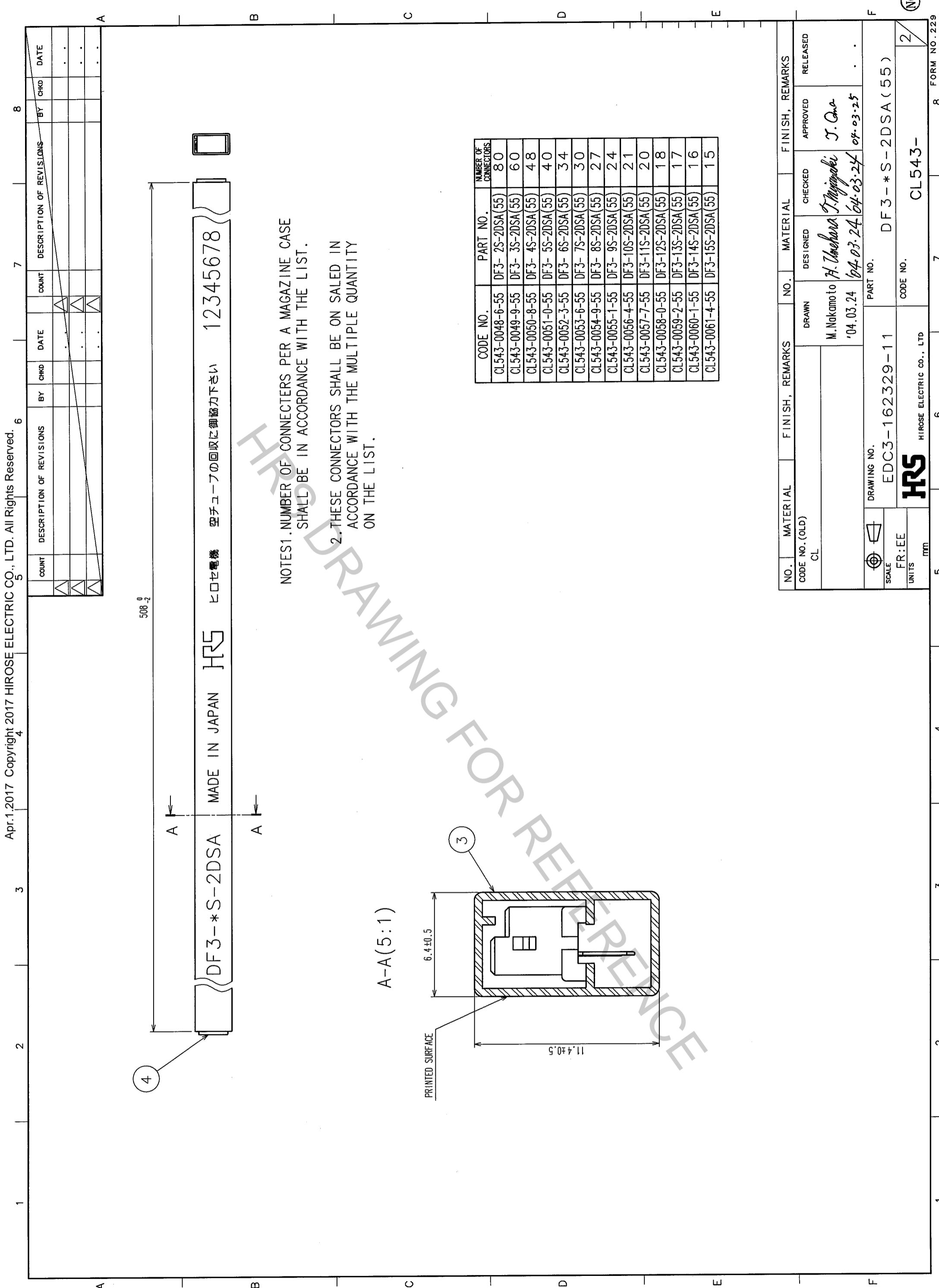
2	PHOSPHOR BRONZE	CONTACT AREA: GOLD PLATED 0.2μm min LEAD AREA: TIN PLATED 1μm min UNDER PLATING: NICKEL PLATED 1μm min	STOPPER
1	POLYAMIDE	UL94V-0 (BLACK)	ELECTROSTATIC PROTECTION, CLEAR

NO.	MATERIAL	FINISH, REMARKS	NO.	MATERIAL	FINISH, REMARKS
4	S. PVC		3	RIGID POLYVINYLCHLORIDE	

CODE NO. (OLD)	CL	DRAWN	M. Nakamoto	DESIGNED	H. Imehara	CHECKED	J. Miyajima	APPROVED	J. Oka	RELEASED	
SCALE	5 : 1	UNITS	mm	DATE	'04.03.24	DATE	'04.03.24	DATE	'04.03.25		

DRAWING NO.	EDC3-162329-11	PART NO.	DF3-*S-2DSA(55)
CODE NO.		CODE NO.	CL543-

TO	
----	--



508-2

12345678

空コンピュータの回収に御協力下さい



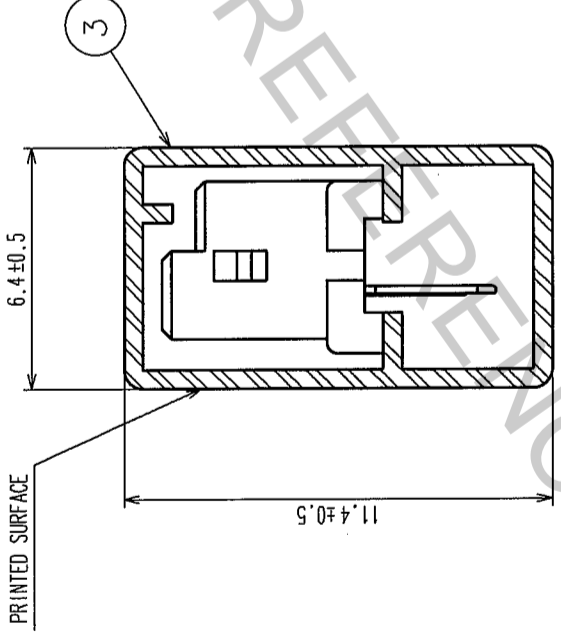
MADE IN JAPAN

DF3-*S-2DSA

NOTES 1. NUMBER OF CONNECTORS PER A MAGAZINE CASE SHALL BE IN ACCORDANCE WITH THE LIST.

2. THESE CONNECTORS SHALL BE ON SALED IN ACCORDANCE WITH THE MULTIPLE QUANTITY ON THE LIST.

A-A(5:1)



CODE NO.	PART NO.	NUMBER OF CONNECTORS
CL543-0048-6-55	DF3-2S-2DSA(55)	80
CL543-0049-9-55	DF3-3S-2DSA(55)	60
CL543-0050-8-55	DF3-4S-2DSA(55)	48
CL543-0051-0-55	DF3-5S-2DSA(55)	40
CL543-0052-3-55	DF3-6S-2DSA(55)	34
CL543-0053-6-55	DF3-7S-2DSA(55)	30
CL543-0054-9-55	DF3-8S-2DSA(55)	27
CL543-0055-1-55	DF3-9S-2DSA(55)	24
CL543-0056-4-55	DF3-10S-2DSA(55)	21
CL543-0057-7-55	DF3-11S-2DSA(55)	20
CL543-0058-0-55	DF3-12S-2DSA(55)	18
CL543-0059-2-55	DF3-13S-2DSA(55)	17
CL543-0060-1-55	DF3-14S-2DSA(55)	16
CL543-0061-4-55	DF3-15S-2DSA(55)	15

NO.		MATERIAL		FINISH, REMARKS		NO.		MATERIAL		FINISH, REMARKS	
CODE NO. (OLD)		DRAWN		DESIGNED		CHECKED		APPROVED		RELEASED	
CL		M. Nakamoto		H. Uehara		T. Nagayoshi		J. Ota			
		'04.03.24		'04.03.24		'04.03.24		'04.03.25			
DRAWING NO.		PART NO.		FINISH, REMARKS		FINISH, REMARKS		FINISH, REMARKS		FINISH, REMARKS	
EDC3-162329-11		DF3-*S-2DSA(55)		DF3-*S-2DSA(55)		DF3-*S-2DSA(55)		DF3-*S-2DSA(55)		DF3-*S-2DSA(55)	
SCALE		CODE NO.		CODE NO.		CODE NO.		CODE NO.		CODE NO.	
FR:EE		HRS		HRS		HRS		HRS		HRS	
UNITS		mm		mm		mm		mm		mm	

TO