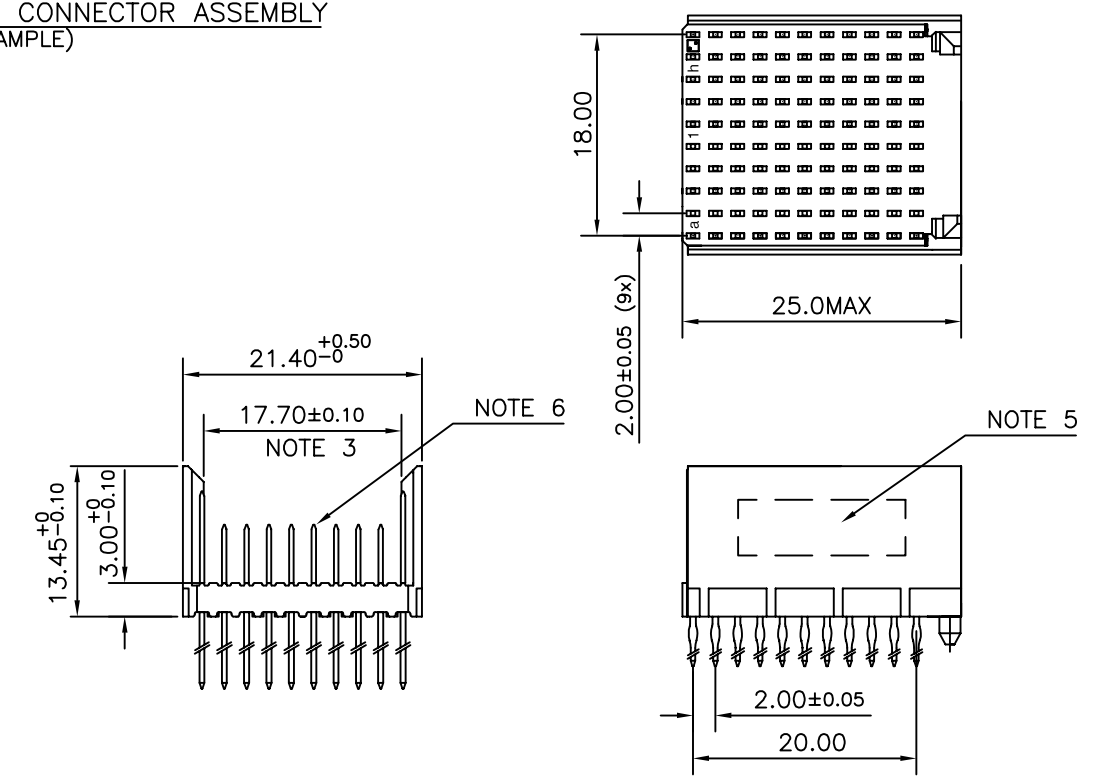


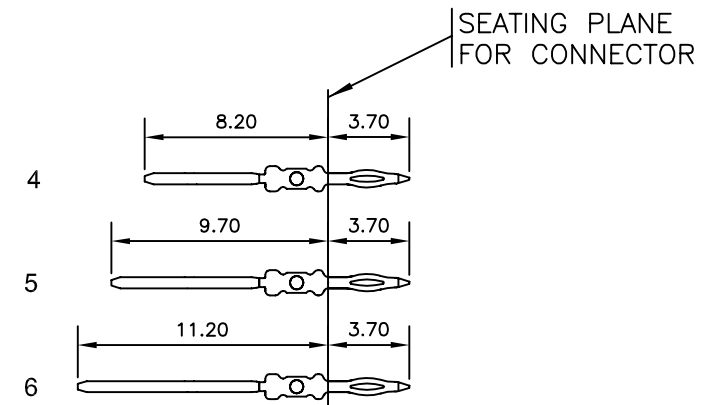
LOADING PATTERN MATING SIDE

y	6	6	6	6	6	6	6	6	6	6
h	5	5	5	5	5	5	5	5	5	5
g	5	5	5	5	5	5	5	5	5	5
f	5	5	5	5	5	5	5	5	5	5
e	5	5	6	5	5	5	5	5	5	5
d	5	6	6	5	5	5	5	5	5	5
c	5	6	6	5	5	5	5	5	5	5
b	5	6	6	5	5	5	5	5	5	5
a	4	5	5	5	5	5	5	5	5	5
z	6	6	6	6	6	6	6	6	6	6
POS	01			05						10

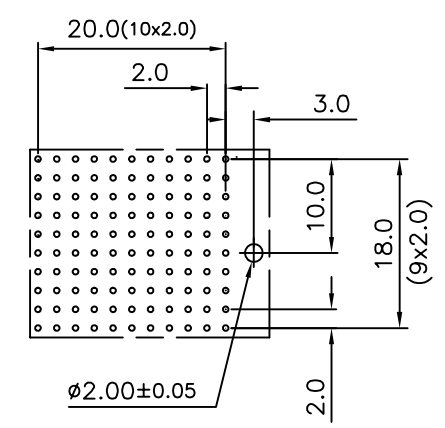
LOADED CONNECTOR ASSEMBLY (FOR EXAMPLE)



CONTACT OVERVIEW



LAY-OUT P.C.B.-HOLE



HM2P89PDH1J1 LEAD FREE INDICATOR : LF = LEAD FREE (DIGIT 15 & 16)  
PLATING CODE (DIGIT 13 AND 14)  
(REF DRW NO. BS,C , 201844 , 003)

NOTES

1. THIS PRODUCT IS CSA APPROVED.
2. THIS PRODUCT IS UL RECOGNIZED.
3. MEASURED AT THE BOTTOM.
4. MATERIAL CONTACT: PHOSPHORBRONZE  
HOUSING: CREAM WHITE GLASS FILLED POLYESTER UL-94V0
5. CONNECTOR PRINTED WITH P/N AND DATE CODE.
6. FOR ACTUAL CONTACT LOADINGS, SEE LOADING PATTERN MATING SIDE.
7. SHAPE OF CONNECTOR HOUSING CAN ALTER DEPENDING ON PRODUCTION LOCATION
8. THE PRODUCT (LF) MEETS EUROPEAN UNION DIRECTIVES AND OTHER COUNTRY REGULATIONS AS DESCRIBED IN GS-22-008
9. FOR RECOMMENDED PTH DIMENSIONS REFER DRAWING : BS, A , 201572 , 001

CATALOG NO: HM2P89PDH1J1----

mat'l. code SEE NOTE 4		surface ISO 1302 ✓	tolerance ISO 406 ISO 1101	projection 	product family MILLIPACS
ltr		ecn no	dr	date	tolerances unless otherwise specified
A	104-0025	MINI	2004/04/02		.0±0.2
B	105-0188	MINI	2005/10/13		.00±0.1
C	106-0090	MINI	2006/06/26		0°±1°
		dr	MINI K VANDANATH	2004/04/02	
		enr	BIJU K PAUL	2004/04/02	
		chr	BIJU K PAUL	2006/06/26	
		appd	BIJU K PAUL	2006/06/26	
sheet index	revision sheet	c	1		
		dwg no		sheet 1 of 1	size
		BS, C , 203028,124			A3
		type		Product Customer	Drawing