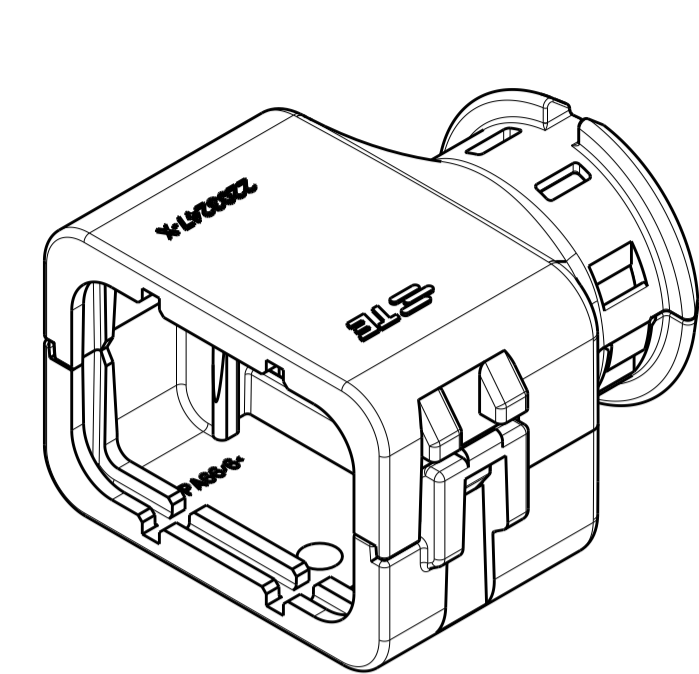
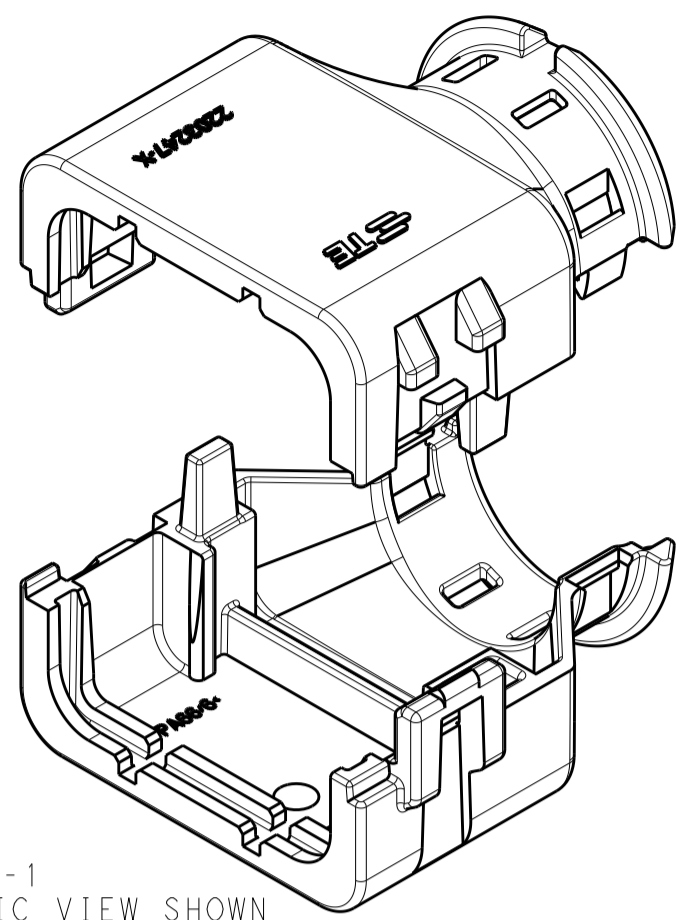


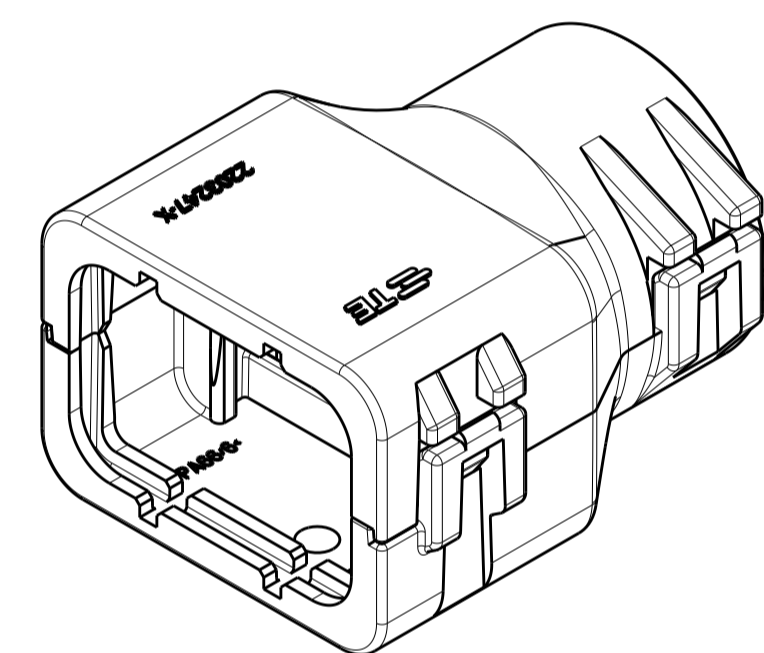
REVISIONS				
P.	LTN	DESCRIPTION	DATE	APVD
A1		REV PER ECO-16-008350	02JUN2016	JM RB
A2		REV PER ECO-16-013256	08SEP2016	JM RB



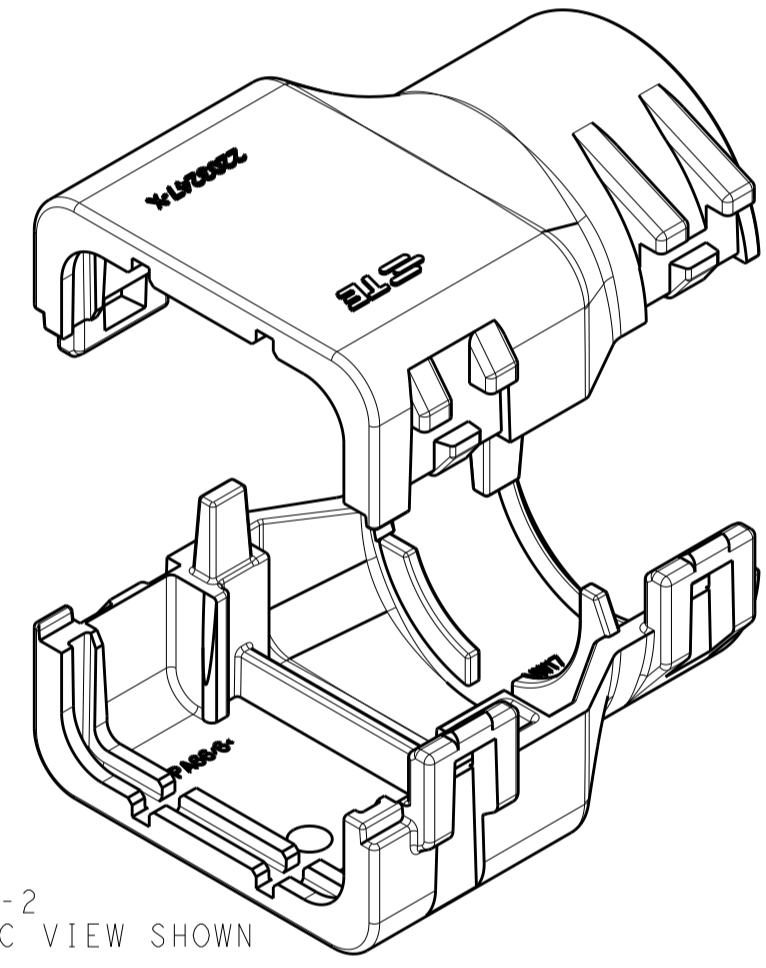
2292864-1
ASSEMBLED ISOMETRIC VIEW SHOWN



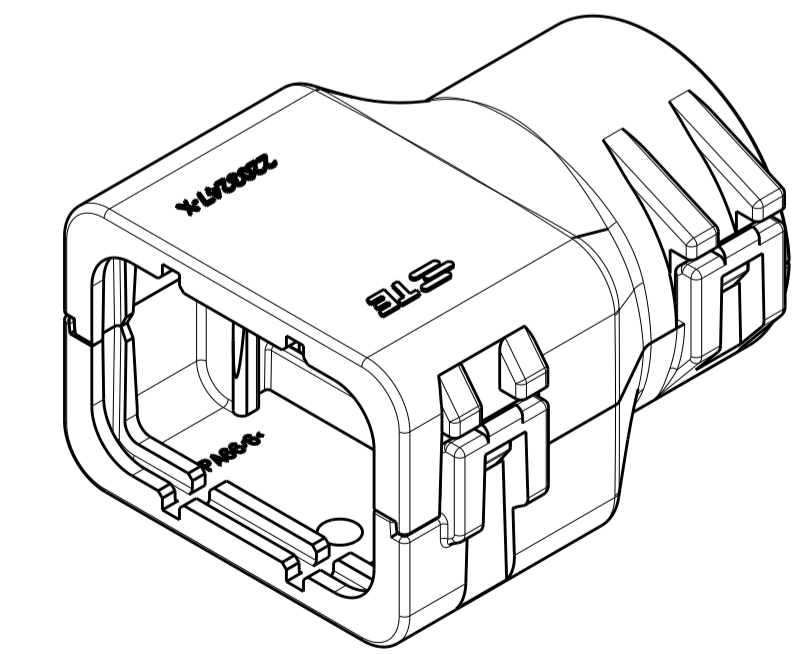
2292864-1
EXPLODED ISOMETRIC VIEW SHOWN



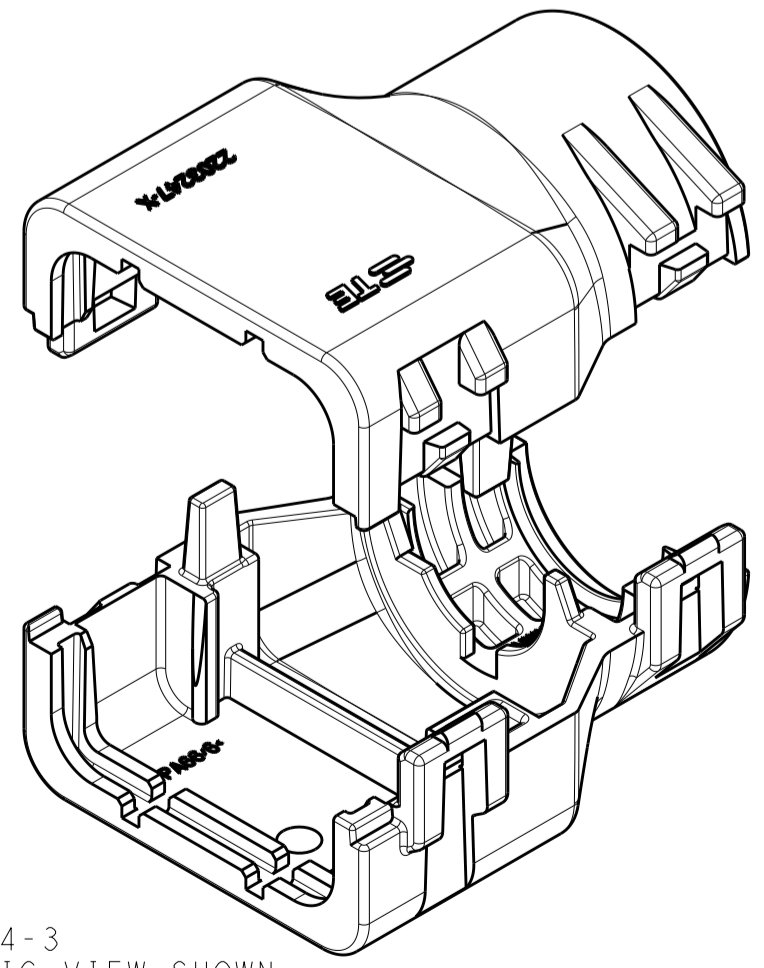
2292864-2
ASSEMBLED ISOMETRIC VIEW SHOWN



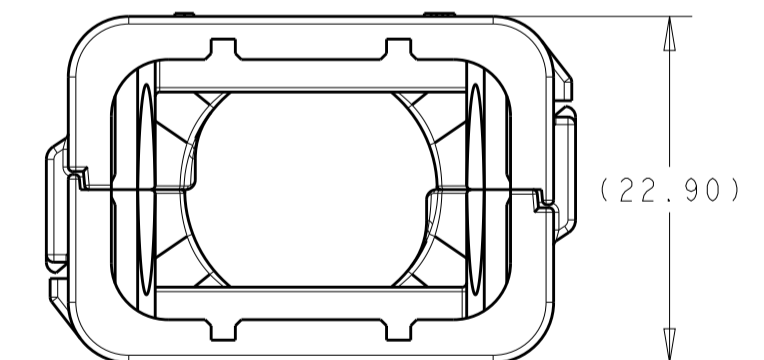
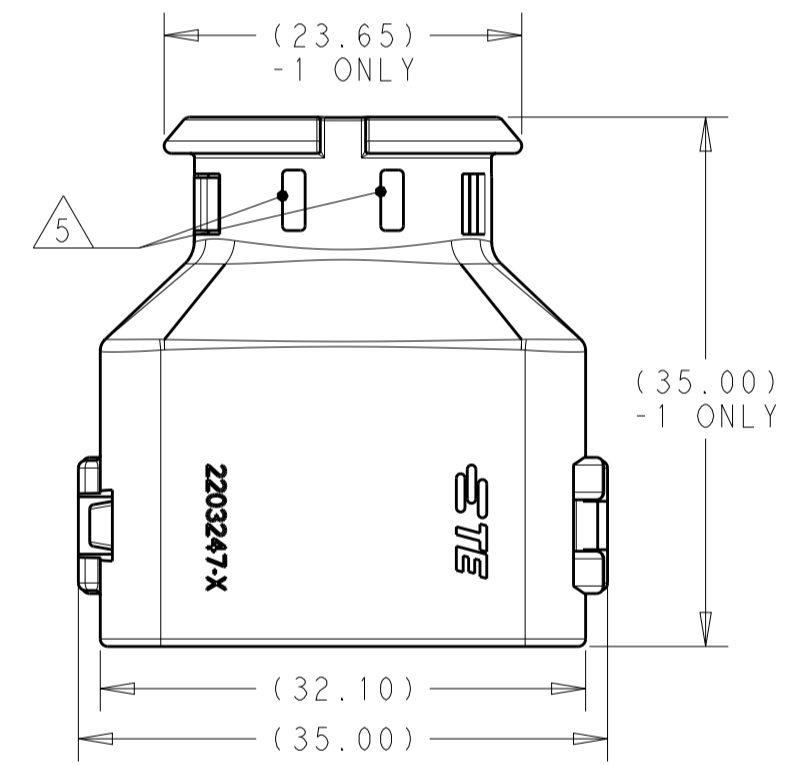
2292864-2
EXPLODED ISOMETRIC VIEW SHOWN



2292864-3
ASSEMBLED ISOMETRIC VIEW SHOWN

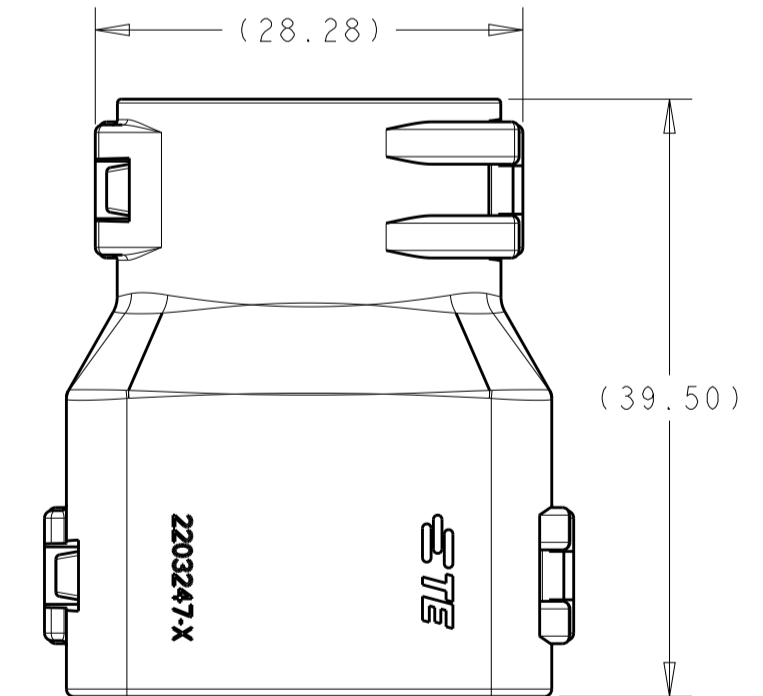
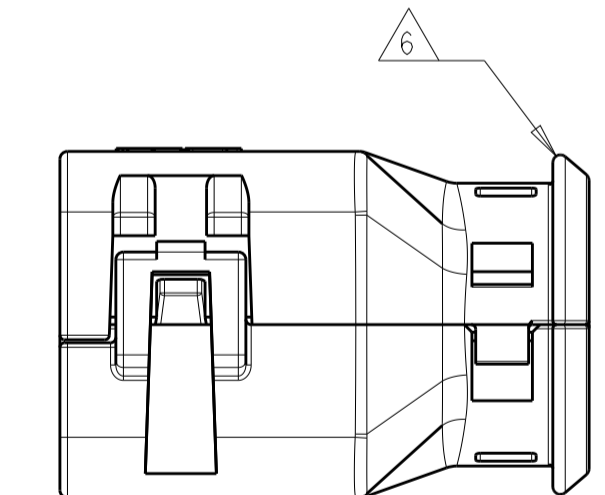


2292864-3
EXPLODED ISOMETRIC VIEW SHOWN



2292864-1
ASSEMBLED VIEW SHOWN

DIMENSIONS SHOWN TYPICAL FOR ALL PART NUMBERS ³
EXCEPT AS NOTED



2292864-2
ASSEMBLED VIEW SHOWN

DIMENSIONS SHOWN TYPICAL FOR -2 AND -3 ONLY ³

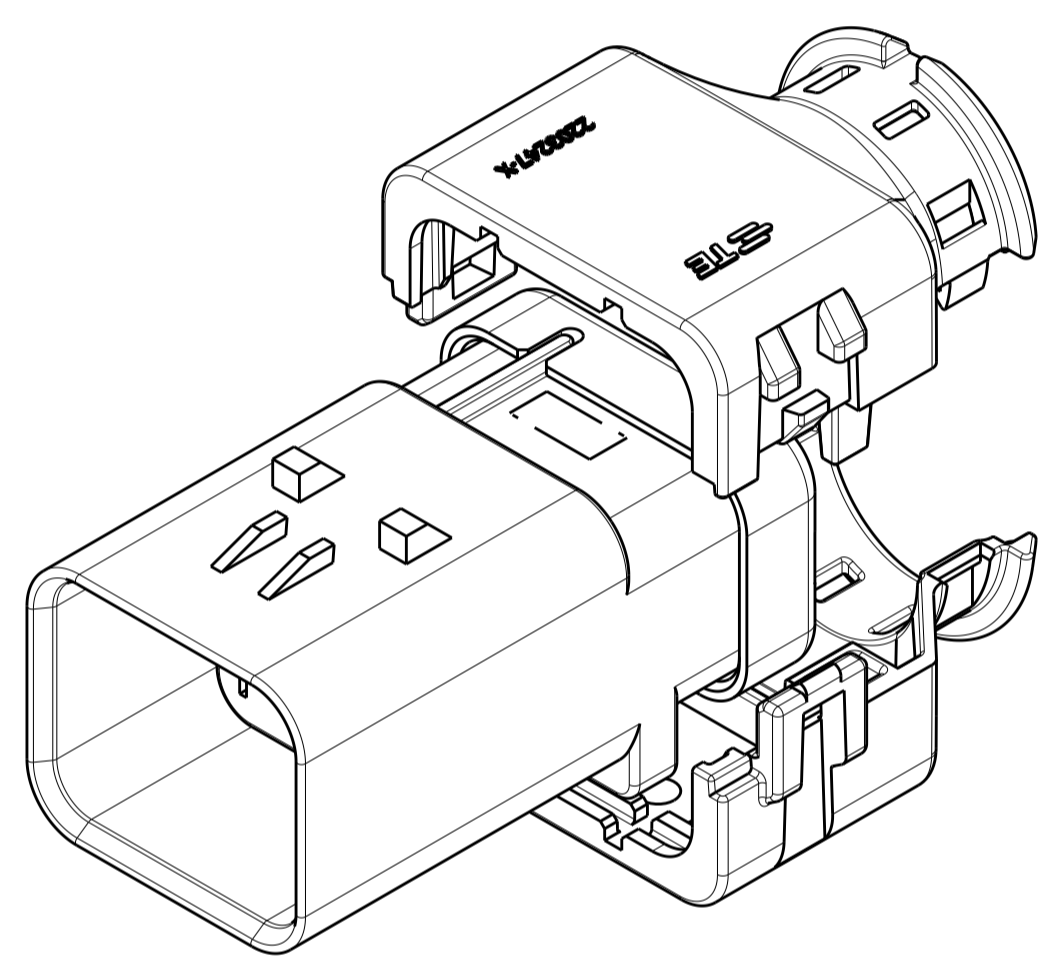
- ¹ MATERIAL: NYLON MOLDING COMPOUND, BLACK, PA66/6.
- ² BACKSHELL DESIGNED SUCH THAT TWO HALVES ATTACH TO ONE ANOTHER AND CLAMP AROUND THE CONNECTOR COVER.
- ³ DIMENSIONS TO BE MEASURED WHEN BACKSHELLS ASSEMBLED.
- ⁴ PRODUCT WEIGHTS:
2292864-1: 6.30g ASSEMBLED
2292864-2: 7.98g ASSEMBLED
2292864-3: 9.30g ASSEMBLED
- ⁵ 4mm WIDE SLOTS FOR TIE WRAP TO SECURE HARNESS WIRES (-1 ONLY).
- ⁶ HEAT SHRINK TUBING RETENTION FEATURE (-1 ONLY).
- 7. INSTRUCTION SHEET: 408-151043.
- 8. CONDUIT PROFILE: NORMAL ONLY.


776495-X	NC16	NW13	2292864-3
776538-X	NC20	NW17	2292864-2
	SMOOTH	SMOOTH	2292864-1
FITS ON CAP ASSY	CORREGATE NC	CORREGATE NW	PART NUMBER
	CONDUIT SIZE		

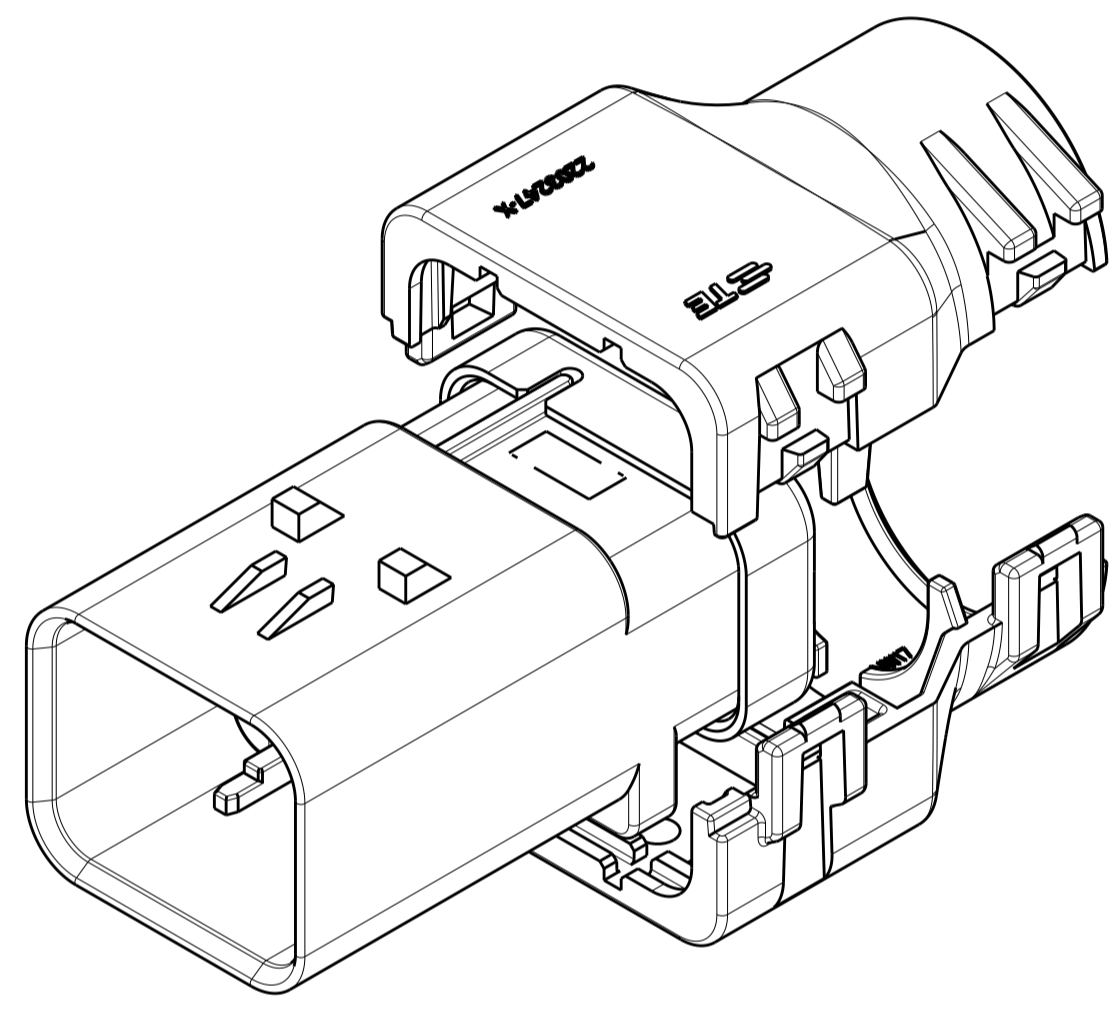
THIS DRAWING IS A CONTROLLED DOCUMENT.		OWN J. MCNEAL 19JUN2015		
DIMENSIONS: mm [INCHES]		CHK R. BALTER 19JUN2015		
TOLERANCES UNLESS OTHERWISE SPECIFIED:		APVD R. BALTER 19JUN2015	NAME BACKSHELL KIT, 8 POSITION, CAP ASSY AMPSEAL 16	
0 PLC ±	1 PLC ±	PRODUCT SPEC 108-151043	SIZE CAGE CODE DRAWING NO RESTRICTED TO	
2 PLC ±	3 PLC ±	APPLICATION SPEC	A100779C=2292864	
4 PLC ±	ANGLES ±	FINISH	WEIGHT ⁴ A100779C=2292864	
MATERIAL	FINISH	CUSTOMER DRAWING	SCALE 2:1 SHEET 1 OF 2 REV A2	


THIS DRAWING IS UNPUBLISHED. RELEASED FOR PUBLICATION 20
 © COPYRIGHT 20 BY - ALL RIGHTS RESERVED.

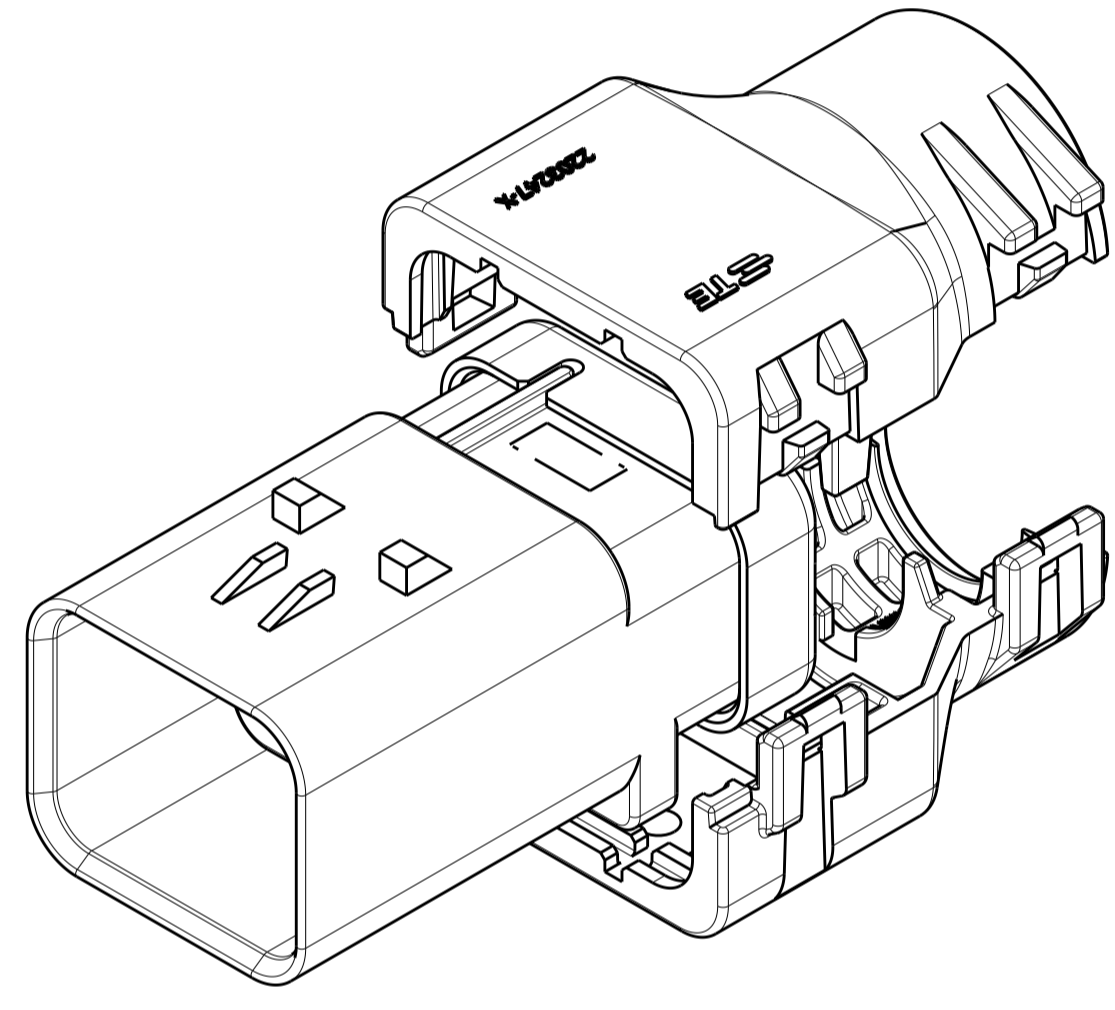
REVISIONS				
P.	LTN	DESCRIPTION	DATE	APVD
-		SEE SHEET 1	-	-





2292864-1
 WITH CAP ASSEMBLY 
 EXPLODED ISOMETRIC VIEW SHOWN



2292864-2
 WITH CAP ASSEMBLY 
 EXPLODED ISOMETRIC VIEW SHOWN



2292864-3
 WITH CAP ASSEMBLY 
 EXPLODED ISOMETRIC VIEW SHOWN

THIS DRAWING IS A CONTROLLED DOCUMENT.		DWN J MCNEAL 19JUN2015 CHK R BALTER 19JUN2015 APVD R BALTER 19JUN2015	 TE Connectivity
DIMENSIONS: mm [INCHES]	TOLERANCES UNLESS OTHERWISE SPECIFIED: 0 PLC ± 1 PLC ± 2 PLC ± 3 PLC ± 4 PLC ± ANGLES ±	NAME BACKSHELL KIT, 8 POSITION, CAP ASSY AMPSEAL 16 PRODUCT SPEC 108-151043 APPLICATION SPEC	
MATERIAL - FINISH -	WEIGHT - CUSTOMER DRAWING	SIZE A1 CAGE CODE 00779 DRAWING NO C=2292864	RESTRICTED TO - SCALE 2:1 SHEET 2 OF 2 REV A2